

8		7		6		5		4		3		2		1					
THESE DRAWINGS AND SPECIFICATIONS ARE THE PROPERTY OF JBL INCORPORATED THEY ARE ISSUED IN STRICT CONFIDENCE AND SHALL NOT BE REPRODUCED, COPIED, OR USED AS THE BASIS FOR MANUFACTURING OR SALE OF APPARATUS WITHOUT WRITTEN PERMISSION. ALL MATERIAL SPECIFIED ON THIS DRAWING SHALL COMPLY WITH EUROPEAN DIRECTIVE 2002/95/EC. RoHS										FL RF 6/7/07 SPZ		CHG LTR		DESCRIPTION		REVISIONS		DRFT CHK DATE APPR	
363902-001		OBSOLETE		34483		E		BILL OF MATERIAL: ADD NEW FAIRCHILD IGBT (#1GTP12N60A4D) AS AN EQUIVALENT OPTION TO THE EXISTING IR PART. THE REFERENCE DESIGNATORS ARE Q605 & Q606. * NOTE: AMP MUST HAVE IR PARTS OR FAIRCHILD PARTS. AMPS MUST NEVER HAVE AN IR PART OR FAIRCHILD PART MIXED TOGETHER.		33095		A		RELEASE FOR PRODUCTION		FL			
363902-002		AMP. ASSEMBLY, FR2-535								33201		B		SIGNAL BOARD CHANGES: REMOVED COMPONENTS: RESISTORS: R35, R31, R37, R32, R47, R52, R54, R48, R46, R19, R20, R15, R23, R27, R13, R40, R83, R124, R125 CAPACITORS: C35, C36, C32, C40, C16, C17, C22, C24, C30, C26 DIODES: D10, D4 TRANSISTORS: Q1, Q4 RELAYS: K1, K3 IC'S: U4, U6 NEW COMPONENTS: RESISTORS: R43, R44, R86, R82 COMPONENT VALUE CHANGES: R71 CHANGES TO 12.4K R56 CHANGES TO 374R R7 CHANGES TO 3.32K R134 CHANGES TO 33.2K		FL			
										33531		C		OBSOLETE -001, RELEASE -002 CHANGES FROM -001 TO -002 ARE AS FOLLOWS: 1. POWER SWITCH: FROM ARCOLECTRIC C1300AABB-IEC65 TO ARCOLECTRIC C1300AAAAS 2. CAPACITOR MAIN POWER AMP BOARD: VTECH 22-1472-71N01, 4700uF, 63V, 20% RAD (TEAPO LH063M470052T) TO VTECH 22-1472-71N01, 4700uF, 63V, 20% RAD 105°C (TEAPO LG063M470072T) 3. OP AMP, INPUT MODULE: U2 FROM OM-SEMI MC33078DR2G (VTECH 27-E085-00N00) TO TI TL072CD (VTECH 27-5114-03N00) 4. XLR CONNECTOR: SWITCHCRAFT PD3MS2 (VTECH 40-C578-00N00) TO SWITCHCRAFT E3MST (VTECH 40-C578-00N01), PLASTIC TO METAL BARREL XLR CONNECTOR 5. GERBER FILES, INPUT MODULE: REV H TO REV J. FIXED ERROR ON SWITCHCRAFT E3MST PINOUT, PINS 1 & 2 SWAPPED		FL CM 1/24/07 SL			
										34140		D		1. ADD 3 #8, .045" THICK, INTERNAL STAR LOCKWASHER BETWEEN THE CIRCUIT BOARD AND THE LONG CLAMPING BAR (PG. 4) 2. RIGHT ANGLE HEADER, ADD APPROVED COMPONENT FROM ALTERNATE MANUFACTURER. (METHODE P/N M640-H212-03-01W) 3. ADD SPARE FUSE IN THE IEC CONNECTOR HOLDER (VTECH P/N44-7548-00200, 250V, 5A)		FL			

1. REFERENCE CROWN PART NUMBER #138948

NOTES: (UNLESS OTHERWISE SPECIFIED)

UNCONTROLLED COPY

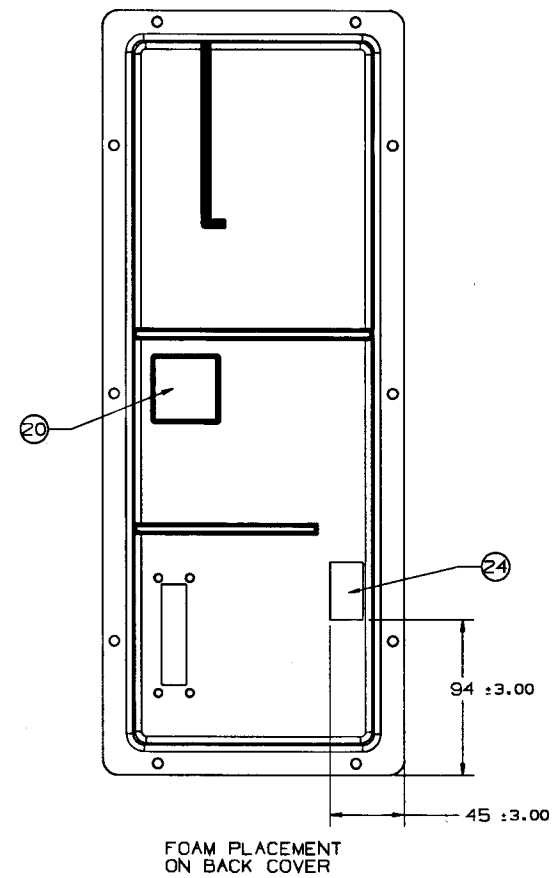
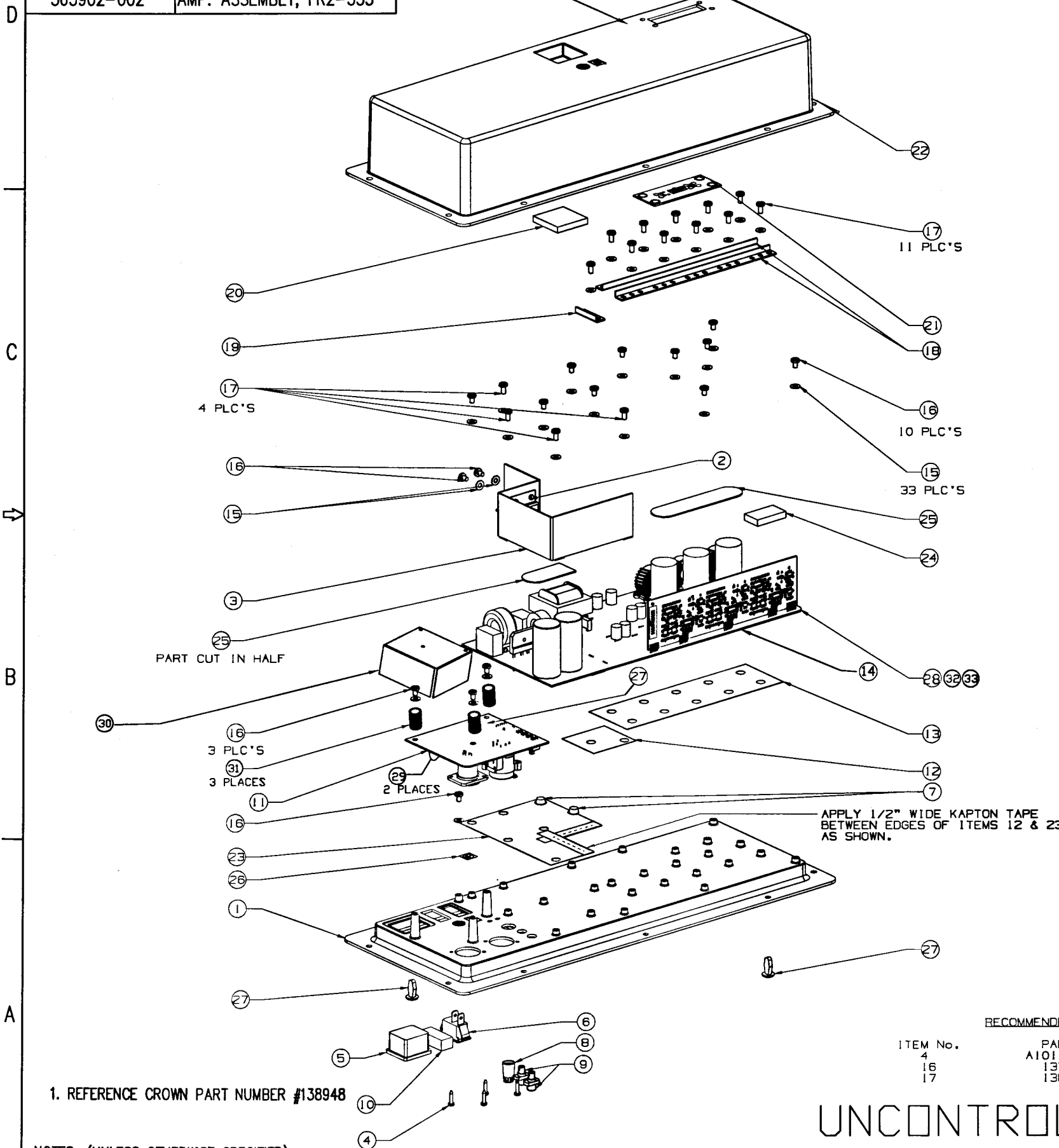
ITEM		PART NO.		DESCRIPTION		REMARKS/REF P/N'S	
TOLERANCES UNLESS OTHERWISE SPECIFIED		DRAWN BY		DATE		JBL Professional A Harman International Company Northridge, California 91328, U.S.A.	
.XXX ± .005 INCH		FL		11/07/06		TITLE	
.XX ± .010 INCH		DESIGNER		DATE		AMP. ASSEMBLY	
.X ± .020 INCH		ENGR		DATE		REV	
FRACTIONAL ± 1/32		THIRD ANGLE PROJECTION		SCALE		D 363902 E	
ANGULAR ± 30'		THIRD ANGLE PROJECTION		SCALE NTS		SHEET 1 OF 4	
MODELS		FR2-535					

THESE DRAWINGS AND SPECIFICATIONS ARE THE PROPERTY OF JBL INCORPORATED THEY ARE ISSUED IN STRICT CONFIDENCE AND SHALL NOT BE REPRODUCED, COPIED, OR USED AS THE BASIS FOR MANUFACTURING OR SALE OF APPARATUS WITHOUT WRITTEN PERMISSION.

ALL MATERIAL SPECIFIED ON THIS DRAWING SHALL COMPLY WITH EUROPEAN DIRECTIVE 2002/95/EC. **RoHS**

PART NO	DESCRIPTION
363902-002	AMP. ASSEMBLY, FR2-535

APPLY P/N AND S/N LABEL HERE



ITEM	QTY	DESCRIPTION	PART NO.
33	1	FERRITE SLEEVE	363646-001
32	-	DELETE	-
31	3	STAND-OFF'S	13-7102-00N00
30	1	AMP SHIELD	363143-001
29	2	LIGHTPIPES	362976-001
28	1	PWA, FR2 MODULATOR	138659-1
27	2	FASTENER, C.J2000D BUTTON	135678-1
26	1	LABEL, VDE EARTH GROUND	D 7037-1
25	1.5	COVER, DP3 4 CAP	138161-1
24	1	FOAM, MRX MODULATOR	139379-1
23	1	INSULATOR, MRX CHASSIS	139241-1
22	1	CHASSIS, MRX BOTTOM	362059-001
21	1	PWA, MRX SPEAKER INTERFACE	138927-1
20	1	FOAM, MRX XFMR SUPPORT	138941-1
19	1	CLIP, MRX IGBT	138556-1
18	2	CLIP, MRX TO-220	138555-1
17	15	SCREW, M4X8 PH(+)	138942-1
16	16	SCREW, M4X6 PH(+)	137892-1
15	31	WASHER, M4 CONICAL	137633-1
14	1	PWA, FR2 MAIN	138657-1
13	1	SILPAD, MRX	138525-1
12	1	SILPAD, MRX IGBT	138745-1
11	1	INPUT MODULE, FR2-535	363908-001
10	1	SWITCH, VOLTAGE SELECTOR	138539-1
9	2	PUSHBUTTON, .75 BEADED	363638-001
8	1	KNOB, XS PRODUCT	135957-1
7	2	BUMPER, .37DIA X .19H	133766-1
6	1	SWITCH, SPST FR HIGH INRUSH 20A	127146-1
5	1	IEC SNAP IN 15A UL/10A VDE	139258-1
4	4	SCREW, #4X.5 PH HD PH AB BZ	A10111-70408
3	1	SHIELD, MRX	138521-1
2	1	CLIP, MRX AMPLIFIER	138922-1
1	1	CHASSIS, MRX FRONT	362223-001
ITEM	QTY	DESCRIPTION	PART NO.

RECOMMENDED ASSEMBLY TORQUES

ITEM No.	PART No.	TORQUE SETTINGS
4	A10111-70408	5-6 IN LBS.
16	137892-1	9-11 IN LBS.
17	138942-1	9-11 IN LBS.

1. REFERENCE CROWN PART NUMBER #138948

NOTES: (UNLESS OTHERWISE SPECIFIED)

UNCONTROLLED COPY

ITEM	PART NO.	DESCRIPTION	REMARKS/REF P/N'S
TOLERANCES UNLESS OTHERWISE SPECIFIED: .XXX ± .005 INCH .XX ± .010 INCH .X ± .020 INCH FRACTIONAL ± 1/32 ANGULAR ± 30°			
DATE	04/04/06	DATE	04/04/06
DRWN BY		CHKD BY	
DESIGNER		DATE	
ENGR		DATE	
MODELS		THIRD ANGLE PROJECTION	
FR2-535			
DIMENSIONS ARE INCHES BREAK EDGES TO .005 MM ALL DIMENSIONS ARE FINISHED DIMENSIONS DO NOT SCALE DRAWING		JBL Professional A Harman International Company Northridge, California 91328, U.S.A.	TITLE AMP. ASSEMBLY
D	363902	E	2 of 4

8

7

6

5

4

3

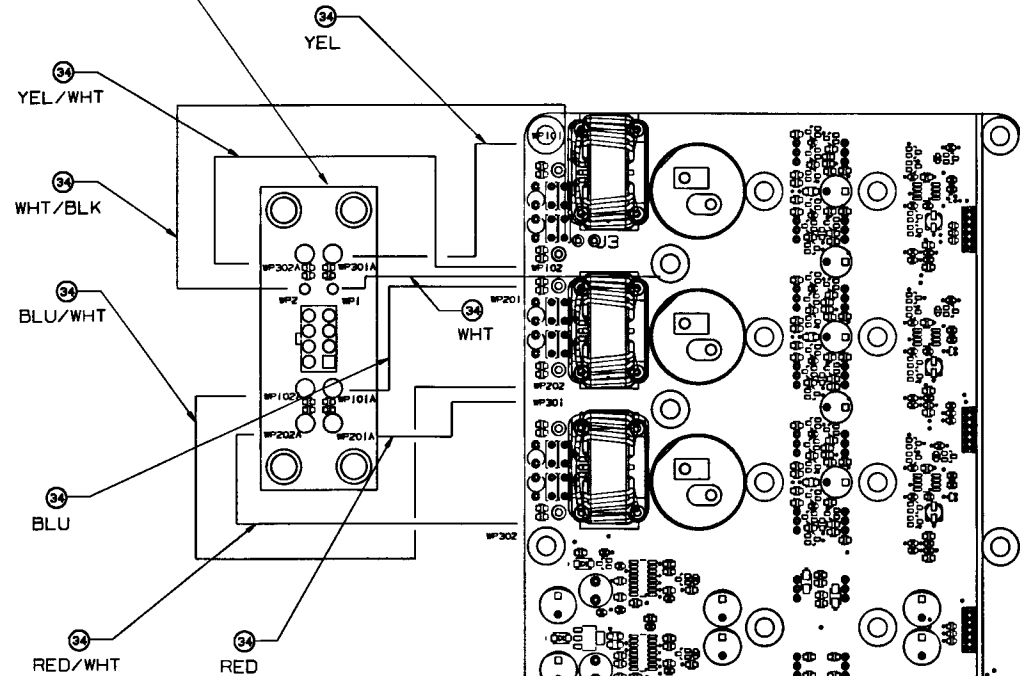
2

1

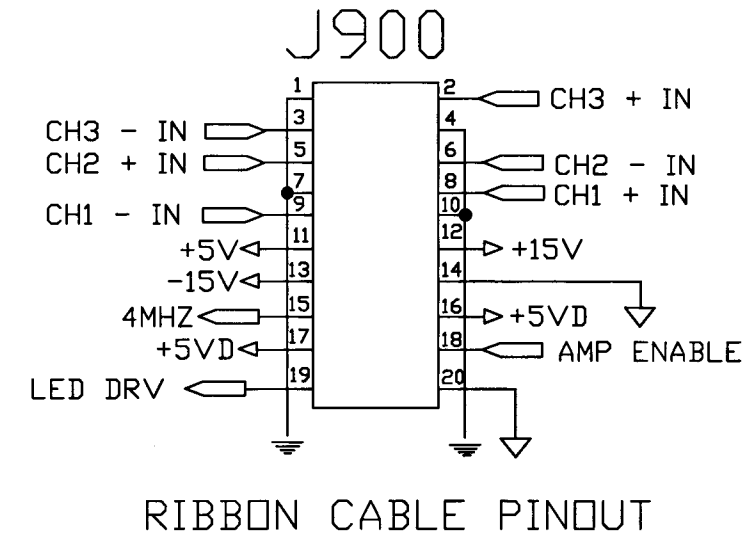
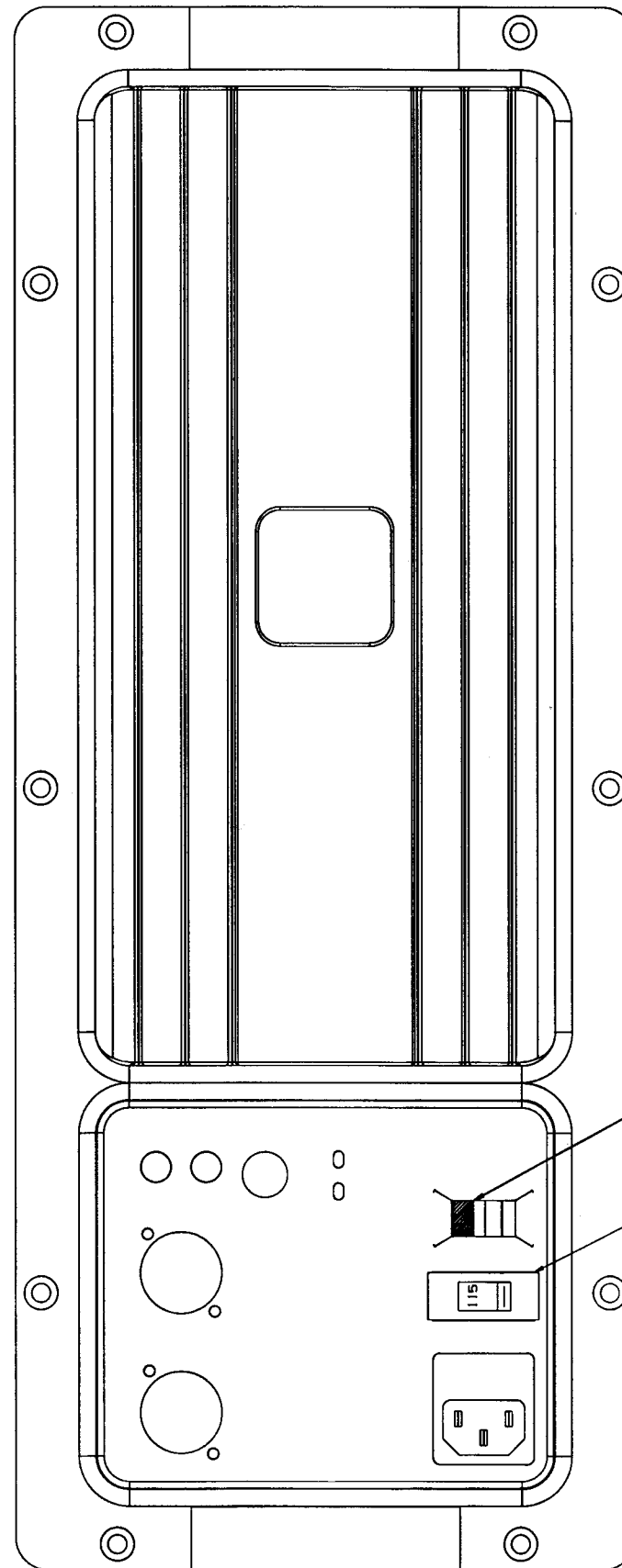
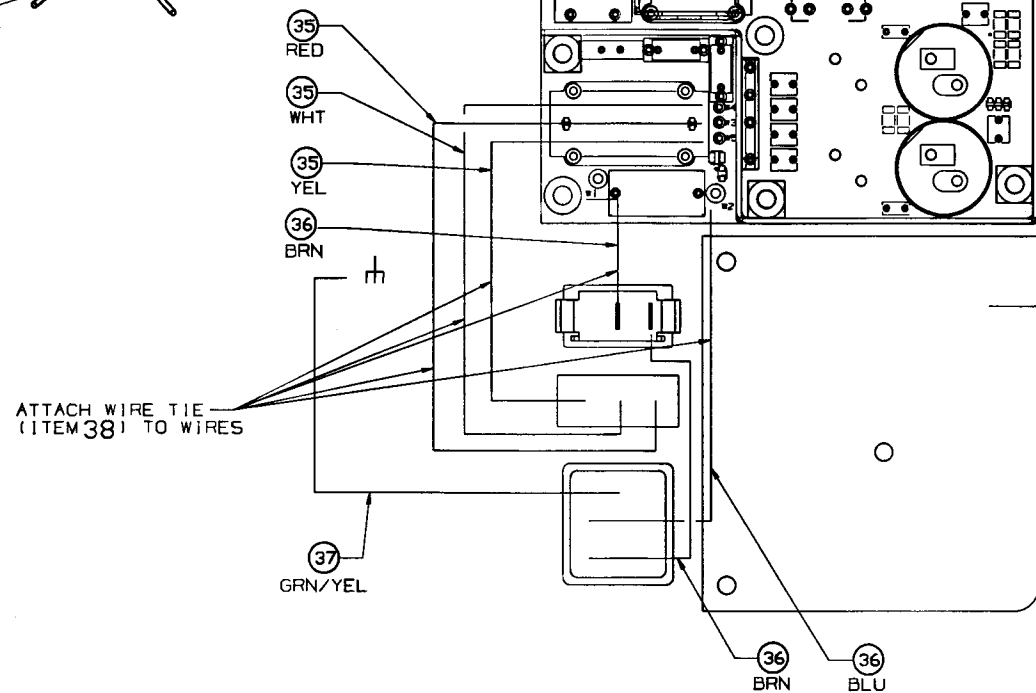
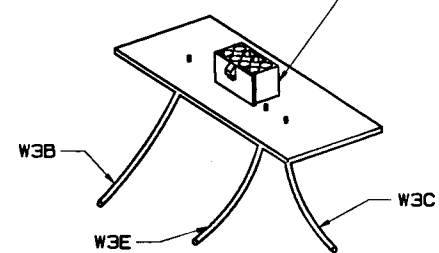
THESE DRAWINGS AND SPECIFICATIONS ARE THE PROPERTY OF JBL INCORPORATED THEY ARE ISSUED IN STRICT CONFIDENCE AND SHALL NOT BE REPRODUCED, COPIED, OR USED AS THE BASIS FOR MANUFACTURING OR SALE OF APPARATUS WITHOUT WRITTEN PERMISSION.

REVISIONS						
CHG	LTR	DESCRIPTION	DRFT	CHK	DATE	APPR
		SEE SHEET 1 FOR INFORMATION				

VIEWED FROM BOTTOM OF PWA



NOTE ORIENTATION OF CONNECTOR. TO BE MOUNTED ON BOTTOM OF PWA.



RIBBON CABLE PINOUT

'ON' POSITION OF POWER SWITCH NEEDS TO FACE TOWARDS THE CENTER OF THE INPUT PANEL.

NOTE VOLTAGE SELECTOR ORIENTATION

ITEM	QTY	DESCRIPTION	PART NO.
39	1	TIE, CABLE, NYL., .14"x5 5/8"	13-7338-00-00
38	1	RIBBON CABLE ASSEMBLY	46-8416-01N00
37	1	WIRE, MRX GROUND	138256-1
36	1	WIRES, MRX PRIMARY	138948-1
35	1	WIRES, MRX VOLT SELECTOR	138950-1
34	1	WIRES, MRX INTERFACE BRD	138945-1

NOTES: (UNLESS OTHERWISE SPECIFIED)

UNCONTROLLED COPY

REMARKS/REF F/N'S

JBL Professional
A Harman International Company
Northridge, California 91329, U.S.A.

TITLE: **AMP ASSEMBLY**

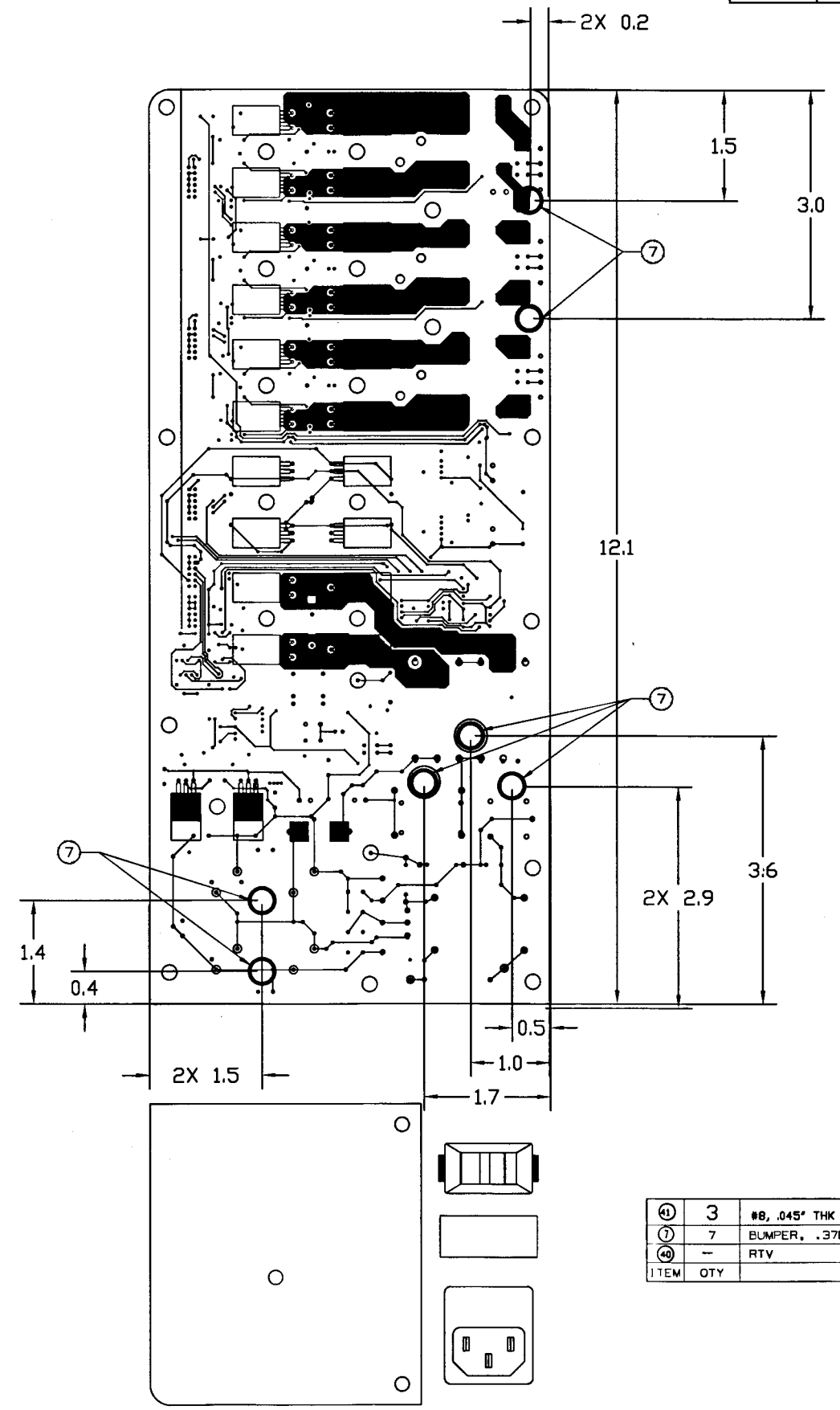
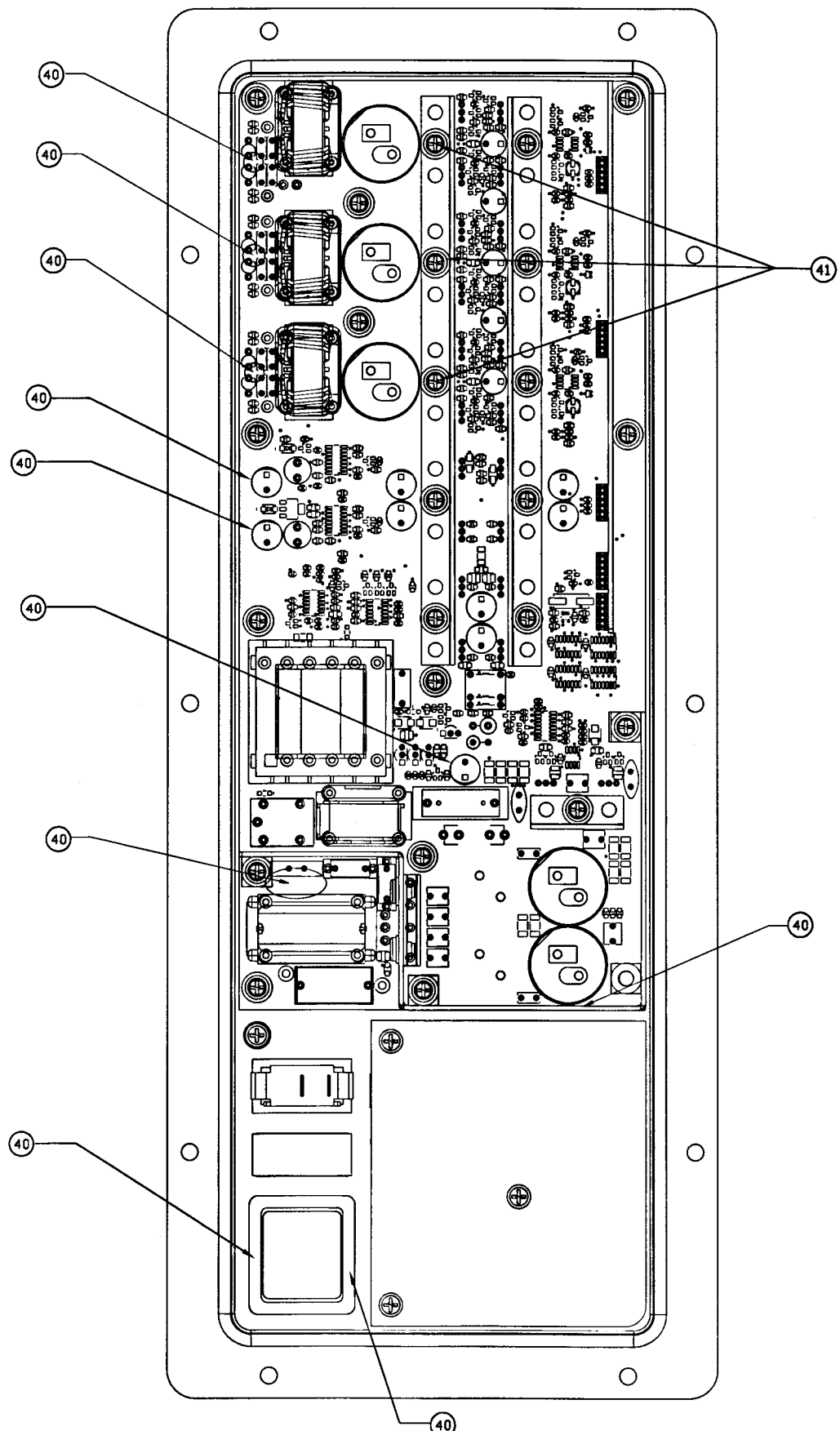
REV: **D** DRAWING NO: **363902** REV: **E**

SCALE: NTS SHEET 3 of 4

8 7 6 5 4 3 2 1

THESE DRAWINGS AND SPECIFICATIONS ARE THE PROPERTY OF JBL INCORPORATED THEY ARE ISSUED IN STRICT CONFIDENCE AND SHALL NOT BE REPRODUCED, COPIED, OR USED AS THE BASIS FOR MANUFACTURING OR SALE OF APPARATUS WITHOUT WRITTEN PERMISSION.

CHG		LTR		REVISIONS		DRFT	CHK	DATE	APPR
				DESCRIPTION					
				SEE SHEET 1 FOR INFORMATION					



ITEM	QTY	DESCRIPTION	PART NO.
④	3	#8, .045" THK INTERNAL STAR LOCKWASHER	
⑦	7	BUMPER, .370 IAX, 19H1	133766-1
④	-	RTV	15-7156-00-00

UNCONTROLLED COPY

NOTES: (UNLESS OTHERWISE SPECIFIED)

REMARKS/REF P/N'S	
JBL Professional A Harman International Company Northridge, California 91329, U.S.A.	
TITLE AMP ASSEMBLY	
SIZE D	DRAWING NO. 363902
SCALE NTS	REV E
SHEET 4 OF 4	