

# Technical Manual

# JBL PD5322/64-WH



## SPECIFICATIONS

### ACOUSTIC & ELECTRICAL SPECIFICATIONS:

- Nominal Impedance: 8 ohms
- Power Capacity: L.F. 1600 W (6400 W peak), 2 Hrs (AES) 1200 W (4800 W Peak), 100 Hrs  
M.F. 350 W (1400 W peak), 100 hrs.  
H.F. 75 W (300 W peak), 2 Hrs
- Frequency Range: 41 Hz – 18 kHz (-10 dB)
- Maximum SPL: Tri-amp mode: L.F. 128 dB SPL cont avg (134 dB peak)  
M.F. 135 dB SPL cont avg (141 dB peak)  
H.F. 135 dB SPL cont avg (141 dB peak)  
Passive mode: 135 dB SPL cont avg (141 dB peak)
- System Sensitivity: Passive mode 110 dB SPL (mid/high section only)
- Passive Crossover: 6th Order (36 dB/Oct) Linkwitz-Riley  
HP and LP, 1.5 kHz

- Mid Frequency 200mm (8 in) Neodymium Transducer: Differential Drive NDD™ dual 75mm (3 in) voice coil driver (2169H)
- DC Resistance: 8 ohms
- High Frequency Transducer: 38mm (1.5 in.) Exit Compression Driver with 75mm (3 in.) voice coil (2431H)
- DC Resistance: 8 ohms ± 10%
- Crossover Network 352608-001

### AURAL SWEEP TEST SPECIFICATIONS:

- A. System Aural Sweep Test:
- B. L.F. Aural Sweep Test: 10.0V Input, 20 Hz to 1.2 kHz
- C. M.F. Aural Sweep Test: 7.0V Input, 20 Hz to 1 kHz
- D. H.F. Aural Sweep Test: 2.83V Input, 550 Hz to 20 kHz

### SYSTEM COMPONENTS:

- Cabinet: (Not For Sale)
- Grille: 352235-001, 352235-003 (Wh)
- Low Frequency Transducer: 300mm (12 in.) Driver with 100mm(4 in.) voice coil (2206HPL)
- DC Resistance: 4 ohms

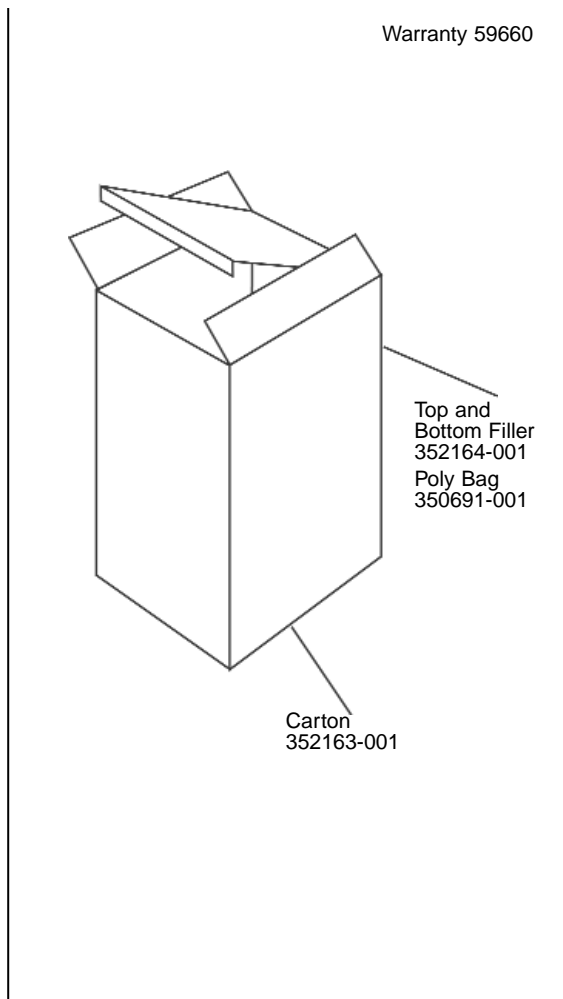
### PHYSICAL SPECIFICATIONS:

- Enclosure Dimensions: 991mm x 673mm x 706mm (39.0 x 26.5 x 27.8 in. D)
- Net Weight: 170 lbs. (77 kg.)

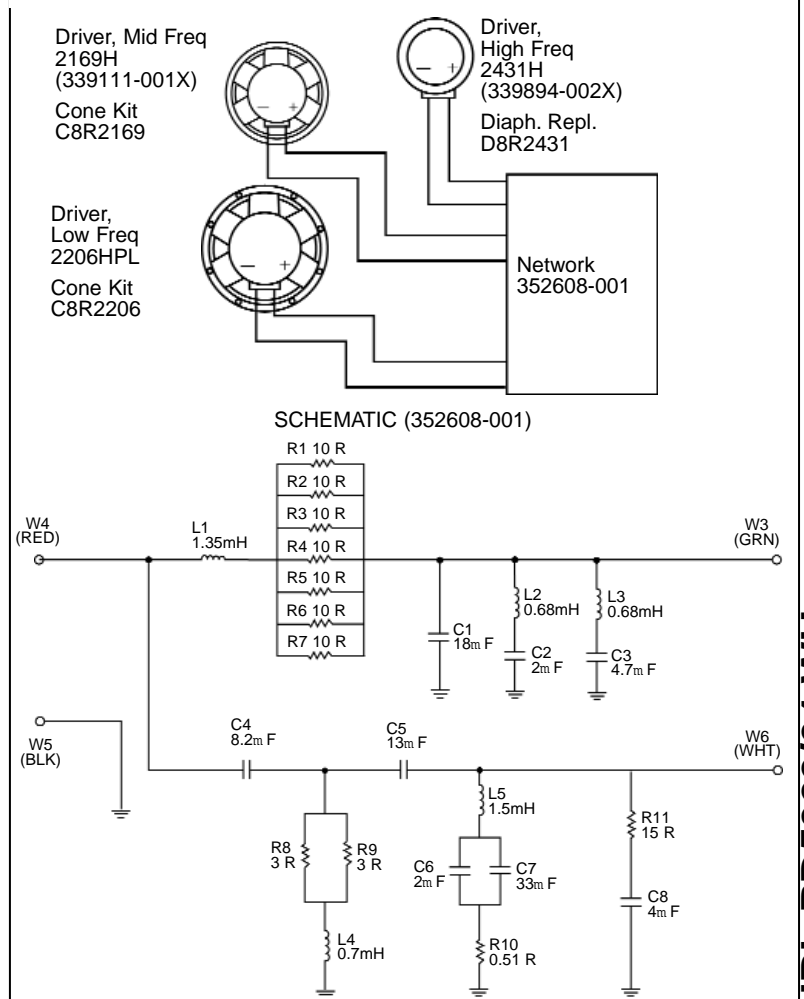
### WARRANTY INFORMATION:

- Refer to Warranty Statement packed with each product.

## PACKAGE



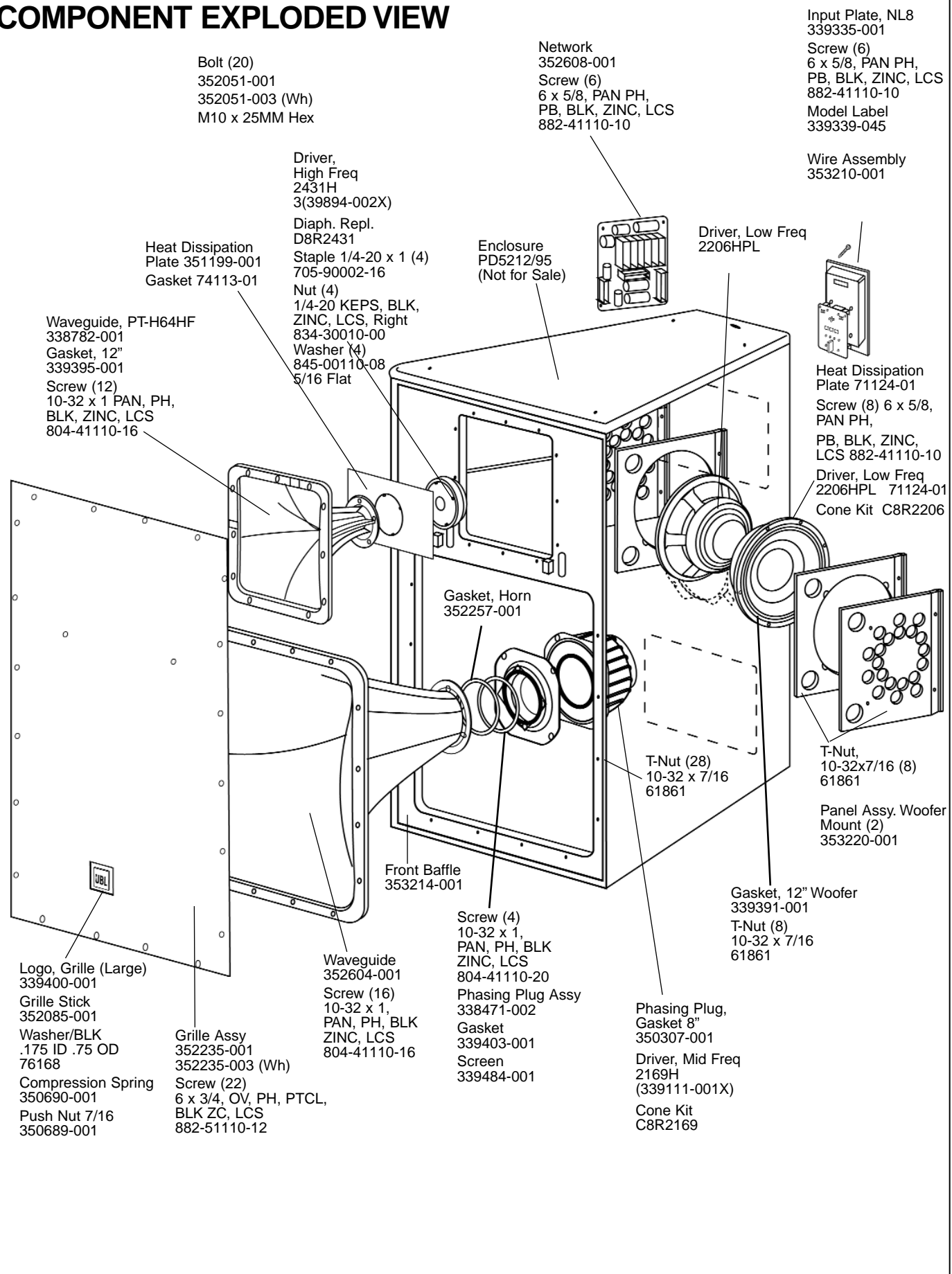
## WIRING DIAGRAM



JBL PD5322/64-WH REV E

# JBL PD5322/64-WH

## COMPONENT EXPLODED VIEW



JBL PD53220/95-WH