

Technical Manual

JBL PD5212/95-WH



SPECIFICATIONS

ACOUSTIC & ELECTRICAL SPECIFICATIONS:

- Nominal Impedance: 8 ohms
- Power Capacity: L.F. 400 W (1600 W Peak), 2 Hrs
300 W (1200 W Peak), 100 Hrs
(AES) H.F. 75 W (300 W Peak), 2 Hrs
- Frequency Range: 80 Hz – 18 kHz (-10 dB)
- Sensitivity: L.F. 109 dB SPL (1 W at 1M)
H.F. 114 dB SPL (1 W at 1 M)
- System Sensitivity: Passive Mode 106 dB SPL (1 W at 1 M)
- Passive Crossover: 6th Order (36 dB/Oct) Linkwitz-Riley
HP and LP, 850 Hz

SYSTEM COMPONENTS:

- Cabinet: (Not For Sale)
- Grille: 352235-001, 352235-003 (Wh)
- Low Frequency Transducer: 300mm (12 in.) Driver with 75mm (3 in.) Voice Coil (M222-8A)
- DC Resistance: 4.2 ohm

SYSTEM COMPONENTS: (cont'd)

- High Frequency Transducer: 38mm (1.5 in.) Exit Compression Driver with 100mm (4 in.) Voice Coil (2451H-1)
- DC Resistance: 4.1 ohm ± 8%
- Crossover Network: 352247-001

AURAL SWEEP TEST SPECIFICATIONS:

- A. System Aural Sweep Test: 7.0V Input, 20 Hz to 20 kHz
- B. L.F. Aural Sweep Test: 7.0V Input, 20 Hz to 1.2 kHz
- C. H.F. Aural Sweep Test: 2.83V Input, 100 Hz to 1.0 kHz

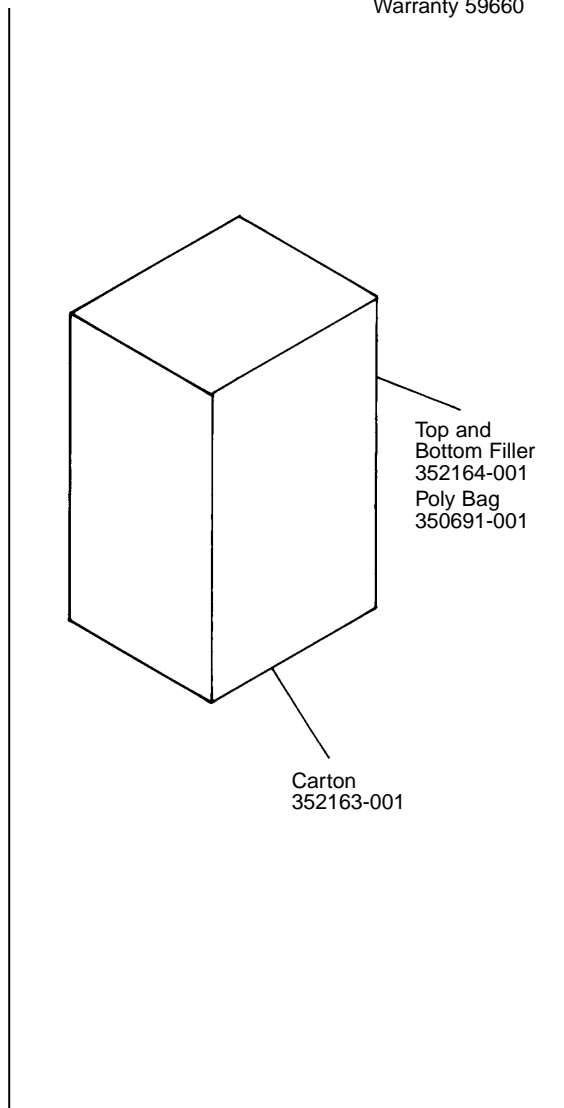
PHYSICAL SPECIFICATIONS:

- Enclosure Dimensions: 991mm x 673mm x 706mm D
(39.0 x 26.5 x 27.8 in. D)
- Net Weight: 152 lbs. (69.0 kg.)

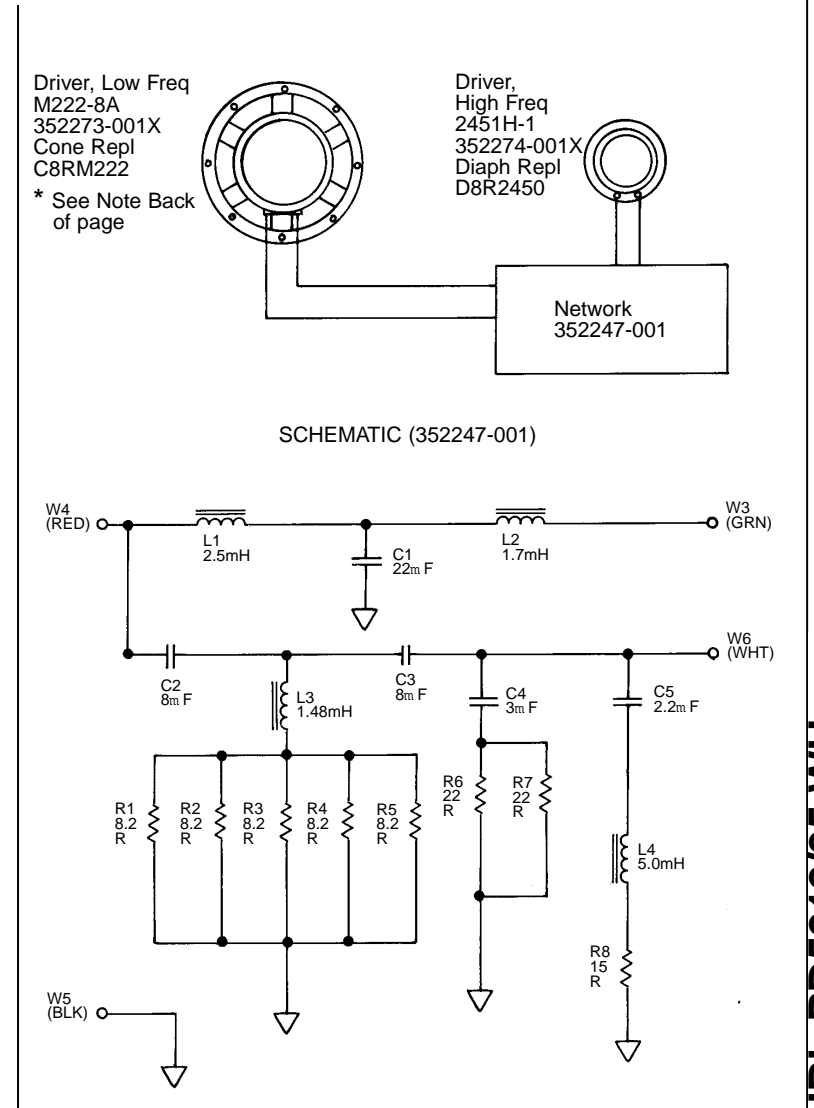
WARRANTY INFORMATION:

- Refer to Warranty Statement packed with each product.

PACKAGE

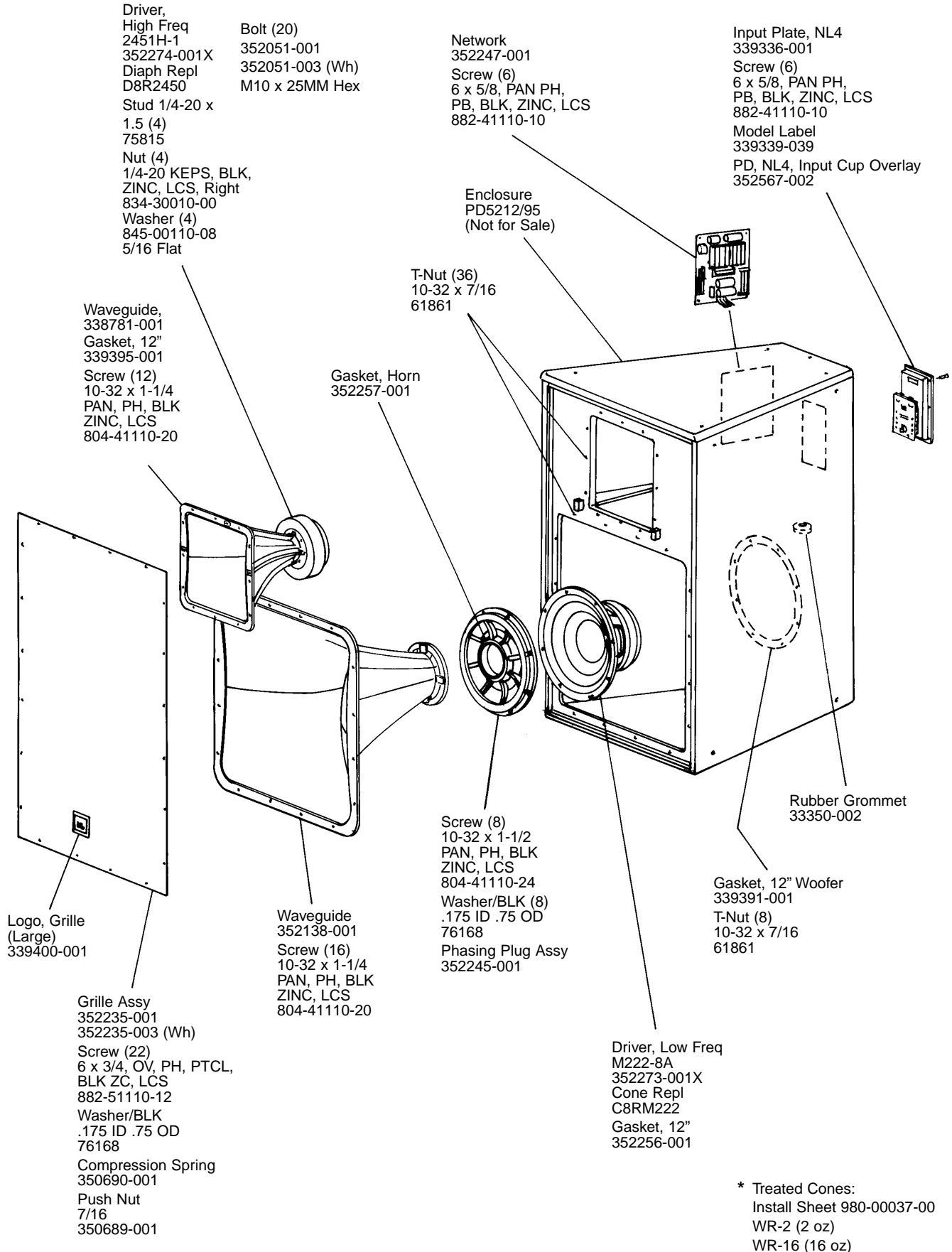


WIRING DIAGRAM



JBL PD5212/95-WH

COMPONENT EXPLODED VIEW



* Treated Cones:
Install Sheet 980-00037-00
WR-2 (2 oz)
WR-16 (16 oz)

JBL PD5212/95-WH