

# Technical Manual

# JBL PD5212/43-WH



## SPECIFICATIONS

### ACOUSTIC & ELECTRICAL SPECIFICATIONS:

- Nominal Impedance: 8 ohms
- Power Capacity: L.F. 400 W (1600 W peak), 100 hrs  
300 W (1200 W peak), 100 hrs  
H.F. 75 W (300 W peak), 2 hrs
- Frequency Range: 80 Hz – 18 kHz (-10 dB)
- Sensitivity: L.F. 137 dB SPL (1 W at 1m)  
H.F. 135 dB SPL (1 W at 1 m)
- System Sensitivity: Passive Mode 134 dB SPL (1 W at 1m)
- Passive Crossover: 6th Order (36 dB/oct) Linkwitz-Riley  
HP and LP, 850 Hz

### SYSTEM COMPONENTS:

- Cabinet: (Not For Sale)
- Grille: 352235-001, 352235-003 (Wh)
- Low Frequency Transducer: 300mm (12 in.) driver with dual voice coil (M222-8A)
- DC Resistance: 4.2 ohms

### SYSTEM COMPONENTS: (cont'd)

- High Frequency Transducer: 38mm (1.5 in.) exit compression driver with 100mm (4 in.) voice coil (2451H-1)
- DC Resistance: 4.1 ohms ± 8%
- Crossover Network: 353442-001

### AURAL SWEEP TEST SPECIFICATIONS:

- A. System Aural Sweep Test: 7.0V Input, 40 Hz to 20 kHz
- B. M.F. Aural Sweep Test: 7.0V Input, 20 Hz to 1.2 kHz
- C. H.F. Aural Sweep Test: 2.83V Input, 100 Hz to 1.0 kHz

### PHYSICAL SPECIFICATIONS:

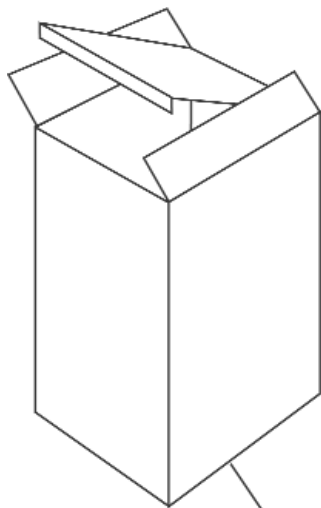
- Enclosure Dimensions: 991mm x 673mm x 897mm D  
(39.0 x 26.5 x 35.3 in. D)
- Net Weight: 175 lbs. (79.5 kg.)

### WARRANTY INFORMATION:

- Refer to Warranty Statement packed with each product.

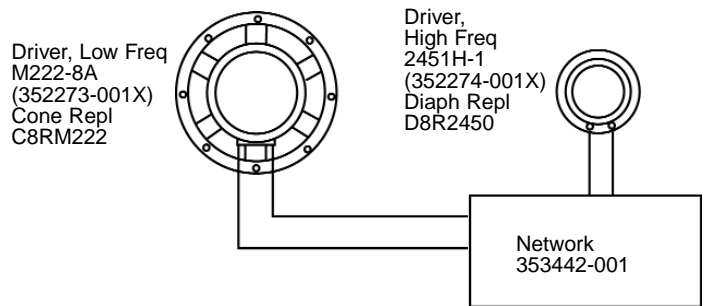
## PACKAGE

Warranty 59660

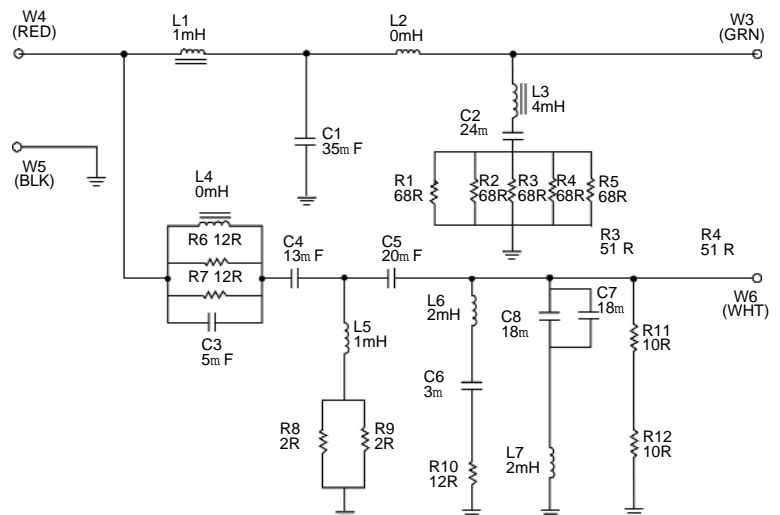


- Top and Bottom Filler: 352164-001
- Poly Bag: 350691-001
- Carton: 352163-001

## WIRING DIAGRAM



SCHEMATIC (353442-001)



JBL PD5212/43-WH REV C

