

# Technical Manual

# JBL PD743

## SPECIFICATIONS



### ACOUSTIC & ELECTRICAL SPECIFICATIONS:

- Nominal Impedance: M.F.: 8 ohms, HF: 16 ohms
- Power Capacity: M.F.: 700 W AES (2800 W Peak)  
H.F.: 150 W AES (600 W Peak)
- Frequency Range: 150 Hz – 17 kHz (–10 dB)
- Sensitivity: M.F.: 111dB, 1 Watt @ 1 Meter  
H.F.: 118dB, 1 Watt @ 1 Meter
- Crossover Frequencies: 225 Hz – 1.5 kHz

### SYSTEM COMPONENTS:

- Cabinet: Enclosure 338091-001
- Grille: Front, 337268-001  
Rear, 337259-001
- Mid Range Transducer: 203mm (8 in.) Cone Transducer (2) 2250JPL
- DC Resistance: 9.0 ohms ± 10%
- High Frequency Transducer: 75mm (3 in.) Diaphragm, 38mm (1.5 in.) Aperture, Neodymium Magnet (2) 2431H

### SYSTEM COMPONENTS: (cont'd)

- DC Resistance: 4.5 ohms
- Crossover Network: 338755-001

### AURAL SWEEP TEST SPECIFICATIONS:

- A. System Aural Sweep Test: 7.0V Input, 20 Hz to 20 kHz
- B. M.F. Aural Sweep Test: 7.0V Input, 100 Hz to 20 kHz
- C. H.F. Aural Sweep Test: 3.0V Input, 500 Hz to 20 kHz

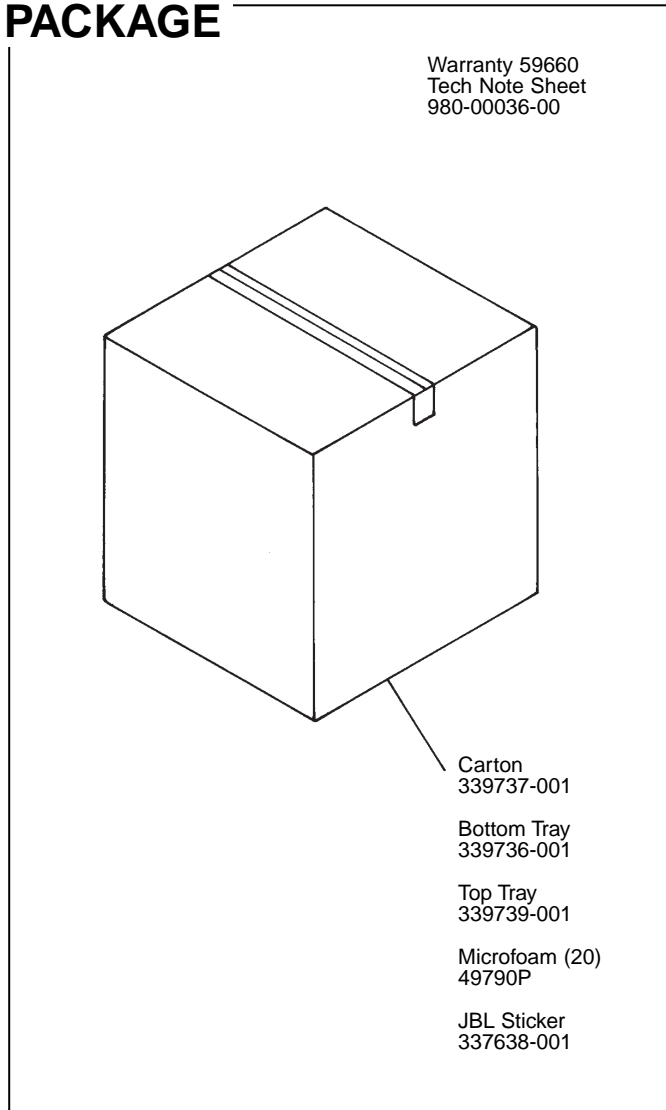
### PHYSICAL SPECIFICATIONS:

- Enclosure Dimensions: 991mm x 991mm x 1146mm D (39.0 x 39.0 x 45.1 in.D.)
- Net Weight: 245 lbs. (111.4 kg.)

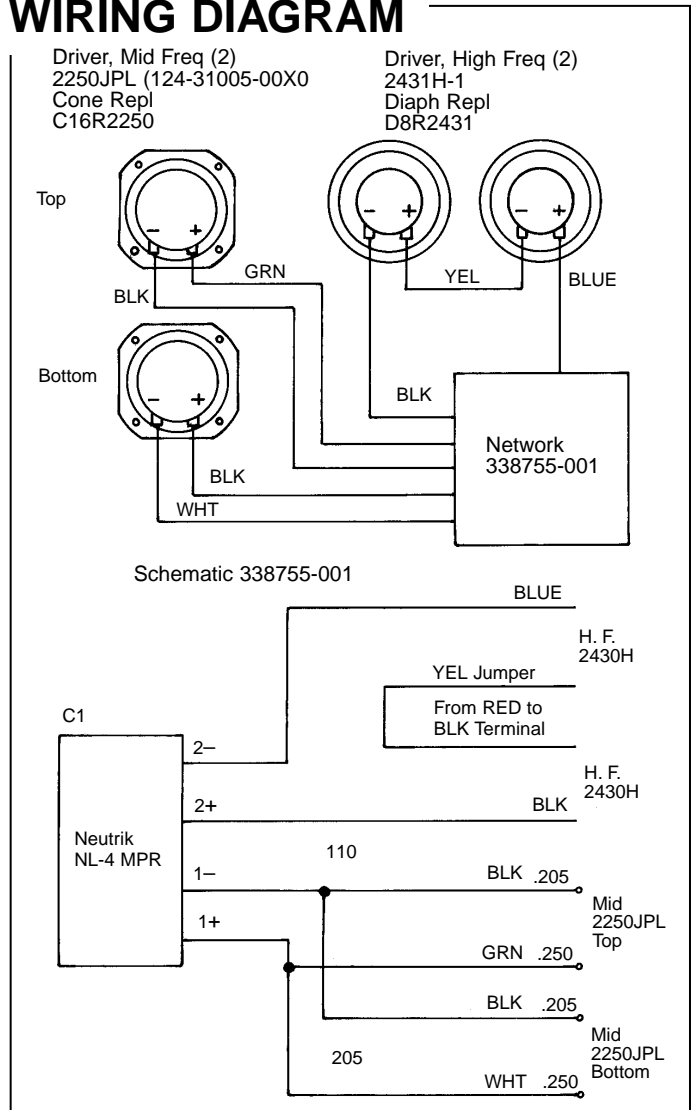
### WARRANTY INFORMATION:

- Refer to Warranty Statement packed with each product.

## PACKAGE



## WIRING DIAGRAM



# JBL PD743

## COMPONENT EXPLODED VIEW

