

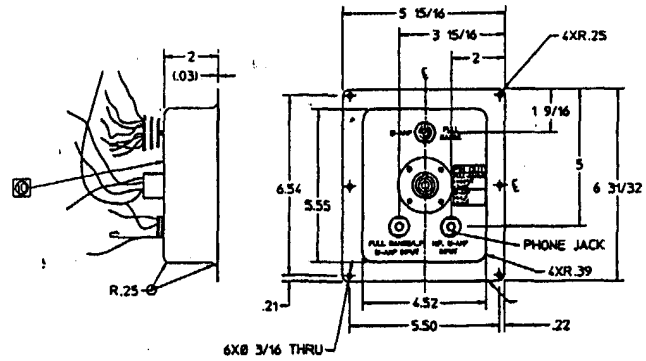
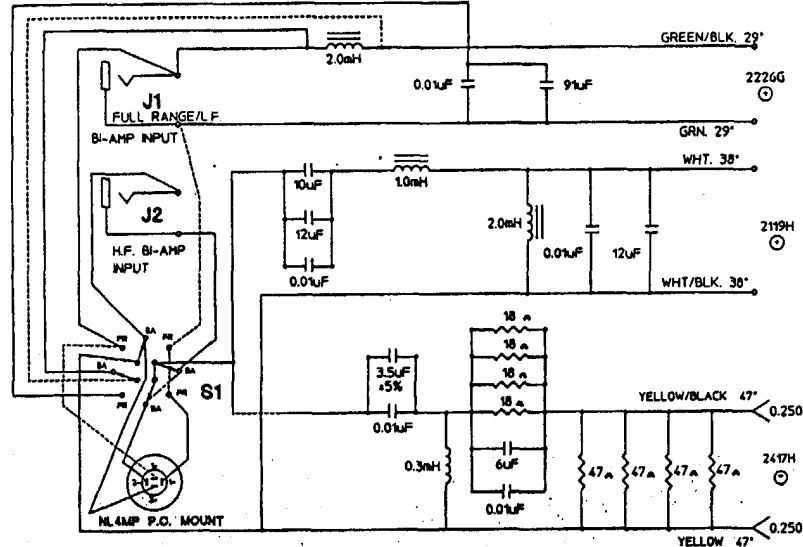
THESE DRAWINGS AND ALL MANUFACTURING THEREON ARE UNCONTROLLED COPIES OR UNLAWFUL REPRODUCTIONS OF THE ORIGINAL DRAWINGS WITHOUT WRITTEN PERMISSION.

THE PROPERTY OF HAMMAN SPEAKER. ALL INFORMATION IS UNCLASSIFIED AND SHALL NOT BE RELEASED FOR MANUFACTURING OR SALE OF THE ORIGINAL DRAWINGS WITHOUT WRITTEN PERMISSION.

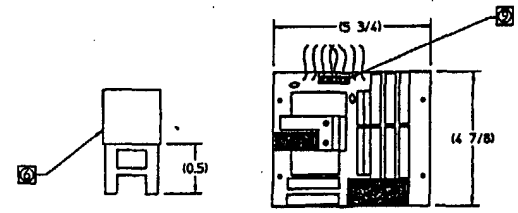
PART NO.	REV	DESCRIPTION	REMARKS
75965	B	NETWORK ASSY	SR4735A
75965-01	B	P.C.B.	SR4735A
75965-02	B	TERMINAL CUP	SR4735A

CHG	LTR	DESCRIPTION	ORFMT	CHK I.D.	APR
F-1117	A	RELEASE FOR PRODUCTION	PME	DME	5/21/93
541T	B	ADD NOTE 8 TO DRAWING TO NOTE 9. UNIT WAS 6" IN. LENGTH WAS 13".	VAL		

NSR4735A



75965-02
TERMINAL CUP



75965-01
P.C. BOARD

12. ALL INDUCTORS TO BE SECURED IN PLACE WITH WIRE TIE AND RTV (SILICONE) UNDER BOBBIN SUPPORT. RTV NOT TO CONTACT WIRE WHERE POSSIBLE.
11. WIRES FROM P.C.B. TO TERM CUP TO BE 24".
10. STAMP JBL P/N: 75676 ON CUP WHERE SHOWN.
9. MUST BE KEYED CONNECTOR (CAN ONLY BE CONNECTED ONE WAY).
8. INDUCTORS: ± 5% @ 1 KHZ, DCR < 0.25 OHMS, SATURATION 7A MIN, HYSTERESIS ± 2% 1.0mH TO BE U-CORE TYPE OR ENGINEERING APPROVED EQUIVALENT.
7. CAPACITORS: 0.01μF ± 10% @ 1 KHZ, D.F. < 2%; 200V POLYPROPYLENE ALL OTHERS ± 10% (UNLESS NOTED DIFFERENTLY) @ 1 KHZ, D.F. < 2%, 200V MYLAR
6. RESISTORS: 10 WATT, NO RTV REQUIRED BETWEEN RESISTORS (MUST BE TWO LEG/FOUR PIN TYPE)
5. NEUTRICK: NL4MP P.C. MOUNT VERSION OF 4 PIN NEUTRICK CONNECTOR (AIR TIGHT)
4. S1 TO BE TWO POSITION ROTARY SWITCH (ON-ON) WIRED FOR 6A MINIMUM RATING BY PARALLELING ONE SWITCH SECTION TOGETHER AS SHOWN.
BA= BI-AMP MODE
FR= FULL RANGE MODE
3. PHONE JACK (1/4" SWITCHCRAFT) TO BE INSULATED FROM TERMINAL CUP. (J1 & J2)
2. TERMINAL CUP TO BE 0.8MM THK STEEL, POWDERCOATED BLACK.
1. TERMINAL CUP SIMILAR IN SIZE ONLY, TO PART NO. 69691-XX.
- OUTWARD CONE MOVEMENT WITH POSITIVE VOLTAGE TO RED INPUT TERMINAL.
- INWARD CONE MOVEMENT WITH POSITIVE VOLTAGE TO RED INPUT TERMINAL.

NOTES: (UNLESS OTHERWISE SPECIFIED)

QTY	ITEM	PART NO.	PART/MATERIAL	REMARKS
			BILL OF MATERIAL	
			HAMMAN SPEAKER MANUFACTURING A Hamman International Company Northridge, California 91324 U.S.A.	
			DATE: 5/21/93	
			DRAWN BY: DME	
			CHECKED BY: JLV	
			PART NO: SR4735A	
			REV: D	
			MATERIAL: NONE	
			QUANTITY: 1 of 1	

8 15 7 17 18 6 12 4 13 12 12 11