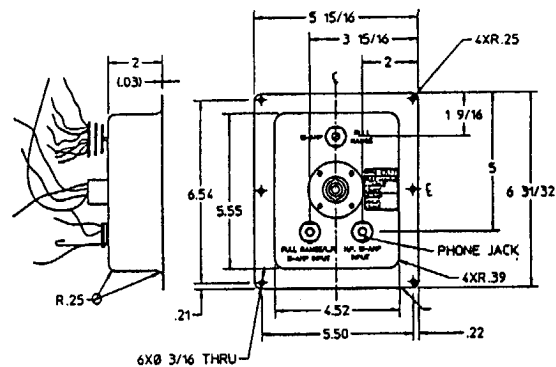
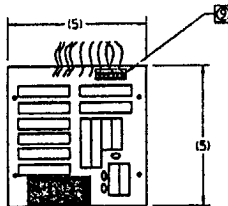


MANUFACTURER THEY REPRODUCED UNDER THE NAME FOR MANUFACTURE BY SALES OF APPLICABLE WITHOUT VARIATION.

75671	B	TERMINAL CUP
75671-01	B	P.C. BOARD



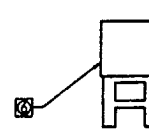
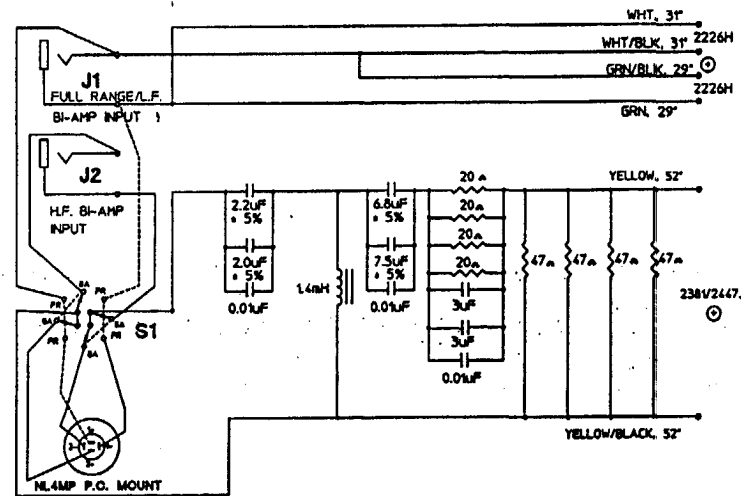
75671
TERMINAL CUP



75671-01
P.C. BOARD

CHG	LTN	DESCRIPTION	ORF1	CHK	APPV
170T	A	REL FOR PROD 75671, 75671-01	SP	HV	B/D
541T	B	ADDED NOTE 10	VAL		

NSR4733A



- ALL INDUCTORS TO BE SECURED IN PLACE WITH WIRE TIE AND RTV (SILICONE) UNDER BOBBIN SUPPORT. RTV NOT TO CONTACT WIRE WHERE POSSIBLE.
 - MUST BE KEYED CONNECTOR (CAN ONLY BE CONNECTED ONE WAY).
 - INDUCTORS: ± 5% @ 1 KHZ, DCR < 0.25 OHMS, SATURATION 7A MIN, HYSTERESIS ± 2 %
 - CAPACITORS: 0.01µF ± 10% @ 1 KHZ, D.F. < 2 %, 200V POLYPROPYLENE ALL OTHERS ± 10% (UNLESS NOTED DIFFERENTLY) @ 1 KHZ, D.F. < 2 %, 200V MYLAR
 - RESISTORS: 10 WATT, NO RTV REQUIRED BETWEEN RESISTORS (MUST BE TWO LEG/FOUR PIN TYPE).
 - NEUTRICK: NL4MP P.C. MOUNT VERSION OF 4 PIN NEUTRICK CONNECTOR (AIR TIGHT)
 - S1 TO BE TWO POSITION ROTARY SWITCH (ON-ON) WIRED FOR 6A MINIMUM RATING BY PARALLELING TWO SWITCH SECTIONS TOGETHER AS SHOWN.
BA= BI-AMP MODE
FR= FULL RANGE MODE
 - PHONE JACK (1/4" SWITCHCRAFT) TO BE INSULATED FROM TERMINAL CUP.
 - TERMINAL CUP TO BE 0.8MM THK STEEL, POWDERCOATED BLACK.
 - TERMINAL CUP SIMILAR IN SIZE ONLY, TO PART NO. 69691-XX.
TERMINAL CUP TO FIT A CUTOUT 6" X 7" WITH 1/4" R CORNERS.
- NOTES: (UNLESS OTHERWISE SPECIFIED)

QTY/ITEM	PART NO.	PART/MATERIAL	REMARKS
		ELL OF MATERIAL	
		DATE: 3/5/93	MANHAW SPEAKER MANUFACTURING
		SPONE 11	A Division International Company
		DATE: 3/5/93	CHESAPEAKE, VIRGINIA 23060, U.S.A.
		DRIVER A	TERM CUP/P.C. BOARD
		SR4733A	D 75671-XX B
		REMARKS: NONE	ISSUE: 1 of 1

8 13 71 17 6 15 51 42 142 4 131 124 121 122 112