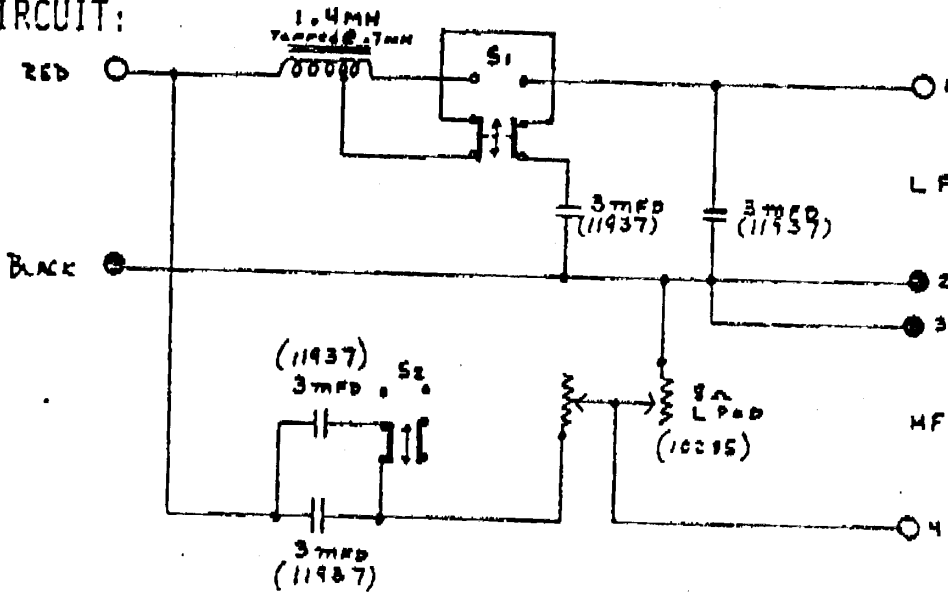


SPECIFICATIONS: NOTE ①

LOAD Z	LOW PASS	CROSS OVER	HIGH PASS	ATTENUATION
	1 KHZ	2.5 KHZ	10 KHZ (REF)	
8	LF 0	LF -3 HF -3	HF 0	

CIRCUIT:



NOTES:

- ① USE STANDARD TEST FIXTURE
- ② REPLACEMENT PARTS NO LONGER AVAILABLE,
REPLACEMENT SRI PARTS IF POSSIBLE (=)