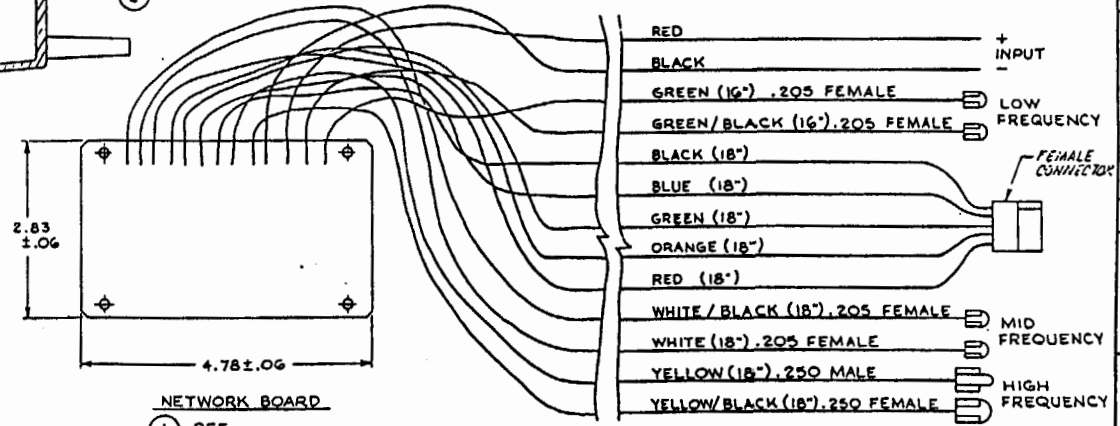
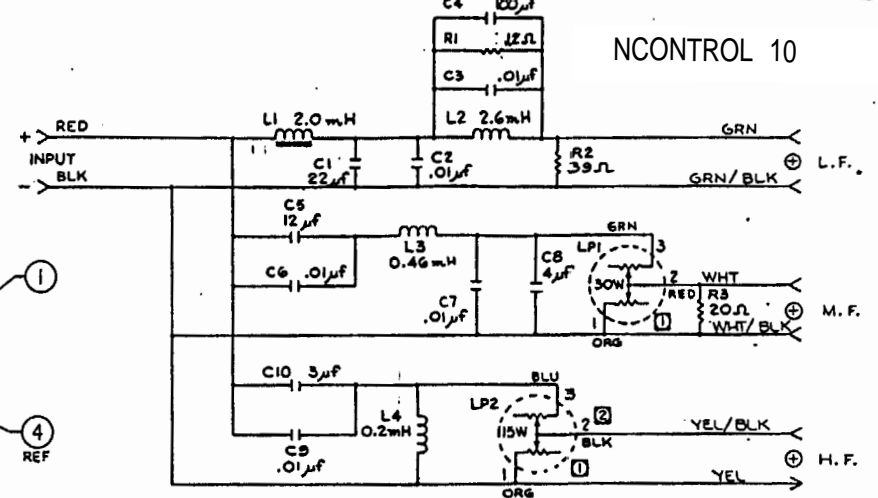
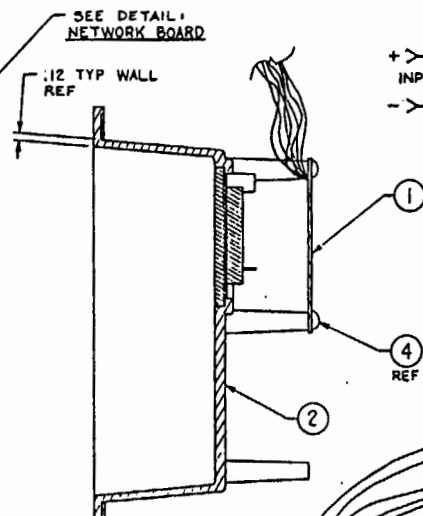
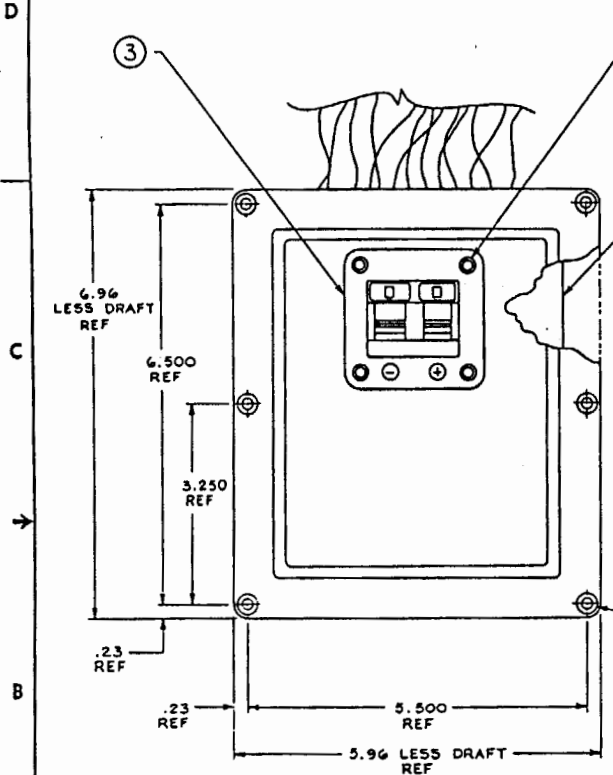


THESE DRAWINGS AND SPECIFICATIONS ARE THE PROPERTY OF JBL. NO PARTS THEREOF ARE TO BE REPRODUCED OR COPIED IN ANY MANNER WITHOUT WRITTEN PERMISSION.

PART NUMBER	REV	DESCRIPTION	REMARKS
69488	E	CONTROL 10 NETWORK	PURCHASE COMP
69488-0060	E	NETWORK BOARD	

REVISIONS						
CHG	DATE	DESCRIPTION	DRFT	CHK	DATE	APPR
721K	A	REL FOR PROD.	6/24	JK	6/24	JK
800K	D	REV M.F.	7/1	JK	7/1	JK
877K	C	REV WIRE LENGTH TO CONN.	7/1	JK	7/1	JK
961K	D	REV WIRE LENGTH TO CONN.	7/1	JK	7/1	JK
112L	E	C4 WAS 90µF	7/1	JK	7/1	JK



5. C1, C4, C5 & C8: NP ELECTROLYTIC, ±10%, DF 4%,

REF DESIG.	CONTINUOUS I =	PEAK I =
C1	1.4A	2.75A
C4	2.2A	4.3A
C5	1.75A	3.5A
C8	0.9A	1.75A

4. L3 & L4: ±10%, AIR CORE, DCR ≤ .5Ω.
3. L1 & L2: ±10%, 5A SATURATION, 10% HYSTERESIS, DCR; TOTAL DCR OF L1 & L2 ≤ .5Ω.
- 2 PIN 2 OF L-PAD SHOULD RETURN TO NETWORK BOARD BEFORE GOING TO TWEETER.
- 1 8Ω L-PAD NOT ON NETWORK BOARD.

8. ALL RESISTORS: 10W, 10%.
7. C10: 200V, MYLAR, ±10%, CONTINUOUS I = 1.2A, PEAK I = 2.3A.
6. C2, C3, C6, C7 & C9: POLYPROPYLENE, ±10%.

NOTES: (UNLESS OTHERWISE SPECIFIED)

ITEM	PART NO.	DESCRIPTION	QTY	REMARKS
4	69482	SCREW 4-40x 3/4	8	
3	69462	SMALL CUP	1	
2	69691-01	TERM CUP	1	
1	69488-0060	NETWORK BOARD	1	

BILL OF MATERIAL			
DATE	BY	CHKD	APPR
7/1	JK	JK	JK
TOLERANCES UNLESS OTHERWISE SPECIFIED		JBL Incorporated Atmerman International Company Northridge, California 91329 U.S.A.	
MATERIALS		MFD ITEM, CONTROL 10 NETWORK	
PART NO. 69488		REV E	
SCALE 1/1		PAGE 1/1	

8 7 6 5 4 3 2 1