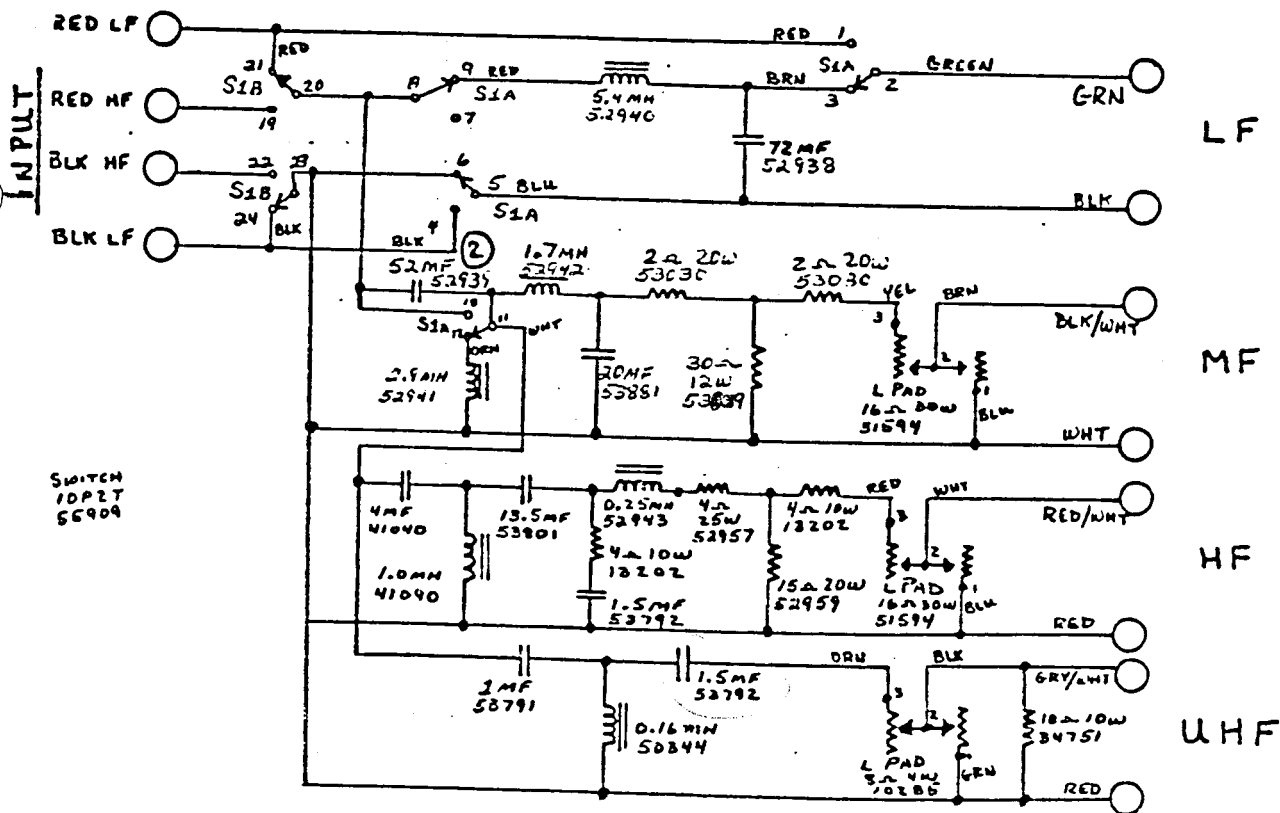


SPECIFICATIONS: NOTE ①

	LOAD Z	LOW PASS	CROSS OVER	HIGH PASS	ATTENUATION
internal	8 Ω	320 Hz	1K	1.7K	7K
		LF -6 MF -6	MF -3	MF -14 HF -14	HF -12 UHF -12

TEST SPECS PENDING CONTACT JBL

CIRCUIT:



NOTES:

- ① USE STANDARD TEST FIXTURE
- ② 4MF (53794) USED IN SOME UNITS IN PARALLEL WITH THE 52MF CAPACITOR