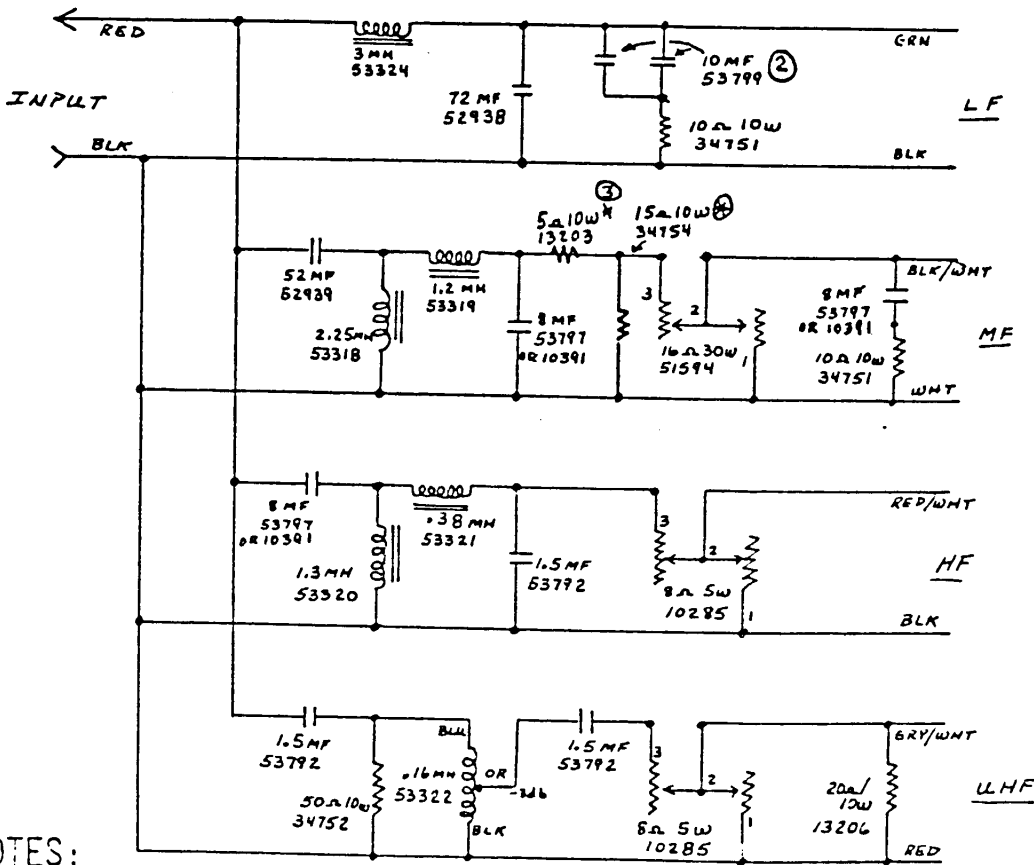


SPECIFICATIONS: NOTE ①

LOAD Z	LOW PASS	CROSS OVER	HIGH PASS	ATTENUATION	
8		400HZ			* ± 2dB
		LF -4			
		MF -7*	MF -4*	MF VAR	
		1.3KHZ	3 KHZ		
		MF -6.5*			
		HF -6.5	HF +1	HF VAR	
	9.5KHZ				
	UHF -8				
	UHF -8*	UHF -5	UHF VAR		

CIRCUIT:



NOTES:

- ① USE STANDARD TEST FIXTURE
- ② LF SECTION - (2) 53799 10MF MAY BE (1) 53881 20MF
- ③ MF SECTION - RESISTORS MARKED (*) ADDED FOR MID-RANGE ATTENUATION