

Technical Manual



JBL M50S

SPECIFICATIONS

ACOUSTIC & ELECTRICAL SPECIFICATIONS:

- Type: Dynamic Pressure Gradient Microphone
- Polar Pattern: Cardioid Type
- Frequency Range: 70 Hz–15 kHz
- Magnet System: Ferrite
- Sensitivity at 1000Hz: -74 dB, 0 dB = 1V/ μ Bar
- Impedance at 1000Hz: 500 ohms
- Environment: -10°C to 55°C, R.H. @ +40°C 95%
- Connector: 3-Pin Male XLR
- Connector Pinout:
 - Pin 1 Ground
 - Pin 2 Audio (+)
 - Pin 3 Audio (-)
- Case Material: Zinc Diecast
- Finish: Matte Black

PHYSICAL SPECIFICATIONS:

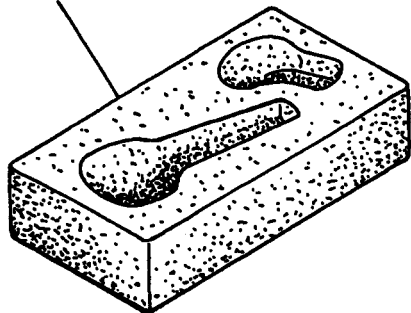
- Size: 171mm x 54mm (6.73 in. x 2.12 in.)
- Weight: 10.6 oz. (320g)
- Net/Shipping Weight: 1.2 lbs. (541g)

WARRANTY INFORMATION:

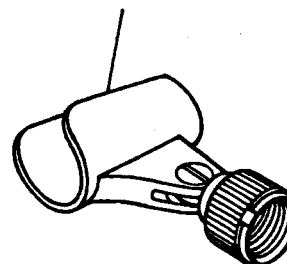
- Refer to Warranty Statement packed with each product.

PACKAGE

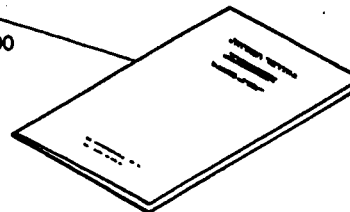
Foam Insert



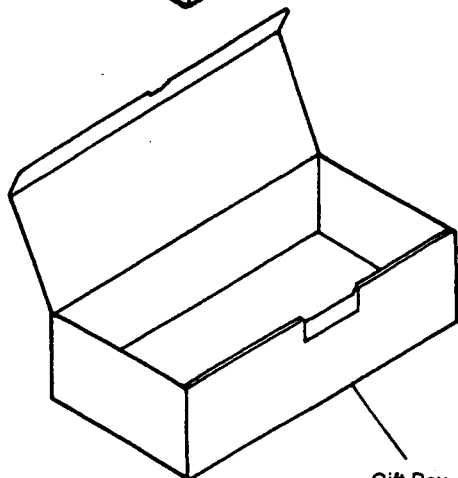
Mic Clip
423-00011-00



Owner's
Manual
981-00039-00



Gift Box



JBL M50S

COMPONENT EXPLODED VIEW

