

Technical Manual

JBL MS105/WH

SPECIFICATIONS



ACOUSTIC & ELECTRICAL SPECIFICATIONS:

- Nominal Impedance: 8 ohm
- Power Capacity: 225W IEC; 900W Peak
- Frequency Range: 45 Hz – 18 kHz (-10dB)
- Sensitivity: 99 dB SPL, 1 Watt @ 1 Meter
- Crossover Frequency: 2.1 kHz

SYSTEM COMPONENTS:

- Cabinet: (Not For Sale)
- Grille: 128-00323-65, 128-00323-00(Wh)
- Low Frequency Transducer: 380mm (15 in.) Dome Transducer (124-67001-00X)
- DC Resistance: 5.1 ohm ± 10%
- High Frequency Transducer: 25mm (1 in.) Titanium Diaphragm (2412H) 125-10000-00
- DC Resistance: 3.7 ohm ± 10%

SYSTEM COMPONENTS: (cont'd)

- Crossover Network 129-20038-00

AURAL SWEEP TEST SPECIFICATIONS:

- A. System Aural Sweep Test: 7.0V Input, 20 Hz to 20 kHz
- B. L.F. Aural Sweep Test: 7.0V Input, 20 Hz to 1.2 kHz
- C. H.F. Aural Sweep Test: 2.83V Input, 550 Hz to 20 kHz

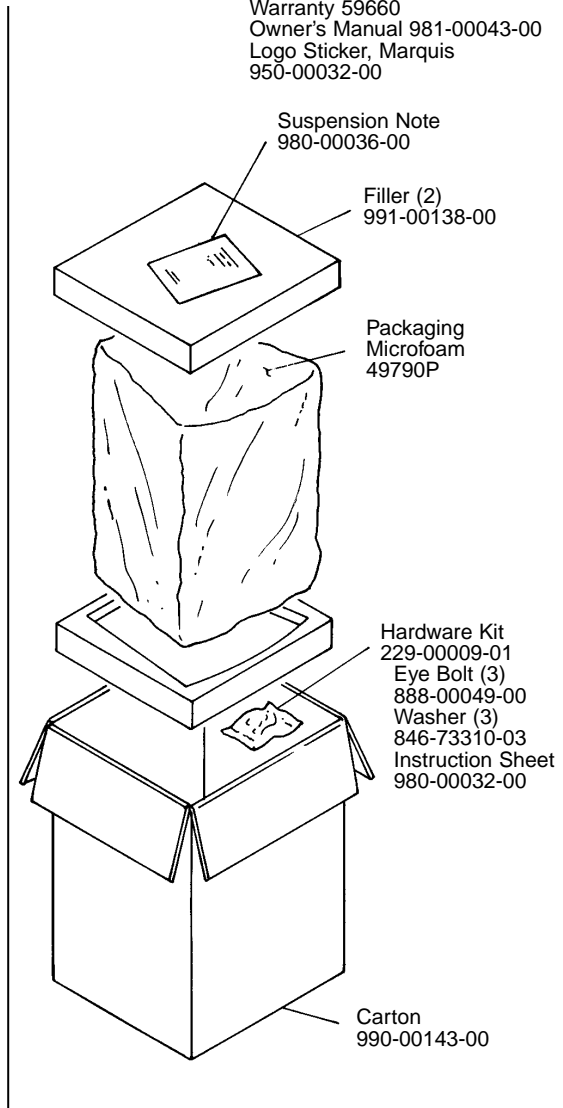
PHYSICAL SPECIFICATIONS:

- Enclosure Dimensions: 661mm x 467mm x 413mm D (26.0 x 18.38 x 16.25 in. D)
- Net Weight: 52 lbs. (23.6 kg.)

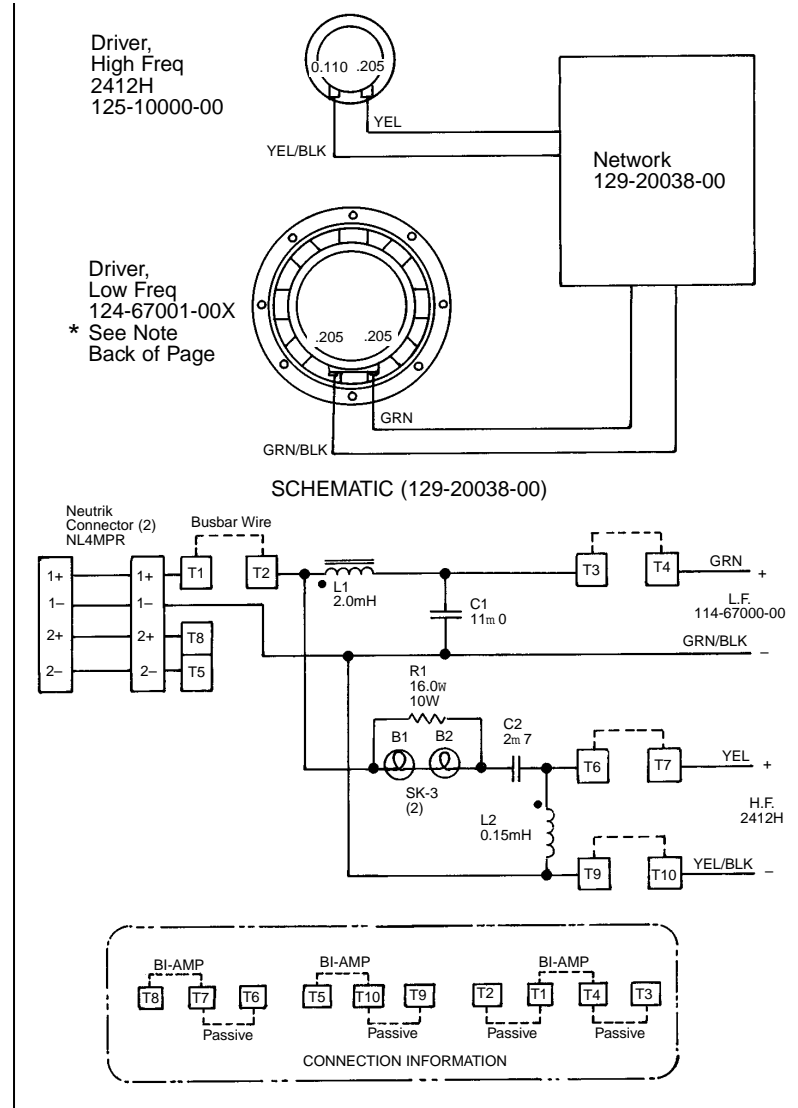
WARRANTY INFORMATION:

- Refer to Warranty Statement packed with each product.

PACKAGE



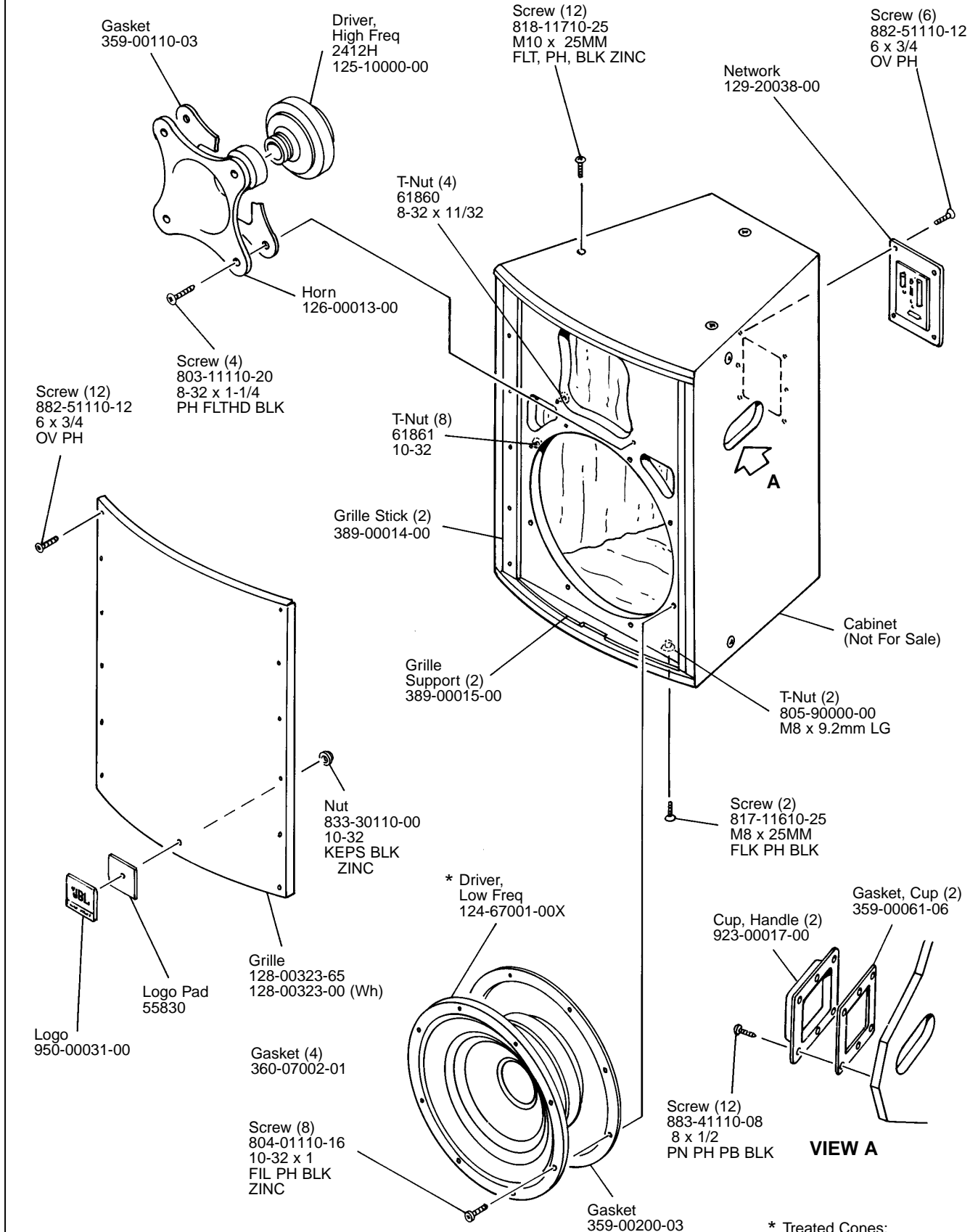
WIRING DIAGRAM



JBL MS105 REV J

JBL MS105

COMPONENT EXPLODED VIEW



* Treated Cones:
 Install Sheet 980-00037-00
 WR-2 179-00011-00 2 oz.
 WR-16 179-00012-00 16 oz.