

Technical Manual

JBL MRX528S



PROFESSIONAL

SPECIFICATIONS

ACOUSTIC & ELECTRICAL SPECIFICATIONS:

- Nominal Impedance: 4 Ohms
- Power Capacity: 1000W / 2000W / 4000W, 2 hrs.
(Cont/ Prog/Peak): 800W / 1600W / 3200W, 100 hrs
- Frequency Range: 35 Hz - 250 Hz (-10 dB)
- Frequency Response: 40 Hz – 250 Hz (±3 dB)
- Maximum SPL: 133 dB SPL continuous (139 dB SPL peak)
- System Sensitivity: 97 dB SPL (1 watt @ 1 meter)
- Crossover Frequency: 80-120 Hz / 24-48 dB / octave

SYSTEM COMPONENTS:

- Cabinet: Enclosure (Not for Sale)
- Grille: 362523-001
- Low Frequency Transducer: (2) 2044H, 457 mm (18 in) woofers
- DC Resistance: 2.5 ohm ±10%

SYSTEM COMPONENTS: (CONT'D)

- Inupt Cup Assembly: 362295-001

AURAL SWEEP TEST SPECIFICATIONS:

- A. System Aural Sweep Test: 10.0V Input, 50 Hz to 1 kHz
- B. L.F. Aural Sweep Test: 5.0V Input, 20 Hz to 1 kHz

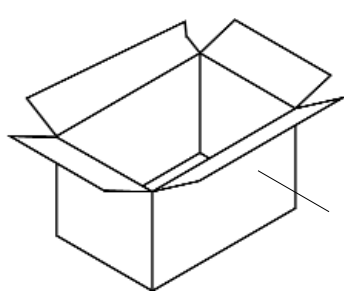
PHYSICAL SPECIFICATIONS:

- Enclosure Dimensions: 1095 x 535 x 700 mm D
(H x W x D) (43 x 21 x 27.5 in D)
- Net Weight (ea): 121 lb (55 kg)

WARRANTY INFORMATION:

- Refer to Warranty Statement packed with each product.

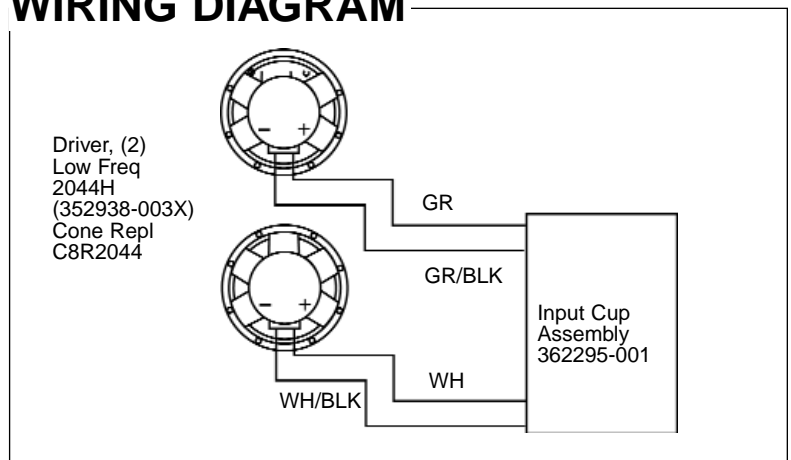
PACKAGE



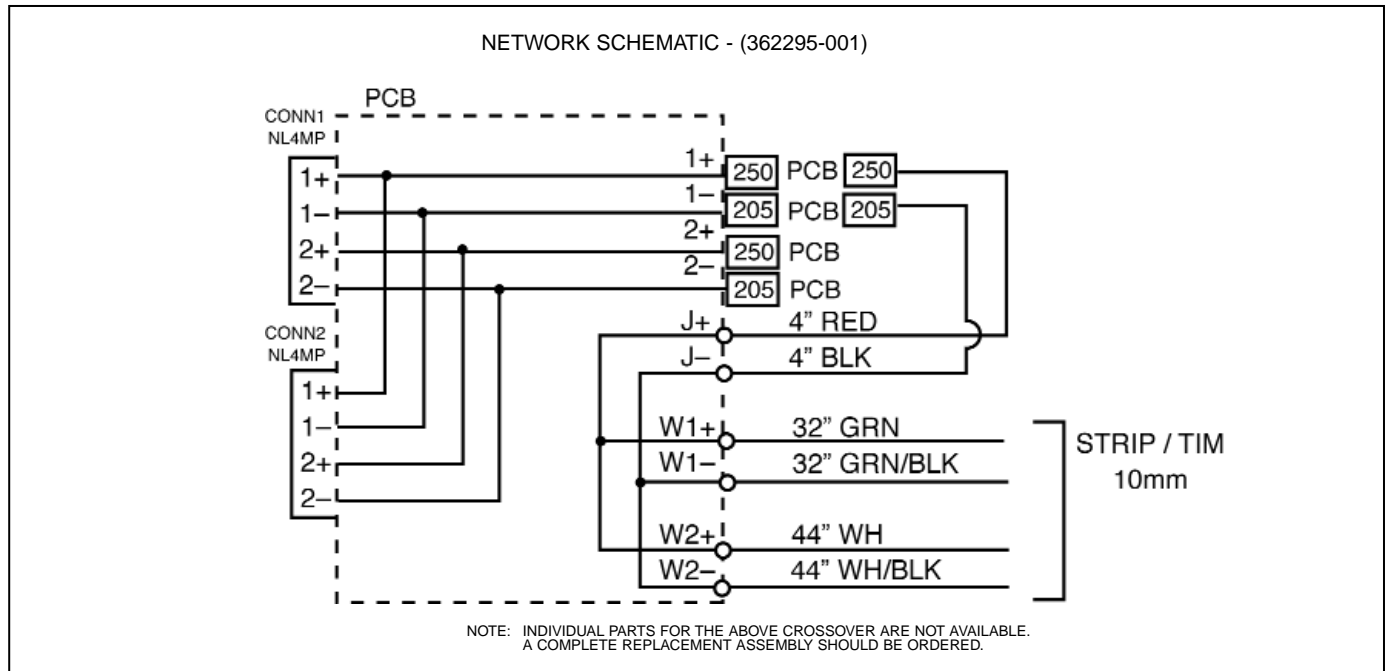
Warranty 59660

- Manual 362053-001
- Carton 362296-001
- Fillers (2) 362297-001
- Pkg, Microfoam (8) 49790P

WIRING DIAGRAM



NETWORK SCHEMATIC - (362295-001)



JBL MRX528S

COMPONENT EXPLODED VIEW

Note: Black Duraflex repair kit 30052

