

Technical Manual

JBL MRX518S



PROFESSIONAL

SPECIFICATIONS

ACOUSTIC & ELECTRICAL SPECIFICATIONS:

- Nominal Impedance: 4 Ohms
- Power Capacity: 500W / 1000W / 2000W, 2 hrs.
(Cont/ Prog/Peak): 400W / 800W / 1600W, 100 hrs
- Frequency Range: 40 Hz - 200 Hz (-10 dB)
- Frequency Response: 45 Hz – 200 Hz (±3 dB)
- Maximum SPL: 133 dB SPL continuous (139 dB SPL peak)
- System Sensitivity: 94 dB SPL (1 watt @ 1 meter)
- Crossover Freq.: 80 Hz, 24 - 28 dB/octave

SYSTEM COMPONENTS:

- Cabinet: Enclosure (Not for Sale)
- Grille: 362525-001
- Low Frequency Transducer: 2044G, 457 mm (18 in) woofers
- DC Resistance: 2.5 ohms ±10%

SYSTEM COMPONENTS: (CONT'D)

- Input Cup Assembly: 362238-001

AURAL SWEEP TEST SPECIFICATIONS:

- A. System Aural Sweep Test: 10.0V Input, 50 Hz to 1 kHz
- B. L.F. Aural Sweep Test: 5.0V Input, 20 Hz to 1 kHz

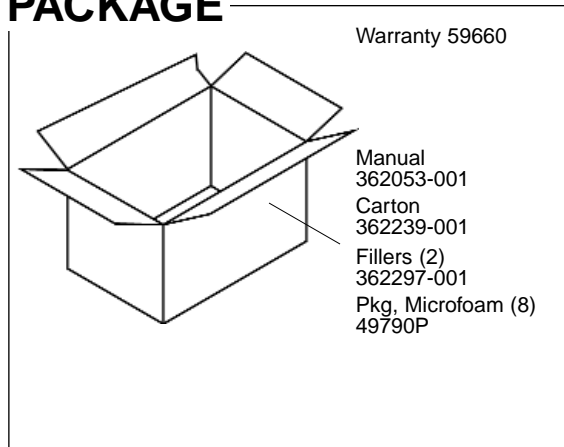
PHYSICAL SPECIFICATIONS:

- Enclosure Dimensions: 560 x 535 x 700 mm D
(H x W x D) (22 x 21 x 27.5 in D)
- Net Weight (ea): 72 lb (32.5 kg.)

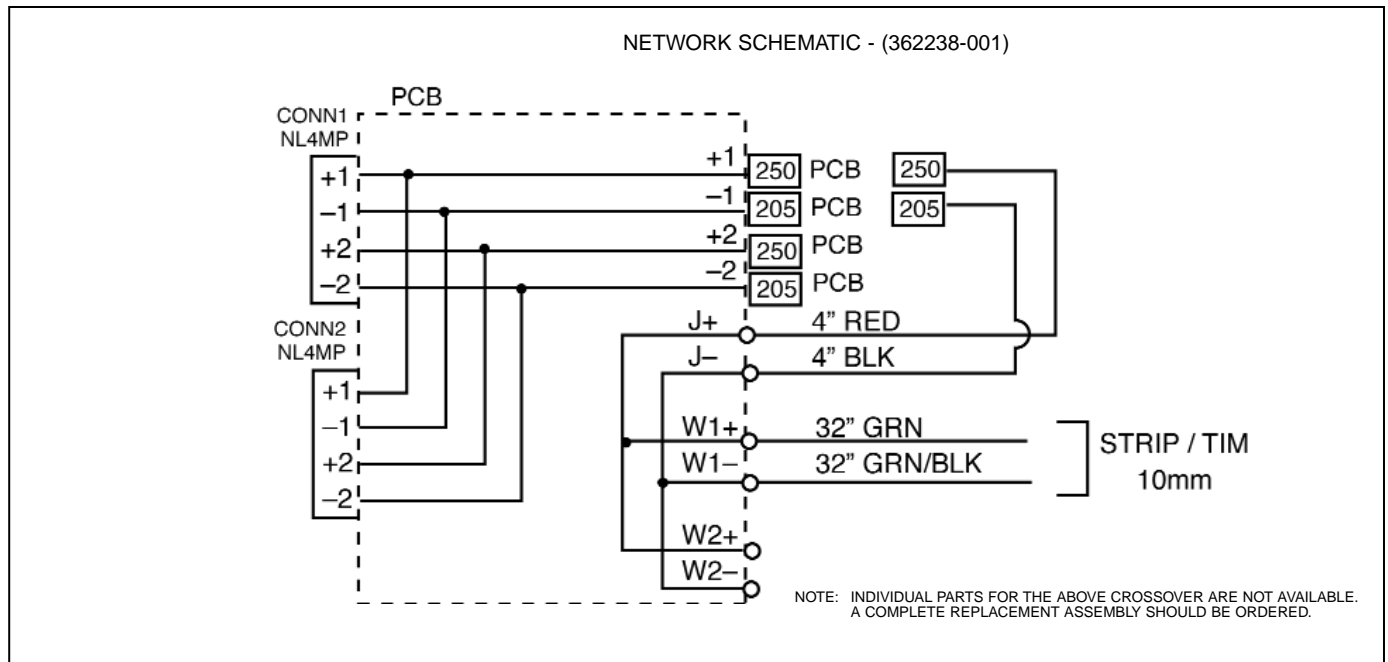
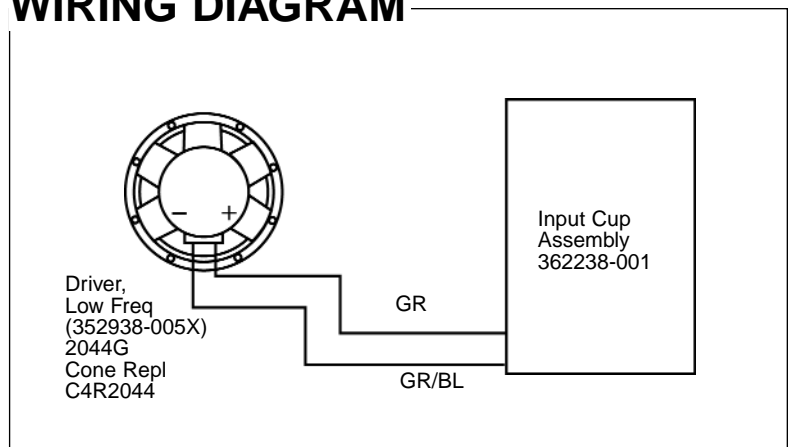
WARRANTY INFORMATION:

- Refer to Warranty Statement packed with each product.

PACKAGE



WIRING DIAGRAM



JBL MRX518S

COMPONENT EXPLODED VIEW

Note: Black Duraflex repair kit 30052

