

Technical Manual

JBL MR815

SPECIFICATIONS



ACOUSTIC & ELECTRICAL SPECIFICATIONS:

- Nominal Impedance: 8 ohm
- Power Capacity: Continuous Pink Noise: 300W
Peak Pink Noise: 1800W
- Frequency Range: 85 Hz to 4 kHz (+10dB)
- Sensitivity: 100 dB SPL*
- Crossover Frequencies: N/A

SYSTEM COMPONENTS:

- Cabinet: C8RM15
- Grille: GMR615 (73636)
- Low Frequency Transducer: 280mm (16 in.) Cone Transducer (M151-8)
- DC Resistance: 4.8 ohm ±10% - Aluminum Wire

* 1 Watt (2.83 V RMS) @ 1 Meter

SYSTEM COMPONENTS: (cont'd)

- Crossover Network: NMR815 (73662)

AURAL SWEEP TEST SPECIFICATIONS:

- A. System Aural Sweep Test: 7.0V Input, 20 Hz to 20 kHz
- B. L.F. Aural Sweep Test: 7.0V Input, 20 Hz to 8 kHz

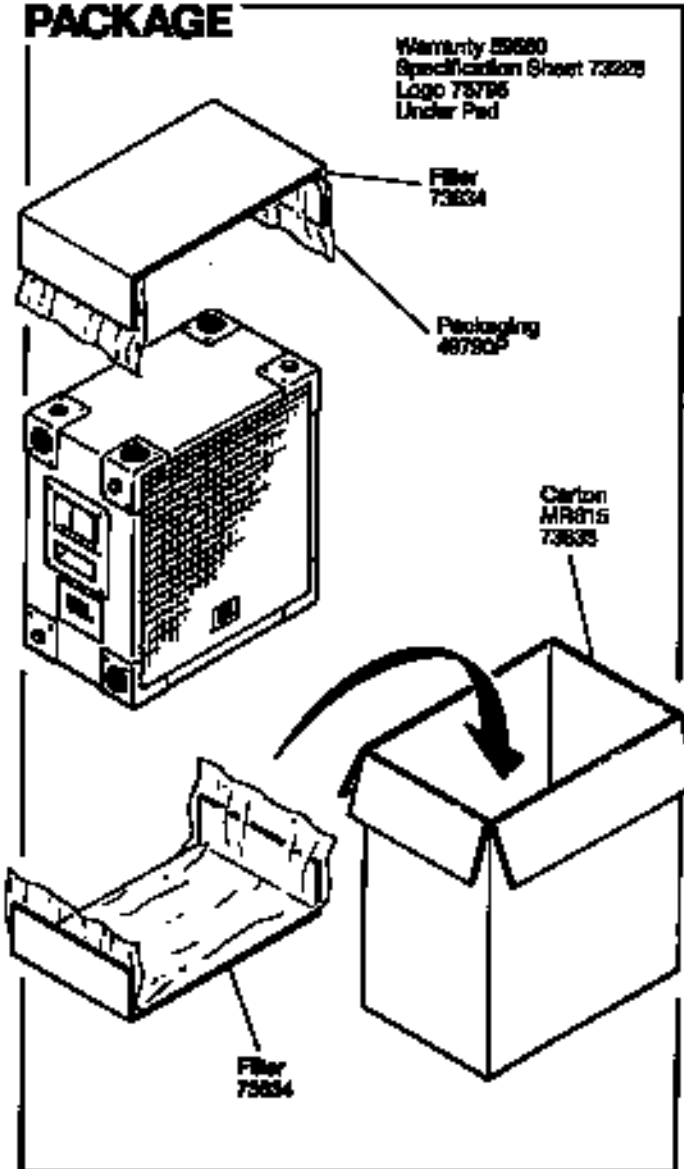
PHYSICAL SPECIFICATIONS:

- Enclosure Dimensions: 676mm x 627mm x 311mm D
(22.78 x 20.78 x 12.25 in. D)
- Shipping Weight: 66 lbs. (26.5 kg)

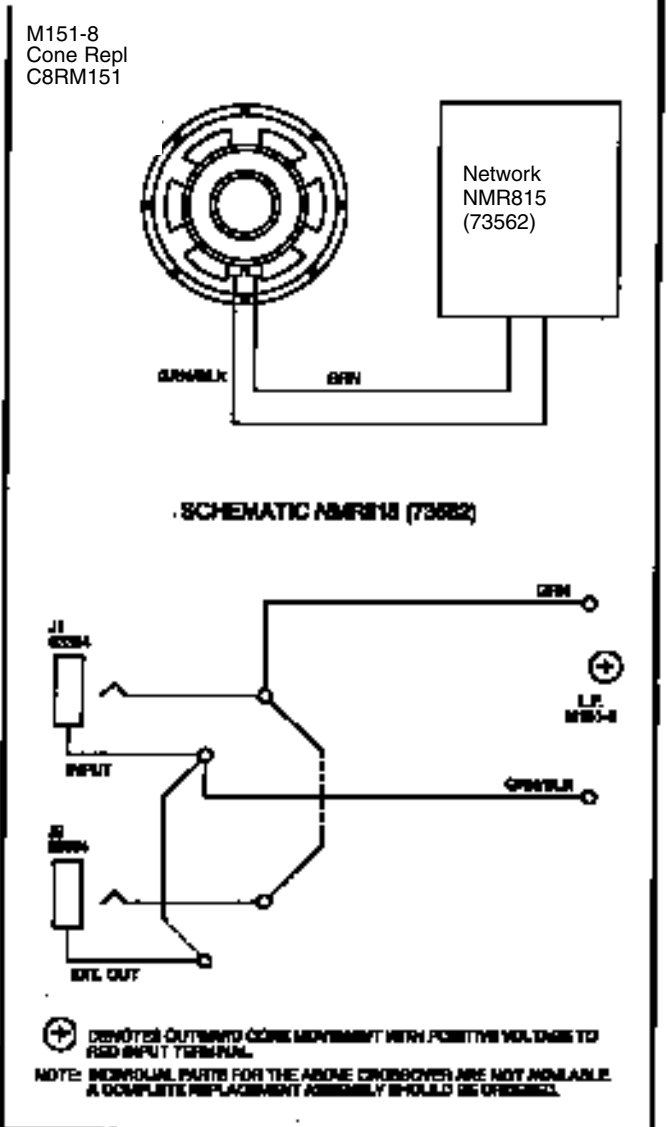
WARRANTY INFORMATION:

- Refer to the Warranty Statement packed with each product.

PACKAGE



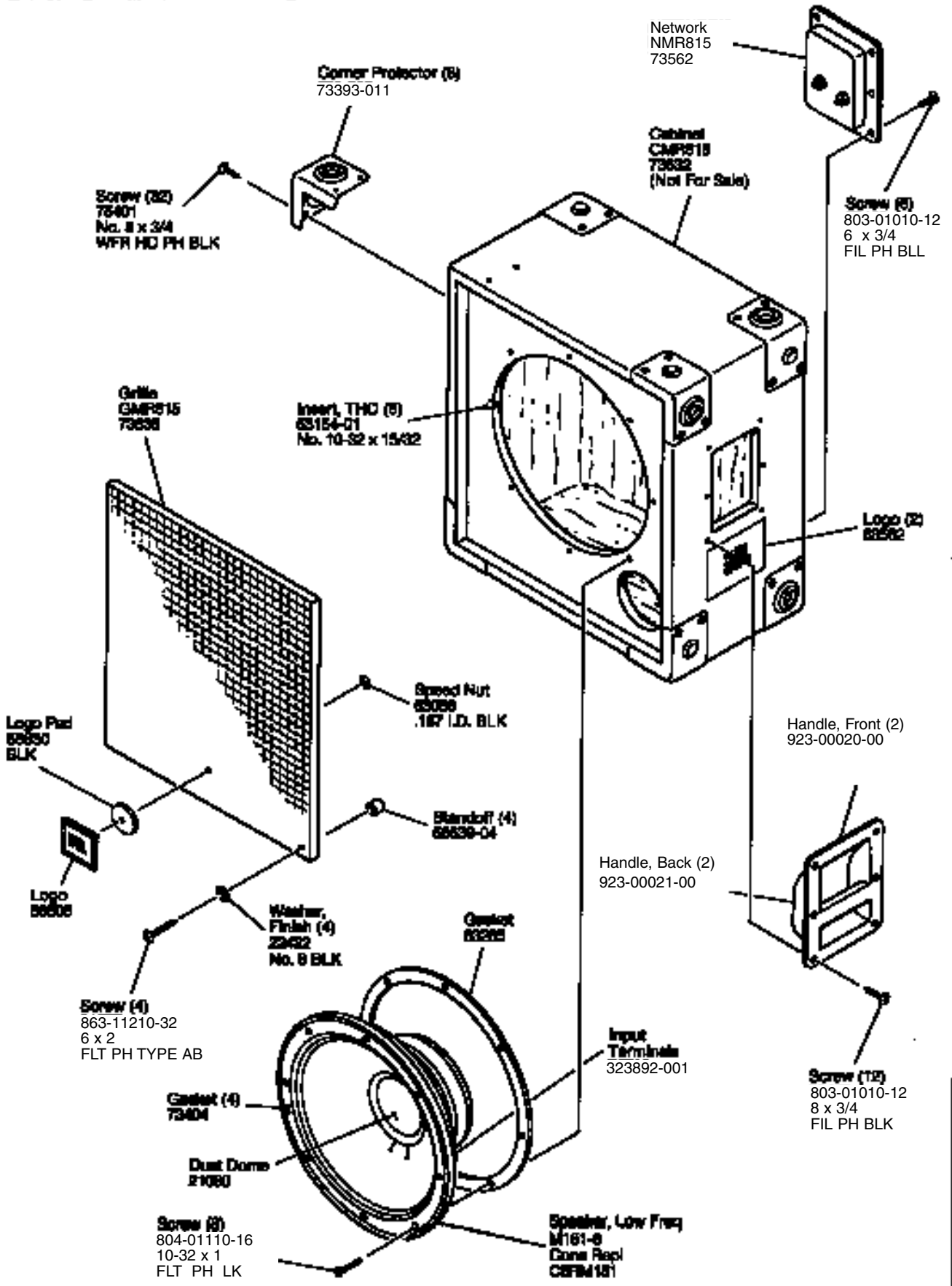
WIRING DIAGRAM



JBL MR815 REV. J1

JBL MR815

COMPONENT EXPLODED VIEW



JBL MR815