

Technical Manual

JBL MR812

SPECIFICATIONS



ACOUSTIC & ELECTRICAL SPECIFICATIONS:

- Nominal Impedance: 8 ohm
- Power Capacity: Continuous Pink Noise: 300W
Peak Pink Noise: 1200W
- Frequency Range: 60 Hz to 5.5 kHz (± 10 dB)
- Sensitivity: 100 dB SPL*
- Crossover Frequencies: N/A

SYSTEM COMPONENTS:

- Cabinet: CMR812
- Grille: GMR812 (73630)
- Low Frequency Transducer: 300mm (12 in.) Cone Transducer (M121-8)
- DC Resistance: 5.2 ohm $\pm 10\%$ - Aluminum Wire

*1 Watt (2.83 V RMS) @ 1 Meter

SYSTEM COMPONENTS: (cont'd)

- Crossover Network: NMR812 (73562)

AURAL SWEEP TEST SPECIFICATIONS:

- A. System Aural Sweep Test: 7.0V Input, 20 Hz to 20 kHz
- B. L.F. Aural Sweep Test: 7.0V Input, 20 Hz to 6 kHz

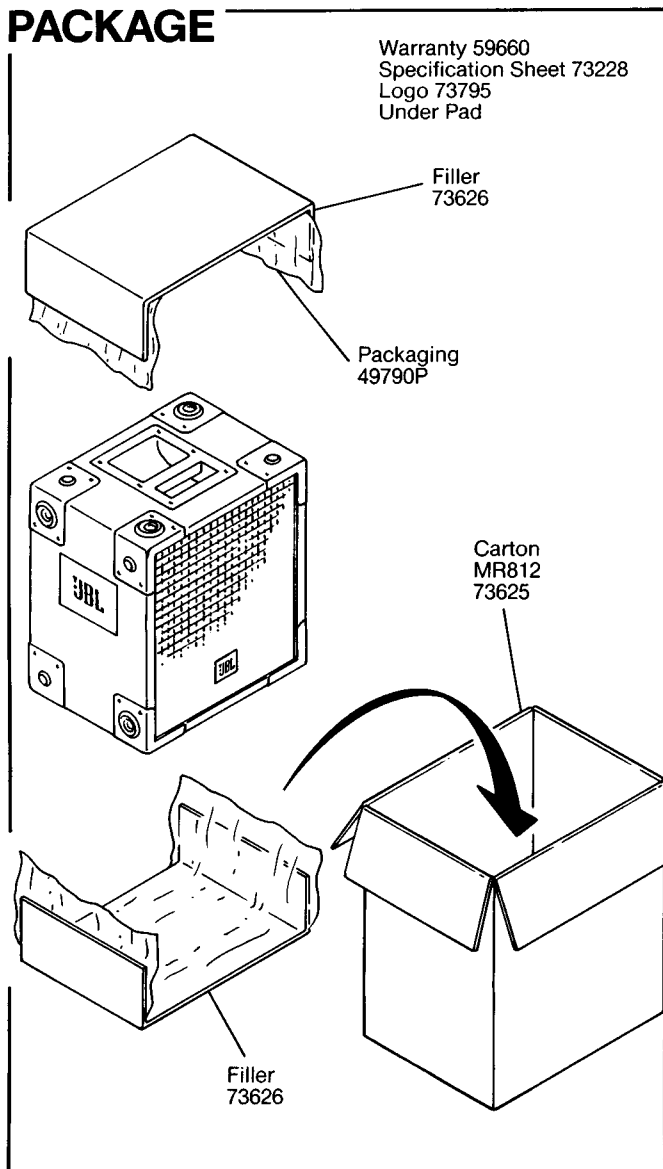
PHYSICAL SPECIFICATIONS:

- Enclosure Dimensions: 464mm x 413mm x 311mm D
(18.25 x 16.25 x 12.25 in. D)
- Shipping Weight: 46 lbs. (20.9 kg)

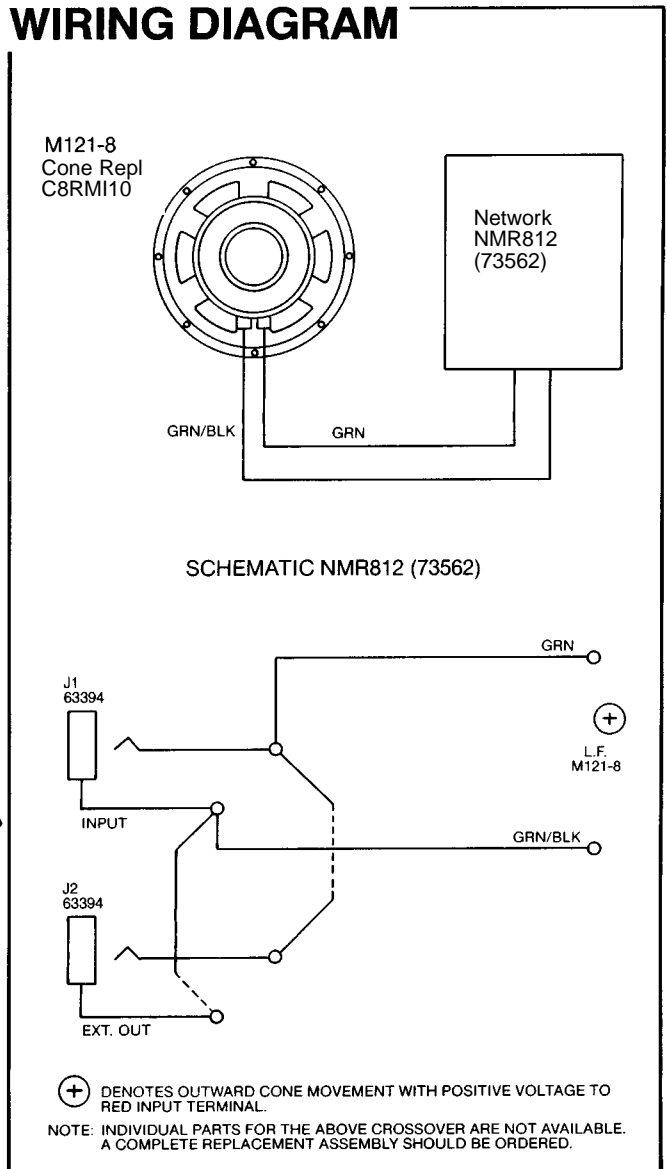
WARRANTY INFORMATION:

- Refer to the Warranty Statement packed with each product.

PACKAGE



WIRING DIAGRAM



JBL MR812 REV J

JBL MR812

COMPONENT EXPLODED VIEW

