

# Technical Manual



# JBL MP418SP/-1

## SPECIFICATIONS

PROFESSIONAL

### ACOUSTIC & ELECTRICAL SPECIFICATIONS:

- Nominal Impedance: 4 ohms
- Amplifier Power: 600W @ 4 ohms (Per Channel)  
400W @ 8 ohms (Per Channel)
- Frequency Range: 36 Hz – 150 Hz (-10 dB)
- Sensitivity: 101 dB, 1 Watt @ 1 Meter

### SYSTEM COMPONENTS:

- Cabinet: Enclosure MP418SP
- Grille: 128-00436-01
- Low Frequency Transducer: 460mm (18in.) 2241GPL, Cone Transducer (71126-03)
- DC Resistance: 2.5 ohm ±10% Aluminum Wire

### AURAL SWEEP TEST SPECIFICATIONS:

- A. System Aural Sweep Test: 4V Input, 20 Hz to 400 Hz
- B. L.F. Aural Sweep Test: 7.0V Input, 20 Hz to 1.2 kHz

### PHYSICAL SPECIFICATIONS:

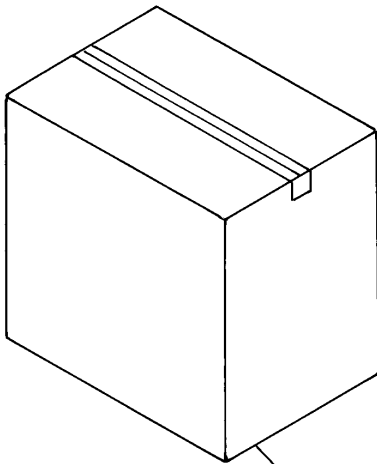
- Enclosure Dimensions: 617.9mm x 538.1mm x 776.6mm D  
(24.33 x 21.19 x 30.57 in.D.)
- Shipping Weight: 139 lbs. (63 kg.)

### WARRANTY INFORMATION:

- Refer to Warranty Statement packed with each product.

## PACKAGE

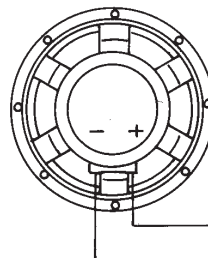
Warranty 59660  
 Owners Manual  
 MP418SP, MP418SP/230  
 338675-001



- Filler, Top/Bottom 337984-001
- Filler, Support 337985-001
- Microfoam SHT (8) 49790P
- Carton 337983-001

## WIRING DIAGRAM

Driver, Low Freq  
 2241GPL  
 (71126-03X)  
 Cone Repl  
 C4R2241



RED  
 BLK

AMP  
 338360-002  
 230V  
 338361-002

SEE SCHEMATIC PAGE

# JBL MP418SP/-1

## COMPONENT EXPLODED VIEW

