

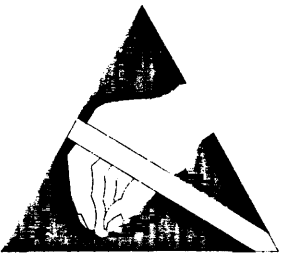
REVISION HISTORY

E. C. N.	REV	DESCRIPTION	DATE	APPROVED			
				DWN	CHK	CM	PE
	1	RELEASE FOR PROTOTYPE.	02/19/01	JAW	<i>JLM</i>	<i>CB</i>	TAS

UNLESS OTHERWISE SPECIFIED, THIS PRINTED WIRING ASSEMBLY SHALL MEET THE SPECIFICATION DESCRIBED IN IPC-A-610 CLASS 2 STANDARDS.

NOTES:

1. PRINTED WIRING BOARD PART NUMBER 131924-1.
2. ALL LEADS SHALL BE TRIMMED TO 0.093" OR LESS.
3. POSITION COMPONENTS AS SHOWN ON COMPONENT MAPS.
4. THE PRINTED WIRING ASSEMBLY PART NUMBER FOR THIS ASSEMBLY SHALL BE MARKED ON THE PRINTED WIRING BOARD AND SHALL BE PERMANENT.
5. APPLY BAR CODE LABEL (101016-1) AT LOCATION SHOWN ON COMPONENT MAP.



**CAUTION**

STATIC CAN DAMAGE COMPONENTS!


**DO NOT HANDLE**

UNLESS WRIST STRAP IS WORN

THESE DRAWINGS AND SPECIFICATIONS ARE THE PROPERTY OF CROWN INTERNATIONAL, INC. AND SHALL NOT BE REPRODUCED, COPIED, OR USED AS THE BASIS FOR THE MANUFACTURE OR SALE OF APPARATUS OR DEVICES WITHOUT PERMISSION.

**UNCONTROLLED**

UNLESS OTHERWISE MARKED IN RED INK BY CM AS A CONTROLLED COPY, COPIES OF THESE DOCUMENTS INCLUDING ASSOCIATED ELECTRONIC REPRODUCTIONS ARE FOR REFERENCE ONLY.

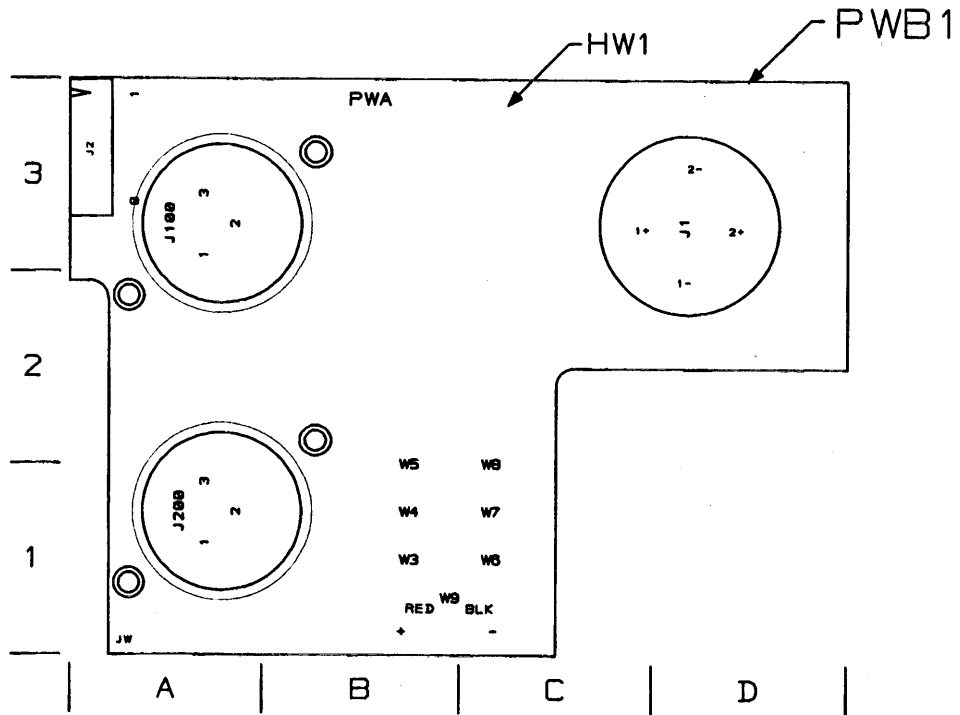
DISTRIBUTION		DWN	JAW	02/19/01	 <b>CROWN</b> INTERNATIONAL, INC. 1718 W. MISHAWAKA RD. ELKHART IN. 46517 PHONE (219) 294-8000 WWW.CROWNINTL.COM
ND		CHK	<i>JLM</i>	<i>02/20/01</i>	
FILENAME		CM	<i>CB</i>	<i>2/20/01</i>	
131625-1_1_01.PCB		PE	<i>TAS</i>	<i>02-20-01</i>	
TOLERANCE UNLESS OTHERWISE SPECIFIED					TITLE
.00 - ±.02"					PWA, INPUT/OUTPUT
.000 - ±.010"					
DRILLS - ±.003"					SIZE DWG NO.
DO NOT SCALE DRAWING					A 131625-1
					REV 1
					SCALE NONE   PROJ NO. MD459P0   SHEET 1 OF 5





# COMPONENT MAP

## COMPONENT SIDE

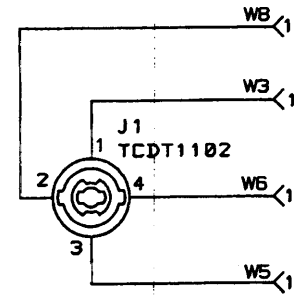
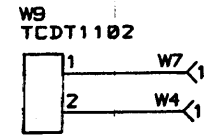
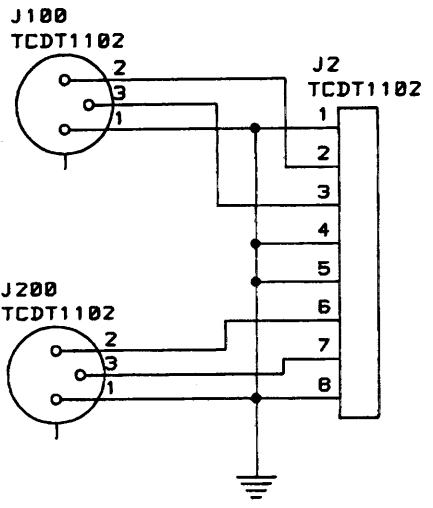


### UNCONTROLLED

UNLESS OTHERWISE MARKED IN RED INK BY CM AS A CONTROLLED COPY, COPIES OF THESE DOCUMENTS INCLUDING ASSOCIATED ELECTRONIC REPRODUCTIONS ARE FOR REFERENCE ONLY.

THESE DRAWINGS AND SPECIFICATIONS ARE THE PROPERTY OF CROWN INTERNATIONAL, INC. AND SHALL NOT BE REPRODUCED, COPIED, OR USED AS THE BASIS FOR THE MANUFACTURE OR SALE OF APPARATUS OR DEVICES WITHOUT PERMISSION

SIZE	DWG NO.		REV
A	131625-1		1
SCALE	NONE	PROJ NO. MD459PR	SHEET 4 OF 5



- NOTES:
1. UNLESS OTHERWISE SPECIFIED:  
ALL RESISTORS ARE IN OHMS.  
1/10W. 1%
  2. UNLESS OTHERWISE SPECIFIED:  
ALL CAPACITORS ARE IN MICROFARADS.

**UNCONTROLLED**

UNLESS OTHERWISE MARKED IN RED INK BY CM AS A CONTROLLED COPY. COPIES OF THESE DOCUMENTS INCLUDING ASSOCIATED

THESE DRAWINGS AND SPECIFICATIONS ARE THE PROPERTY OF CROWN INTERNATIONAL, INC. AND SHALL NOT BE REPRODUCED, COPIED, OR USED AS THE BASIS FOR THE MANUFACTURE OR SALE OF APPARATUS OR DEVICES WITHOUT

SIZE	DWG NO.
A	131625-1

REV
1