

Technical Manual

JBL MP255S

SPECIFICATIONS



ACOUSTIC & ELECTRICAL SPECIFICATIONS:

- Nominal Impedance: 4 ohms
- Power Capacity: 500W (IEC Filtered Noise, 100 Hours)
- Frequency Range: 34 Hz – 200 Hz (-10dB)
- Sensitivity: 98 dB SPL, 1 Watt @ 1 Meter
- Crossover Frequency: 200 Hz

SYSTEM COMPONENTS:

- Cabinet: Enclosure MP255S
- Grille: 128-00441-01
- Low Frequency Transducer: 380mm (15 in.) M115-8A (2)
- DC Resistance: 5.3 ohms
- Crossover Network: 336989-003

AURAL SWEEP TEST SPECIFICATIONS:

- A. System Aural Sweep Test: 7.0V Input, 20 Hz to 1.2 kHz
- B. L.F. Aural Sweep Test: 7.0V Input, 20 Hz to 1.2 kHz

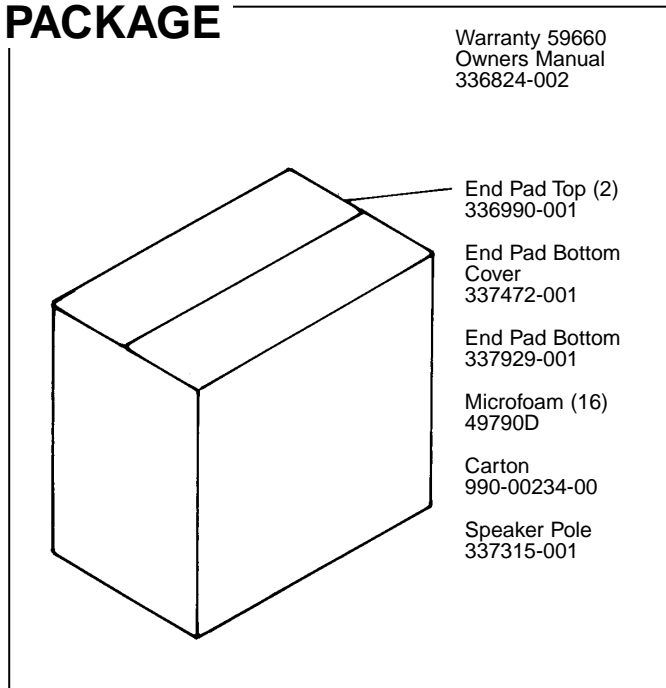
PHYSICAL SPECIFICATIONS:

- Enclosure Dimensions: 950.2mm x 527.1mm x 940.2mm D (37.4 x 20.75 x 37.0 in. D)
- Net Weight: 115 lbs. (52.2 kg.)

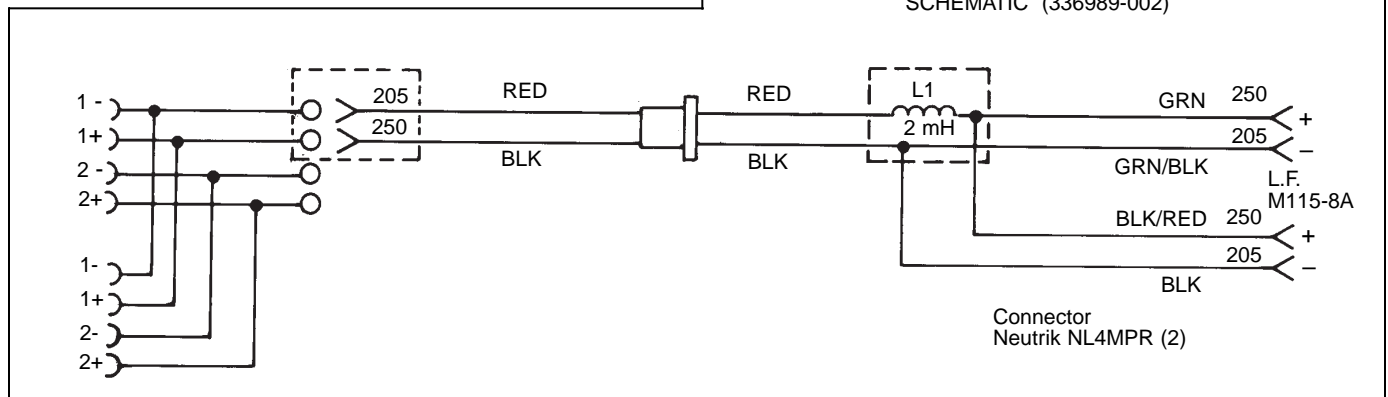
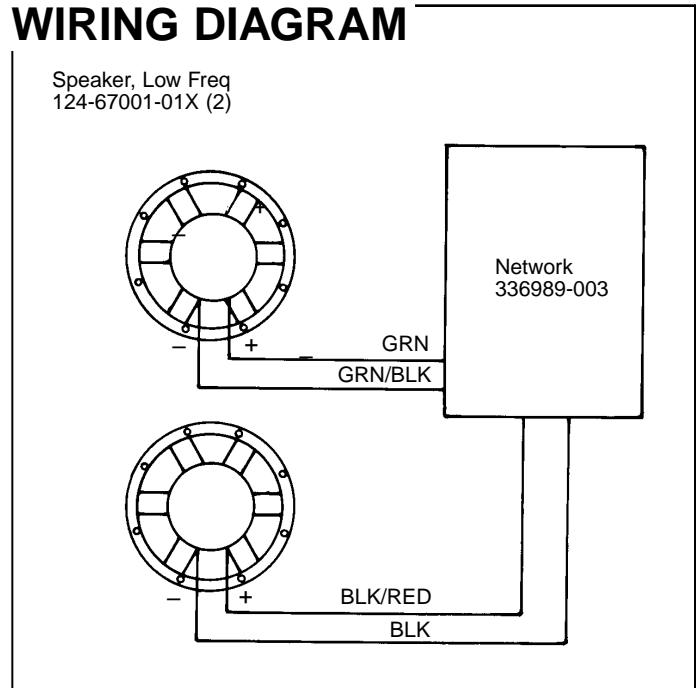
WARRANTY INFORMATION:

- Refer to Warranty Statement packed with each product.

PACKAGE



WIRING DIAGRAM



JBL MP255S

COMPONENT EXPLODED VIEW

