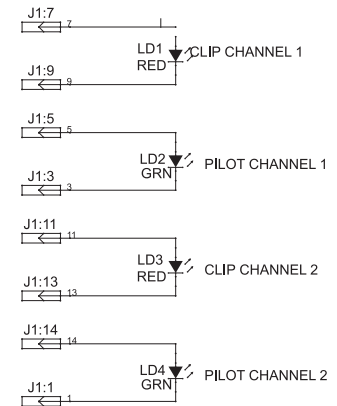


1. ALL RESISTOR VALUES ARE IN OHM 5%, 1/4W, MPC200/200T INPUT PCB

SH-000047-00



MPC200/200T DISPLAY PCB

SH-000048-00 A