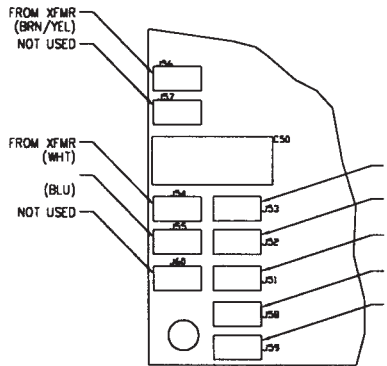
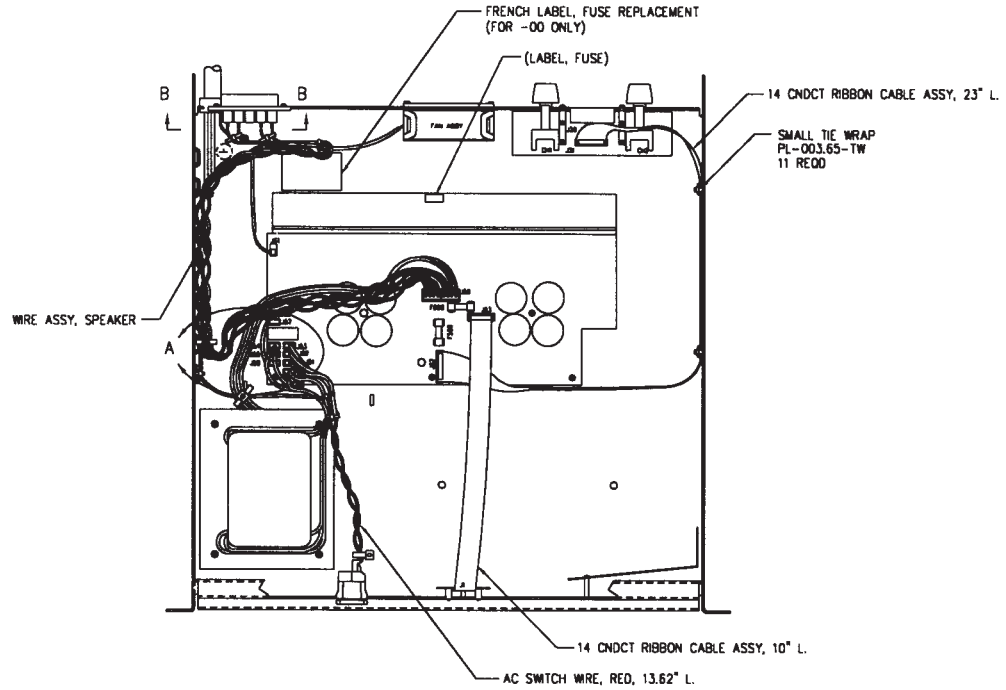
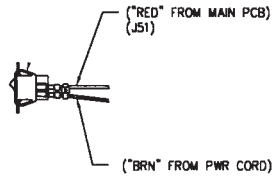
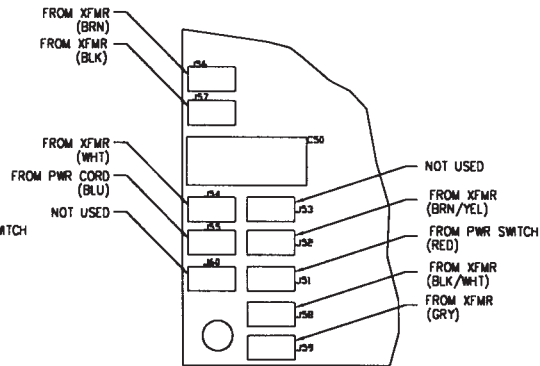


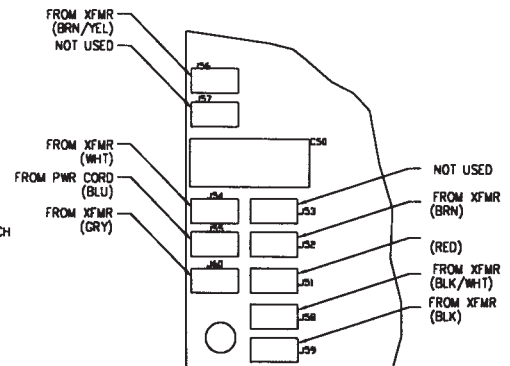
VIEW B-B



VIEW A
MAIN PCB AC ASSY FOR 120V
FOR -00 ONLY



VIEW A
MAIN PCB AC ASSY FOR 100V
FOR -01 ONLY



VIEW A
MAIN PCB AC ASSY FOR 230V
FOR -03 ONLY

