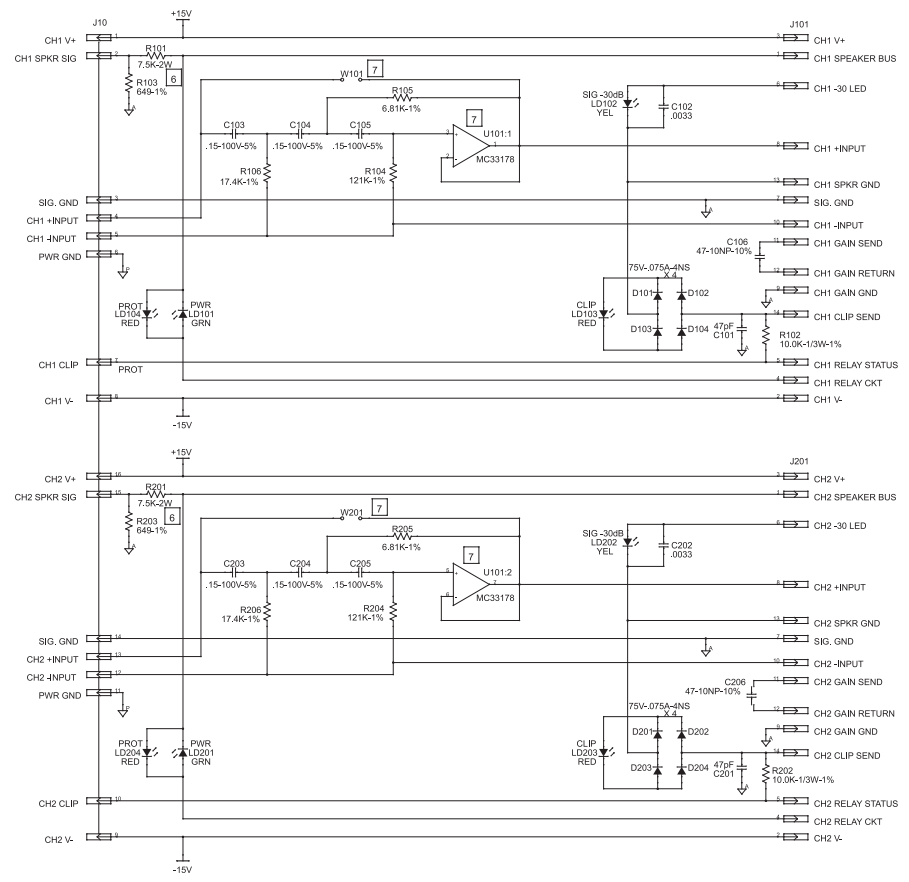


REVISIONS				
ZONE	REV	DESCRIPTION	DATE	APPROVED

CH1

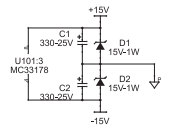
CH2



7 CONFIGURATION OF JUMPERS AND OPAMPS TO MODELS:

MODEL	ASSEMBLY NO.	W101/201	U101:1/2
CX6	WP-000944-00	IN PLACE	REMOVED
CX6T	WP-000944-01	CUT/REMOVED	INSTALLED
CX12	WP-000944-02	IN PLACE	REMOVED
CX12T	WP-000944-03	CUT/REMOVED	INSTALLED

- 6 FOR CX12: R103/203 VALUE IS 487-1%.  
R101/201 VALUE IS 8.2K-2W.
- PARTS IN COMMON TO BOTH CHANNELS NUMBERED 1-99.
  - CH 2 COMPONENTS NUMBERED 201-299.
  - CH 1 COMPONENTS NUMBERED 101-199.
  - ALL RESISTORS IN OHMS 1/4 WATT 5%.
  - ALL CAPACITORS IN uF 25V.
- NOTES: UNLESS OTHERWISE SPECIFIED



SCHMATIC DIAGRAM  
DISPLAY BOARD MPC300/MPC600,  
MPC300T/MPC600T

B 1 SH-000944-XX