

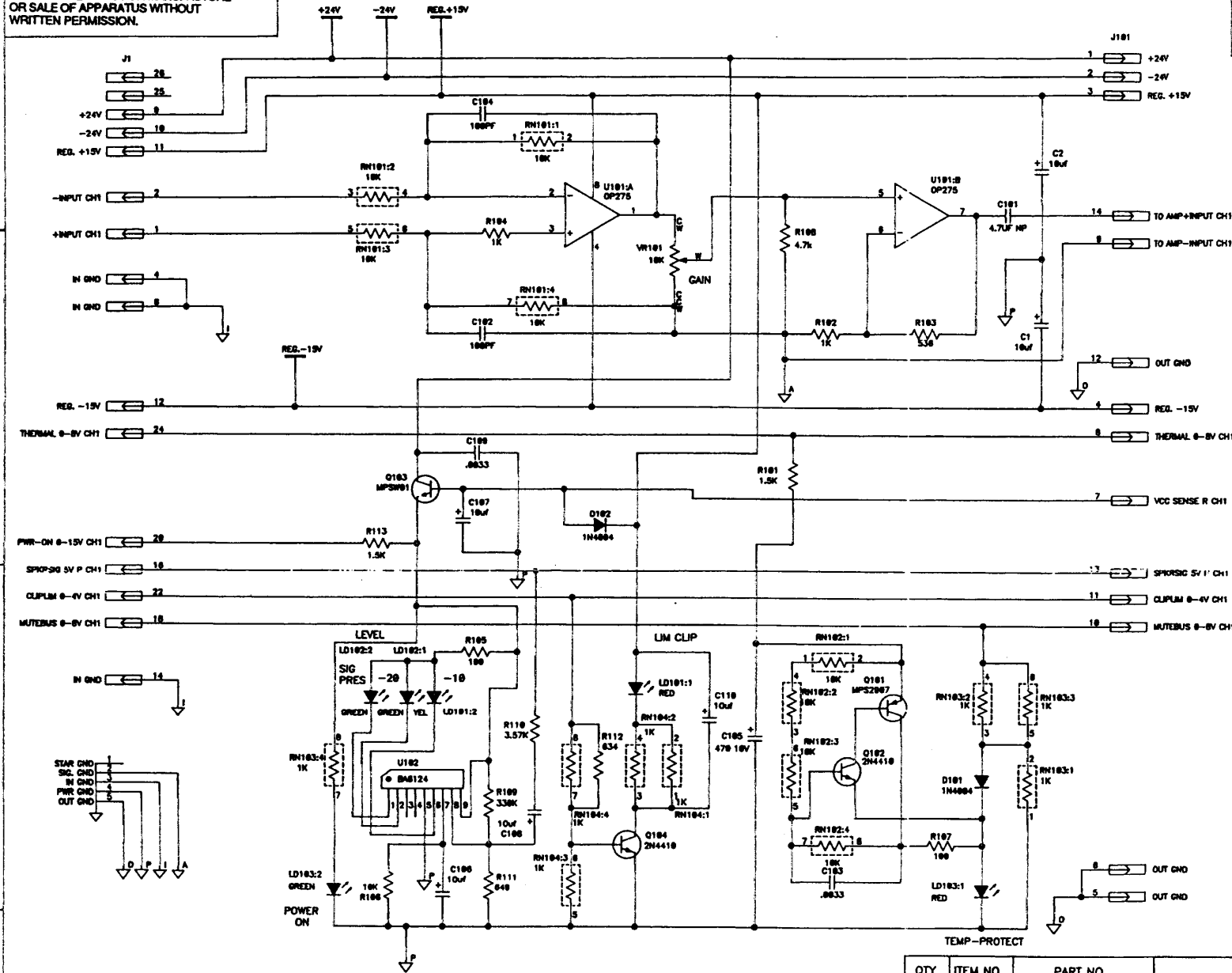
THESE DRAWINGS AND SPECIFICATIONS ARE THE PROPERTY OF JBL PROFESSIONAL PRODUCTS. THEY ARE ISSUED IN STRICT CONFIDENCE AND SHALL NOT BE REPRODUCED, COPIED, OR USED AS THE BASIS FOR MANUFACTURE OR SALE OF APPARATUS WITHOUT WRITTEN PERMISSION.

MPA SERIES DISPLAY BOARD

PC-002750-00, REV B FILE: PC2750B2.P3B

REVISIONS

ZONE	REV	DESCRIPTION	DATE	APPROVED
	A	PROD REL PER ECO 1671	12\1\92	SGM
	B	REVISED PER ECO 1721 AC	12\23\92	SGM
	C	REVISED PER ECO 1696 AC	1-19-93	SGM

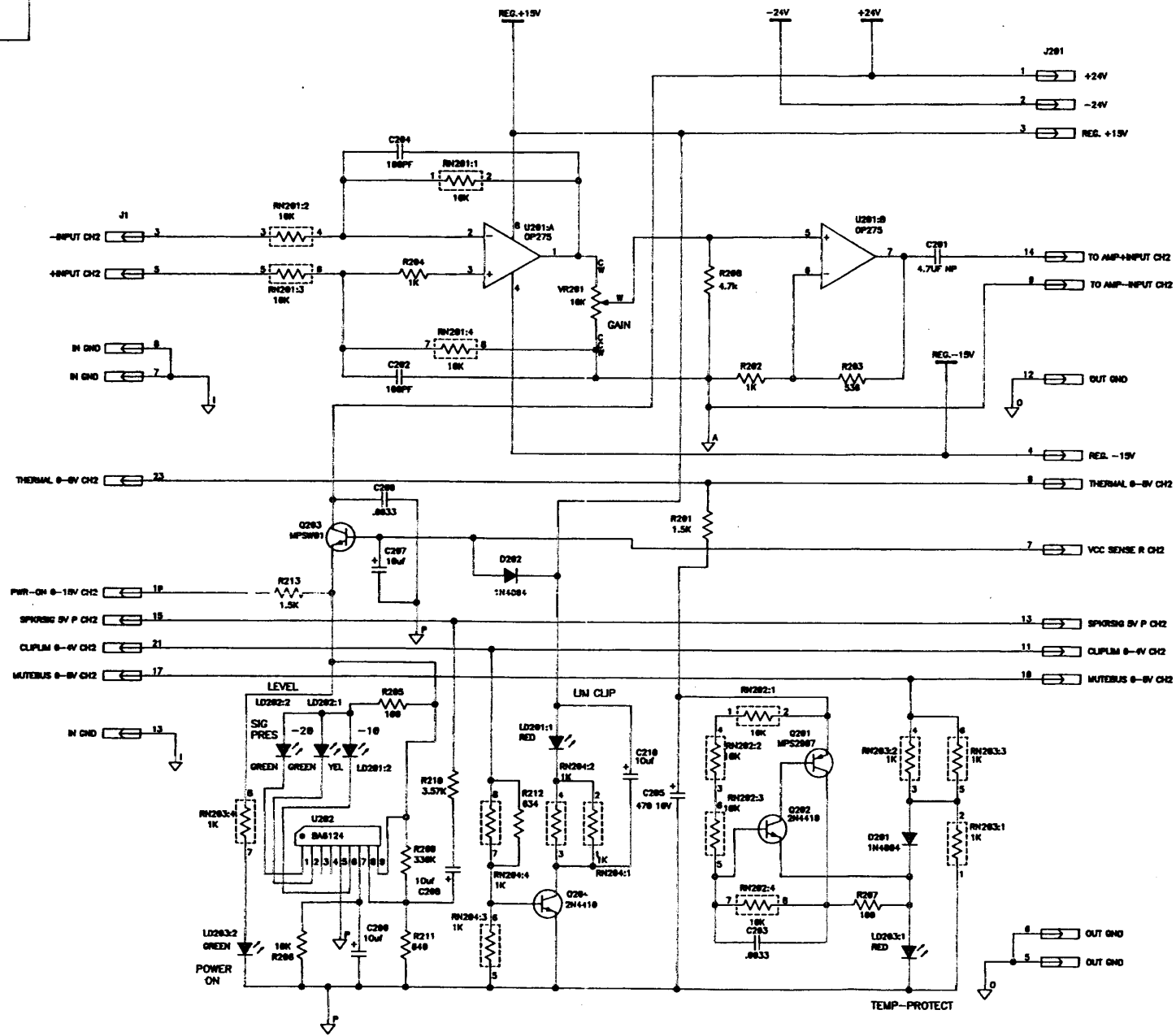


NOTES:

1. ALL RESISTORS 1/4 WATT UNLESS SPECIFIED
2. ALL CAPACITORS 25V UNLESS SPECIFIED.
3. CH 1 COMPONENTS NUMBERED 101-199
4. CH 2 COMPONENTS NUMBERED 201-299
5. PARTS IN COMMON TO BOTH CHANNELS NUMBERED 1-99.
6. U102, 202 ROHM BA6124 OR SAMSUNG KA2284/85.
7. LD 101:1, 201:1, 103:1, 203:1, HIGH-EFFICIENCY RED LED.
8. LD 101:2, 201:2, HIGH-EFFICIENCY YELLOW LED.
9. LD 102:1, 102:2, 103:2, 202:1, 202:2, 203:2, HIGH-EFFICIENCY GREEN LED.

QTY	ITEM NO.	PART NO.	DESCRIPTION	VENDOR
PARTS LIST				
UNLESS OTHERWISE SPECIFIED DIMENSIONS ARE IN INCHES. DIMENSIONS PER ANSI Y14.5-1982 TOLERANCES ARE:			JBL Professional Products Northridge, California	
DECIMALS	DECIMALS	ANGLES		
.XX ±	.XXX ±	0	APPROVALS	DATE
DEBURR EDGES .003 R MAX MATERIAL			DRAWN	12/3/92
FINISH			CHECKED	12/3/92
APPLICATION			ISSUED	12/3/92
WP-002753-00	MPA SERIES	CONTRACT NO.	S.G. MORALES CAD SEED FILE NO.	
NEXT ASSY	USED ON	SCALE	SIZE C FSCM NO. SH-002750-00 DWG NO. SH-002750-00 REV C	SGM 12/3/92
DO NOT SCALE DRAWING			CAD FILE NO.	SH2750C.S01 SHEET 1 OF 2

THESE DRAWINGS AND SPECIFICATIONS ARE THE PROPERTY OF JBL PROFESSIONAL PRODUCTS. THEY ARE ISSUED IN STRICT CONFIDENCE AND SHALL NOT BE REPRODUCED, COPIED, OR USED AS THE BASIS FOR MANUFACTURE OR SALE OF APPARATUS WITHOUT WRITTEN PERMISSION.



SIZE	FSCM NO.	DWG NO.	REV
C		SH-002750-00	C
SCALE	CAD FILE NO.	SHEET	2 OF 2
	SH2750C.S02		