

Technical Manual



JBL IM-30

SPECIFICATIONS

MPA SERIES

1/4" Connectors:

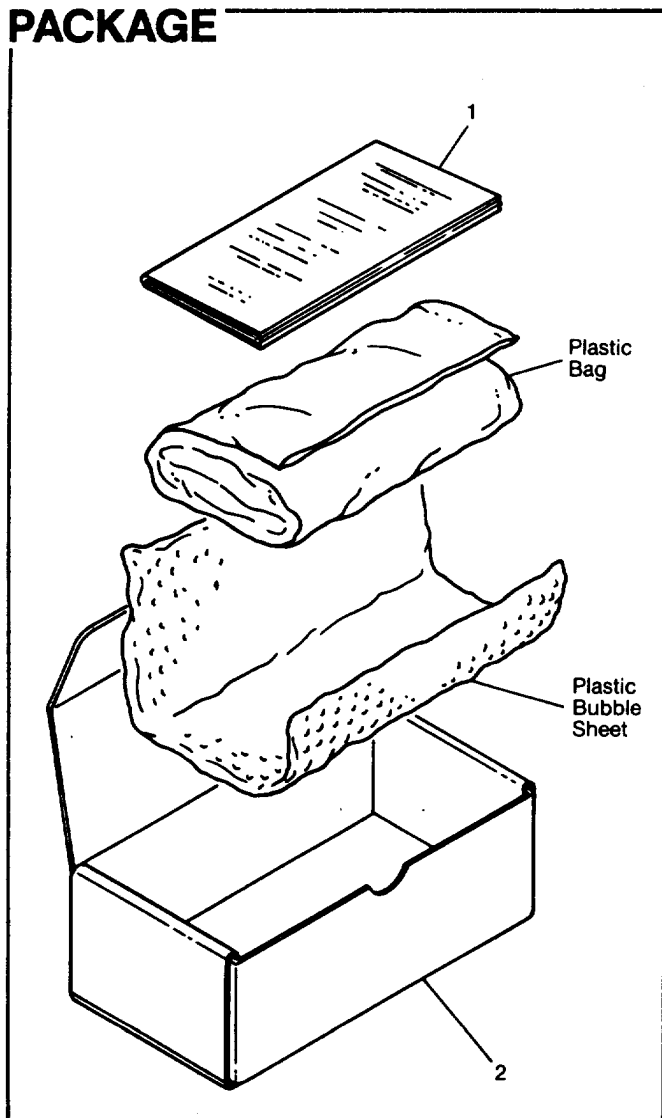
Tip - Inverting (-)
Ring - Non-inverting (+)
Sleeve - Ground

XLR Connectors:

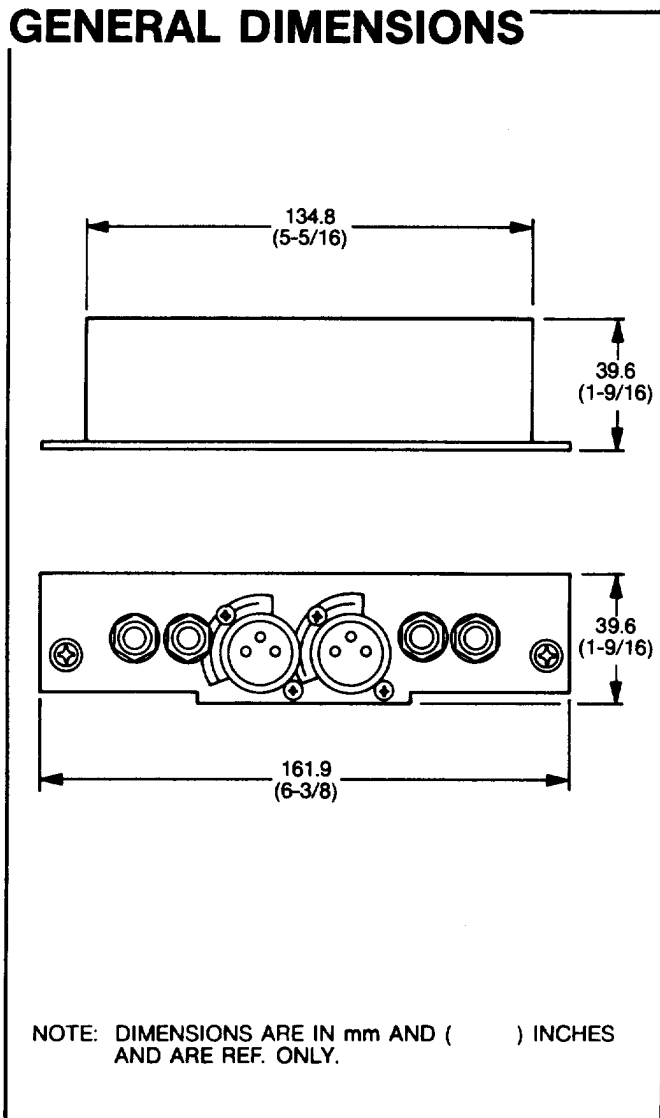
Pin 1 - Ground
Pin 2 - Non-inverting (+)
Pin 3 - Inverting (-)

All connectors for each channel are wired in parallel, and should therefore never be used to combine input signals. **Connecting more than one source to the same channel will result in damage to the source unit.**

PACKAGE



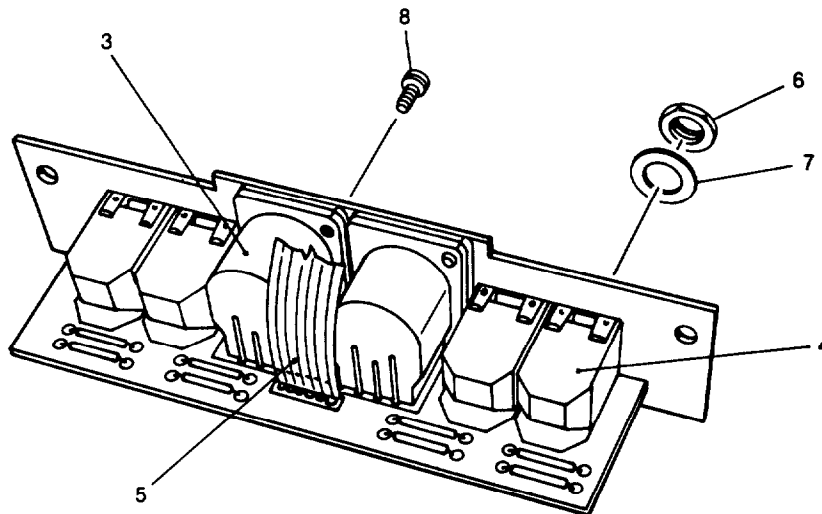
GENERAL DIMENSIONS



NOTE: DIMENSIONS ARE IN mm AND () INCHES AND ARE REF. ONLY.

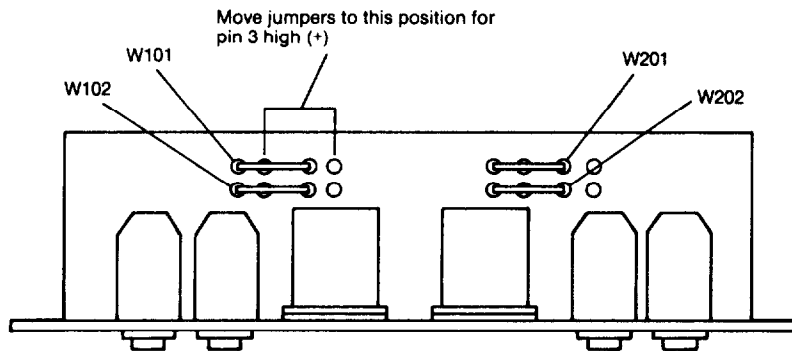
JBL IM-30

COMPONENT EXPLODED VIEW



POLARITY CONFIGURATION

The IM-30 is shipped with XLR pin 2 high. Some systems may require pin 3 high. This may be accomplished by relocating jumper wires on the IM-30 as shown below:



All four jumpers must be set in the same position.

COMPONENT PARTS LIST

Item	Part No.	Qty.	Description	Ref. Des.
1	TD-002751-00	1	Owner's Manual, IM-30	
2	PM-004018-00	1	Ctn. IM Series	
3	CO-000051-CO	2	XLR Male, PC mt	J103, J203
4	CO-108112-PJ	4	1/4 Phone Jack, PC mt	J101, J102, J201, J202
5	WC-003078-00	1	Cable Assy, 5 cond., flat	W10
6	NW-380803-HN	4	3/8" Dress Nut	

Item	Part No.	Qty.	Description	Ref. Des.
7	NW-040401-FW	4	3/8" Dress Washer	
8	SC-030000-SC	4	Screw, 3mm x 8mm, p/p, blk	
9				
10				
11				
12				