

Technical Manual

JBL IM-11

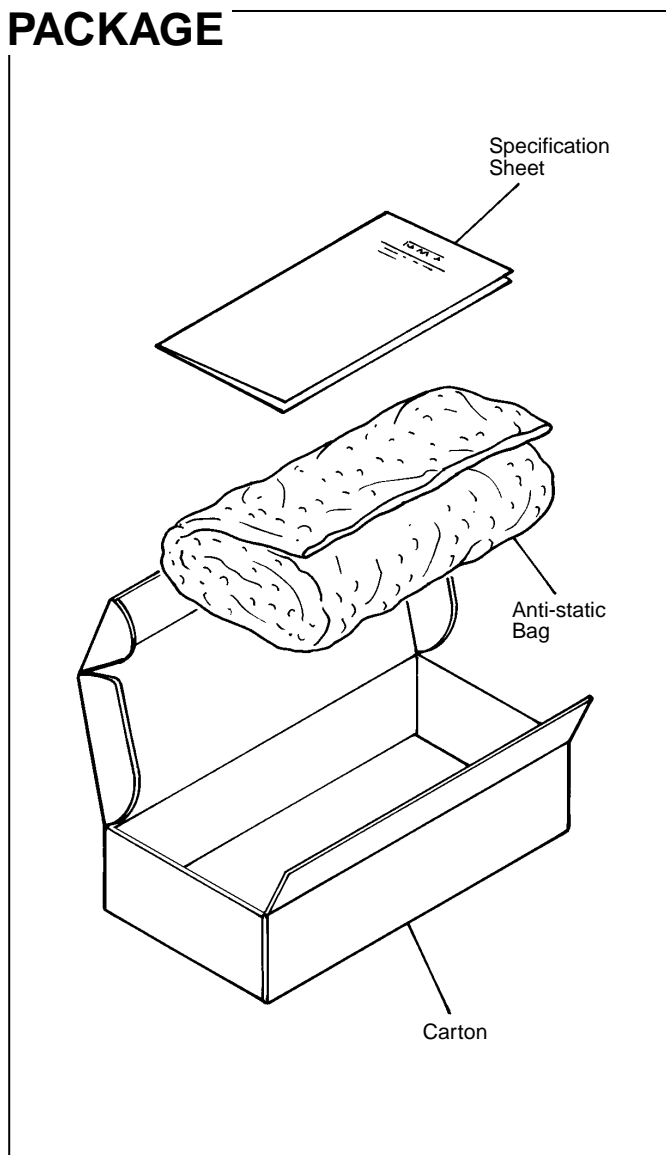
SPECIFICATIONS



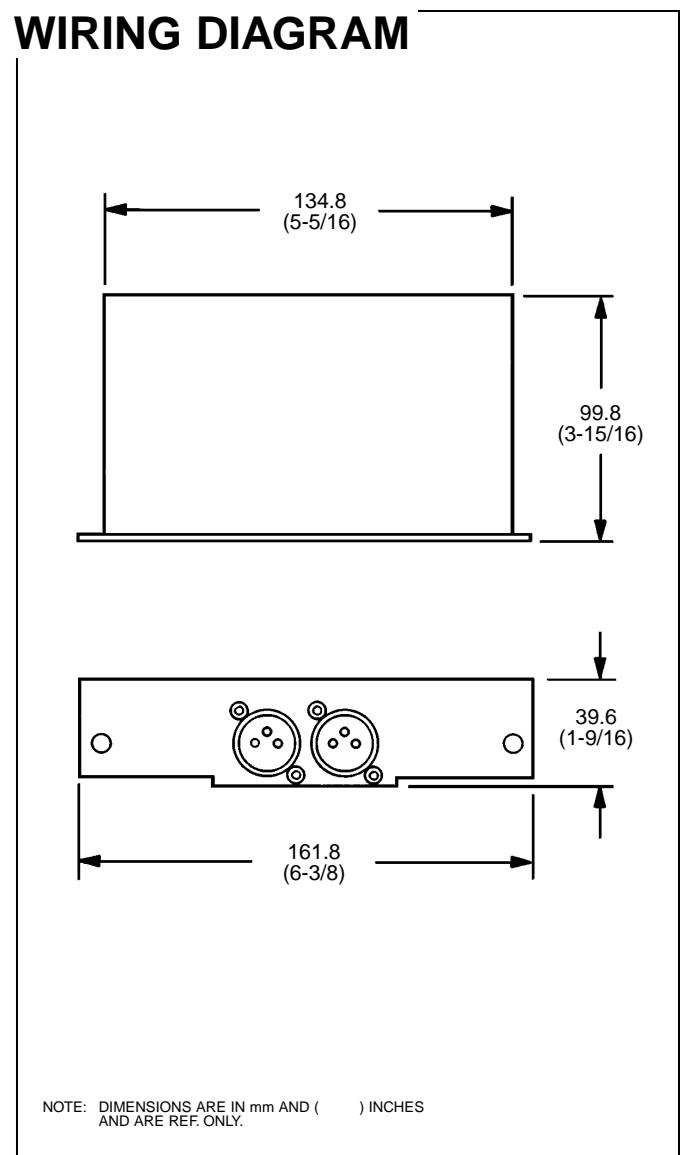
ACOUSTIC & ELECTRICAL SPECIFICATIONS:

- SEE SPECIFICATION SHEET IN PRODUCT PACKAGE.

PACKAGE

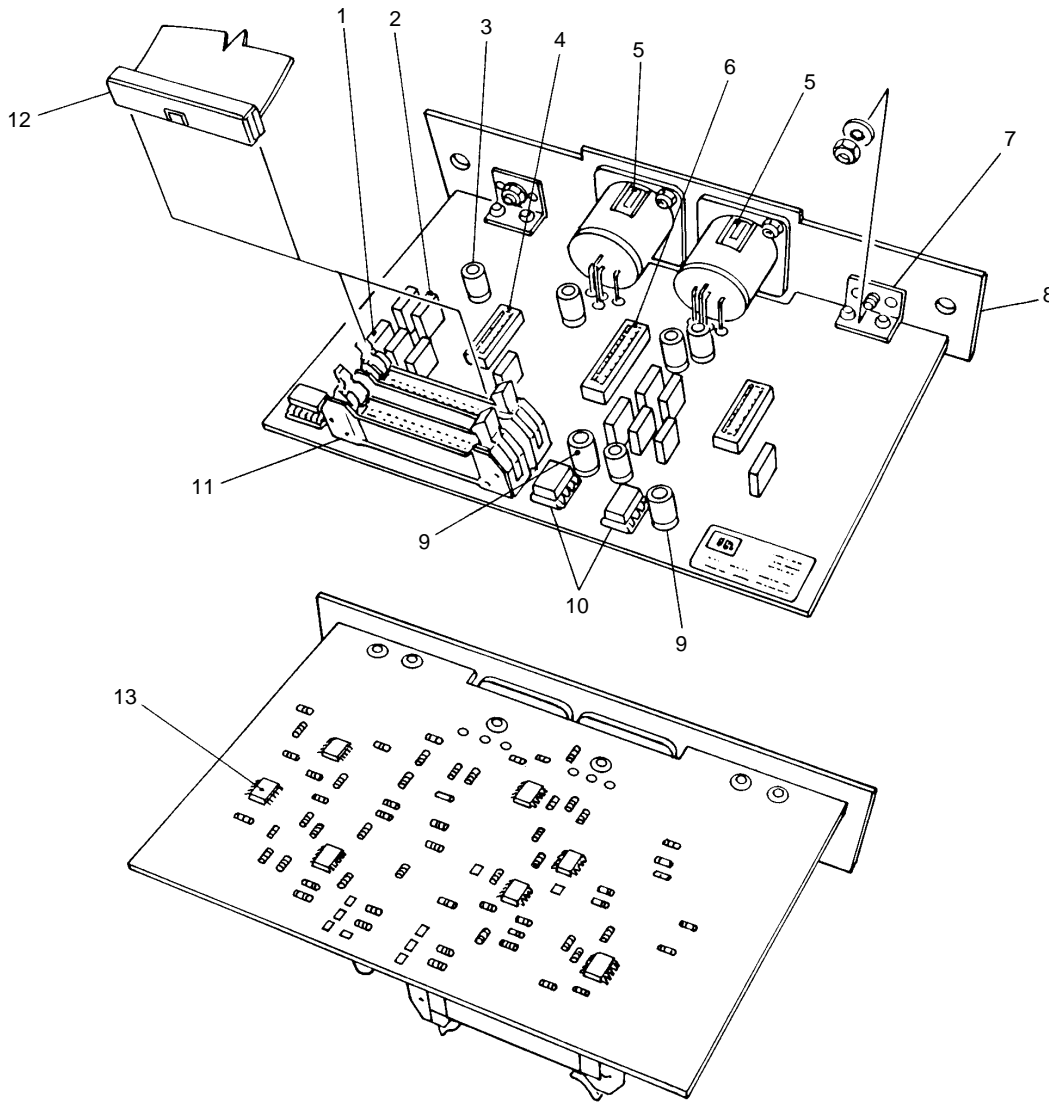


WIRING DIAGRAM



JBL IM-11

COMPONENT EXPLODED VIEW



COMPONENT PARTS LIST

ITEM NO.	PART NO.	QTY.	DESCRIPTION	REF. DES.
1	231422	6	RAD CAP POLY. 220nF/63 5%	C108, C109, C110, C208 C209, C210
2	231410	6	RAD CAP POLY. 100nF/63V 5%	C105, C106, C107, C205 C206, C207
3	211623	5	RAD CAP LYT 22 μ F \geq 50V / 1-1,5	C111, C112, C211, C212 C906
4	710506	2	DIP SW. 6 POLE	SW100, SW200
5	720022	2	XLR PCB MALE 90D ANGLE	CON200, CON100
6	710508	1	DIP SW. 8 POLE	SW1
7	770012	2	FRONT PANEL SUPPORT	
8	770300	1	IM10/IM11 FRONT PANEL	

ITEM NO.	PART NO.	QTY.	DESCRIPTION	REF. DES.
9	221622	2	RAD CAP LOW LEAK LYT 22 μ /16V/L	C53, C63
10	623141	2	DIP IC SSM2141	IC50, IC60
11	722426	2	IDC26 MALE STRAIGHT LOCK	CON1, CON2
12	729001	1	CABLE ASSY. IDC26 20CM	
13	650833	7	SMD IC LM833M/MC33078D	IC100, IC101, IC102 IC150, IC200, IC201 IC202
14				
15				
16				