

## Technical Manual

# JBL IM-10

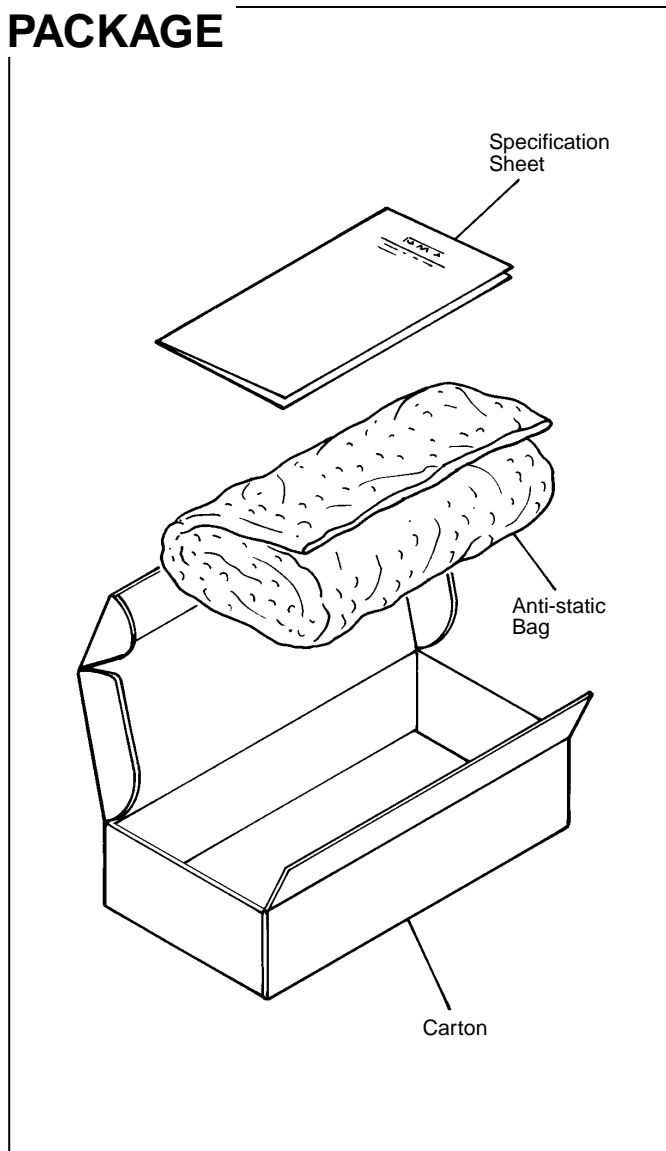
## SPECIFICATIONS



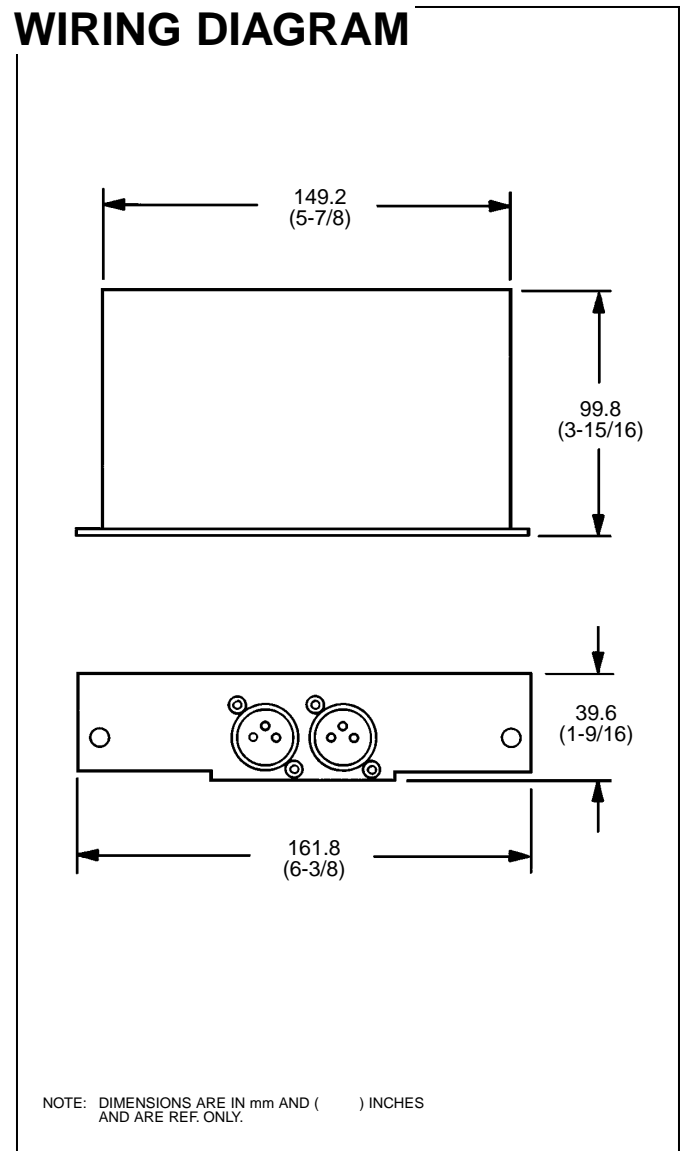
### ACOUSTIC & ELECTRICAL SPECIFICATIONS:

- SEE SPECIFICATION SHEET IN PRODUCT PACKAGE.

## PACKAGE

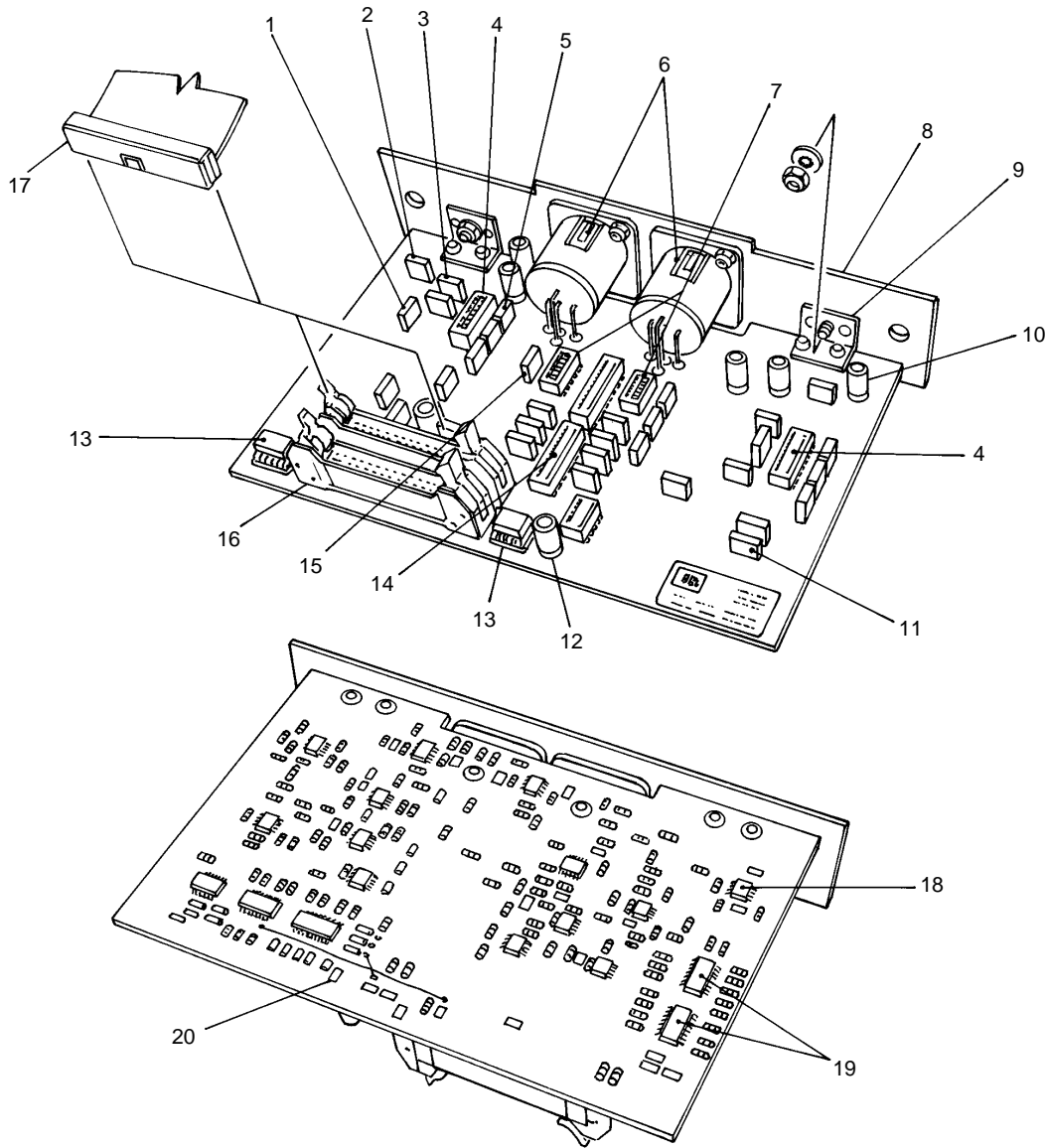


## WIRING DIAGRAM



# JBL IM-10

## COMPONENT EXPLODED VIEW



## COMPONENT PARTS LIST

ITEM NO.	PART NO.	QTY.	DESCRIPTION	REF. DES.
1	231247	4	RAD CAP POLY. 4.7nF/100V 5%	C119, C121, C219, C221
2	231233	2	RAD CAP POLY. 3.3nF/100V 5%	C122, C222
3	231333	12	RAD CAP POLY. 33nF/63V 5%	C108, C110, C112, C114, C120, C124, C208, C210, C212, C214, C220, C224
4	710506	2	DIP SW. 6 POLE	SW101, SW201
5	231347	2	RAD CAP POLY. 47nF/63V 5%	C123, C223
6	720022	2	XLR PCB MALE 90D ANGLE	CON201, CON101
7	710504	3	DIP SW. 4 POLE	SW2, SW100, SW200
8	770300	1	IM10/IM11 FRONT PANEL	
9	770012	2	FRONT PANEL SUPPORT	
10	211623	5	RAD CAP LYT 22μF >=50V /1-1,5	C105, C106, C205, C206, C908
11	231268	8	RAD CAP POLY. 6.8nF/100V 5%	C109, C111, C113, C115, C209, C211, C213, C215

ITEM NO.	PART NO.	QTY.	DESCRIPTION	REF. DES.
12	221622	2	RAD CAP LOW LEAK LYT 22μ/16V/L	C53, C63
13	623141	2	DIP IC SSM2141	IC60, IC50
14	710508	2	DIP SW. 8 POLE	SW3, SW1
15	231310	4	RAD CAP POLY. 10nF/100V 5%	C116, C117, C216, C217
16	722426	2	IDC26 MALE STRAIGHT LOCK	CON1, CON2
17	729001	1	CABLE ASSY. IDC26 20CM	
18	650833	14	SMD IC LM833M/MC33078D	IC100, IC101, IC102, IC103, IC106, IC107, IC108, IC200, IC201, IC202, IC203, IC206, IC207, IC208
19	654052	4	SMD IC 4052	IC104, IC105, IC204, IC205
20	450100	2	SMD SOT ZENER DIODE 10V	ZD1, ZD2
21				