

Technical Manual



JBL M 2

SPECIFICATIONS

ACOUSTIC & ELECTRICAL SPECIFICATIONS:

Nominal Impedance:	8 Ohms
Recommended Amplifier	
Power	1200W into 8 ohms
Continuous/Peak SPL @1 meter	117 dB/123 dB; 108dB Peak SPL @ 8m
Frequency Range (10 dB):	20 Hz - 40 kHz
System Sensitivity:	92 dB 1 watt @ 1 meter SPL
Crossover Frequency:	800 Hz

AURAL SWEEP TEST SPECIFICATIONS:

A. System. Aural Sweep Test:	7V Input, 20 Hz to 20 kHz
B. L.F.Aural Sweep Test:	17.0V Input, 20 Hz to 500 Hz
C. H.F.Aural Sweep Test:	6.0V Input, 500 Hz to 1.0 kHz

PHYSICAL SPECIFICATIONS:

Enclosure Dimensions:	508 x 1256 x 355.6 mm D
(H x W x D)	(20 x 49.5 x 14 in. D)
Net Weight:	129 lb (58.5 kg)

SYSTEM COMPONENTS:

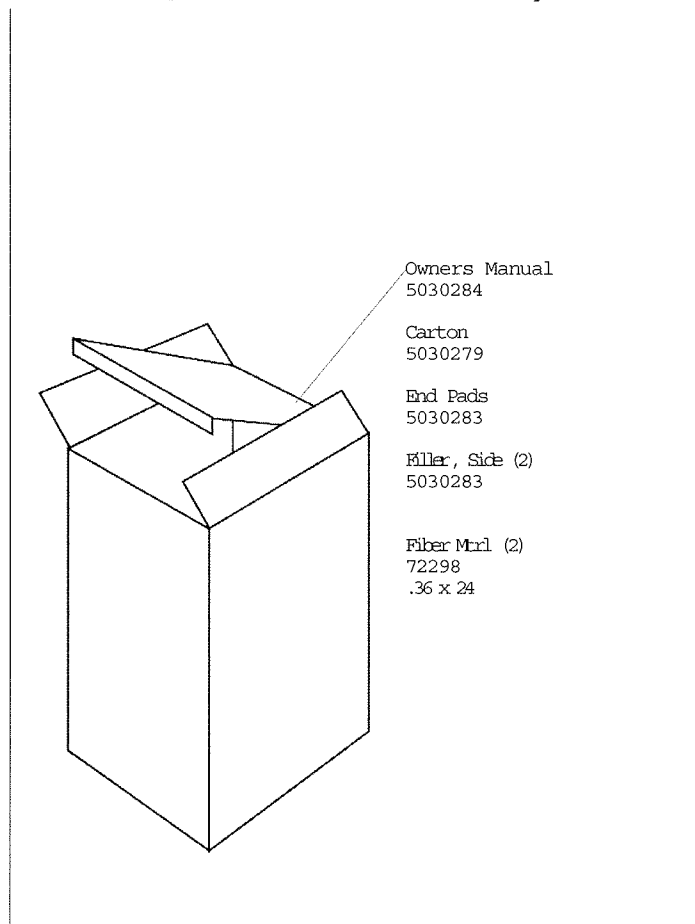
Cabinet:	Enclosure (Not For Sale)
Grille:	130-0119-002
Low Frequency Transducer:	2216Nd, 15 in (381 mm) Differential Drive TM woofer
D.C. Resistance:	5.8 ohm
High Frequency Transducer:	D2430K Dual Diaphragm Dual Voice Coil Compression Driver
D.C. Resistance:	16.0 ohm +/- 0.2 ohm
Network Assembly:	5030032

WARRANTY INFORMATION:

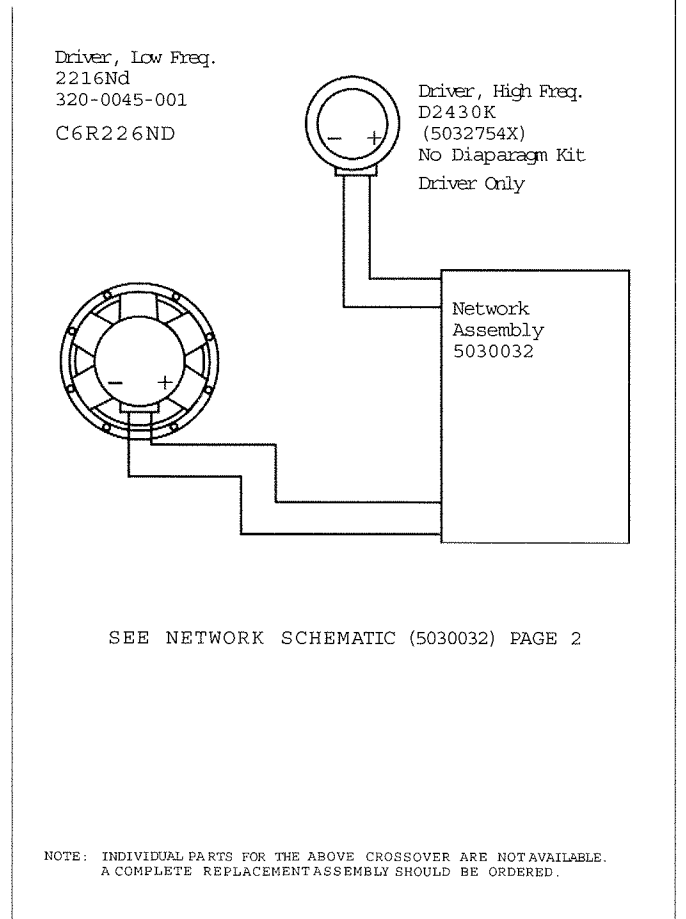
Refer to Warranty Statement packed with each product.

PACKAGE

Warranty Card 59660

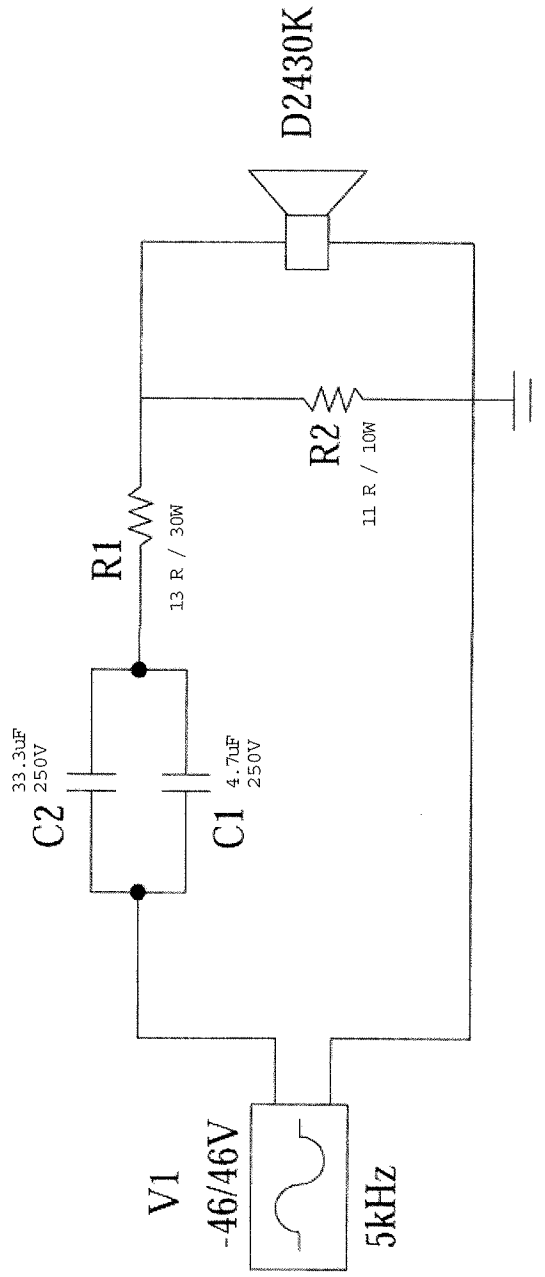


WIRING DIAGRAM



JBL M 2

NETWORK ASSEMBLY - (5030032)



Individual Parts for the above crossover are not available.
A complete replacement assembly should be ordered.

JBL M2

COMPONENT EXPLODED

