

Technical Manual

JBL LSR6312SP/230

SPECIFICATIONS



ACOUSTIC & ELECTRICAL SPECIFICATIONS:

- Nominal Impedance: 2 ohm
- Power Capacity: 250 W, Continuous
- Frequency Range: -10 dBV Into XLR Input With All Switches Down Produces 96dB/@ 1 Meter
- Sensitivity: -10 dBV Into XLR Input With All Switches Down Produces 96dB/@ 1 Meter
- Crossover Frequency: (Active Crossover Through Input Module): 80 Hz 4th Order Linkwitz-Riley

SYSTEM COMPONENTS:

- Cabinet (Not For Sale)
- Low Frequency Transducer: 300mm (12 in.) Cone Transducer (252F)
- Nominal Impedance: 2 ohm

SYSTEM COMPONENTS: (Cont'd)

- DC Resistance: 1.4 ohm \pm 10%

AURAL SWEEP TEST SPECIFICATIONS:

(XLR Input With 600 mV, All DIP Switches Down)

- A. L.F. Aural Sweep Test: 12V Input, 10 Hz to 2 kHz

PHYSICAL SPECIFICATIONS:

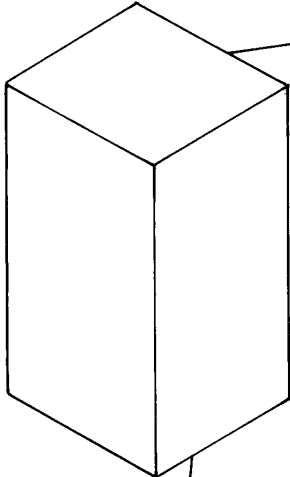
- Enclosure Dimensions: 635mm x 394mm x 292mm D (25.0 x 15.5 x 11.5 in. D)
- Net Weight: 50 lbs. (22.7kg.)

WARRANTY INFORMATION:

- Refer to Warranty Statement packed with each product.

PACKAGE

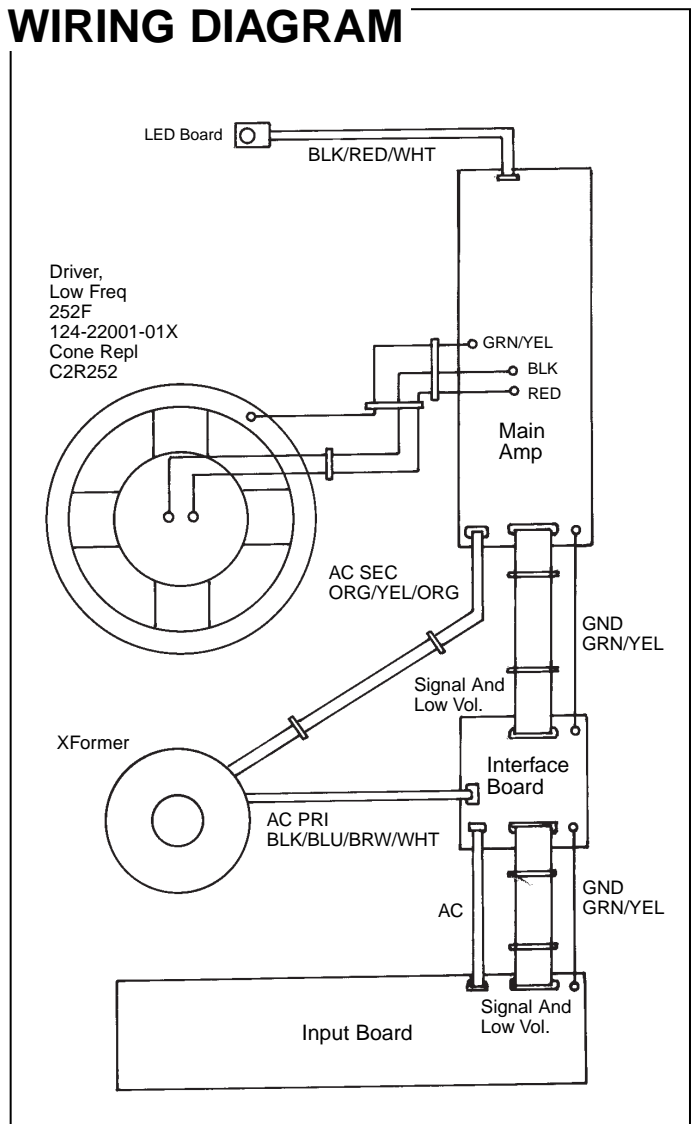
Warranty 59660
Owner's Manual
350800-001



Cord, AC, Line, 120V
425-00000-00
Cord, AC, Line, 230V
425-00000-01
Filler, Top, Bottom (2)
991-00061-00
Sock, 351132-001
Plastic Bag, 991-00150-00
Y cable, LSR63XX
351139-001
RMC Kit, LSR63XX
351145-001

Carton
990-00051-00

WIRING DIAGRAM



JBL LSR6312SP/230 REV H

JBL LSR6312SP/230

COMPONENT EXPLODED VIEW

