

Technical Manual

JBL LSR4326P



SPECIFICATIONS

SPECIFICATIONS:

- Frequency Response: ± 1.5 dB: 50 Hz - 20 kHz
 ± 3 dB: 47 Hz - 22 kHz
 -10 dB: 39 Hz - 32 kHz
- SPL / 1m: 106 dB / 112 dB (Continuous / Peak)
- Transducers (LF, HF): 6.25" 436H / 1" 431 G; Self-Shielded, Neodymium Motor Structures
- Sensitivity: 96 dB / 1m (+4 dBu, -10 dBV)
- Amplification (LFF, HF): 150 w / 70 w
- Digital Processing: 24 Bit, 96 kHz
- Analog Inputs: XLR, 1/4" Balanced (+4 dBu, -10 dBV)
- Digital Inputs: AES / EBU XLR, S / PDIF RCA
- Data Connections: Harman HiQnet™ Network, USB, RMC Mic

AURAL SWEEP TEST SPECIFICATIONS:

- A. System Aural Sweep Test: 300 mV Input, 10 Hz to 20 kHz
- B. L.F. Aural Sweep Test: 6.0 V Input, 60 Hz to 5 kHz
- C. H.F. Aural Sweep Test: 4 V Input, 5 kHz to 20 kHz

PHYSICAL SPECIFICATIONS:

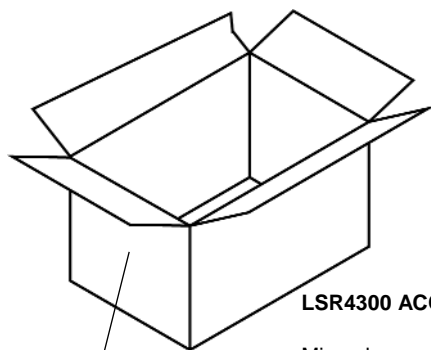
- Enclosure Dimensions: 387 mm x 236 mm x 262 mm (H x W x D) (15.25 in. x 9.3 in x 10.3 in)
- Net Weight (ea): 12.7 kg (28 lb)

WARRANTY INFORMATION:

- Refer to Warranty Statement packed with each product.

PACKAGE

Warranty 59660



LSR4300 ACC Kit

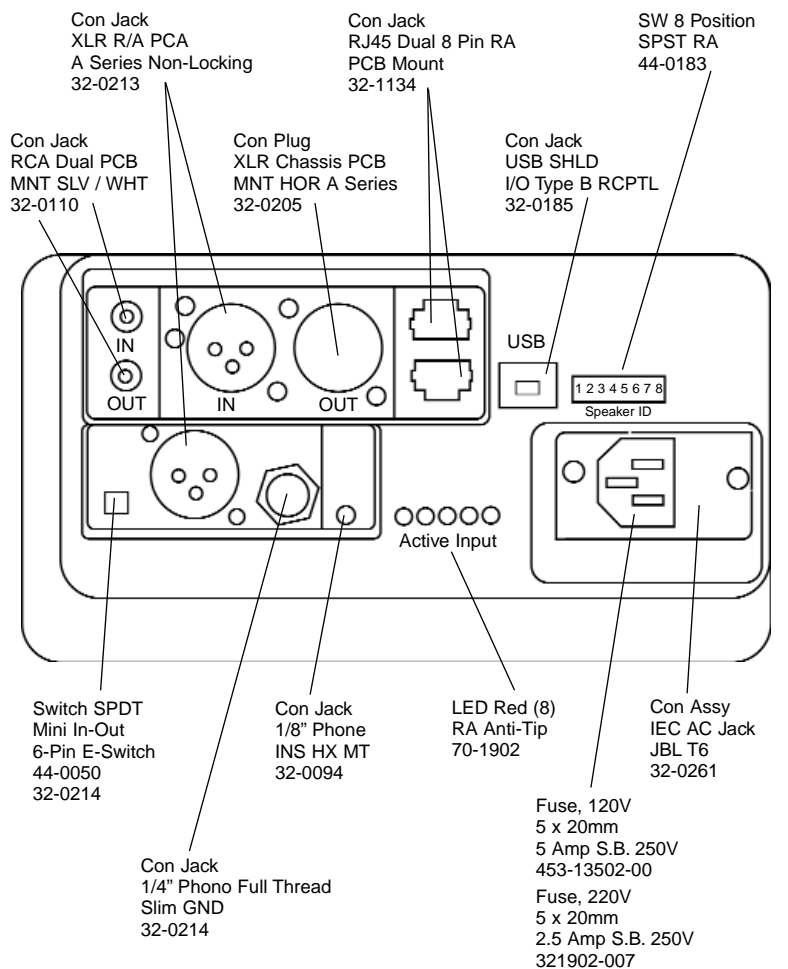
- Carton 352719-001
- Filler 352720-001
- Manual 352712-001
- PKG, Microfoam (2) 49790P



- AC Cord 120V 425-00000-00
- AC-Cord 230V 425-00000-01

- Microphone 362108-001
- Mic Cover 362109-001
- Mic Stand 362110-001
- USB Cable 362111-001
- Remote Control 362112-001
- Ethernet Plug Kit 362113-001
- CD ROM 362114-001
- Cable Cat 5 362098-001

SIGNAL AC INPUT BOARD



JBL LSR4326P REV K

JBL LSR4326P

COMPONENT EXPLODED VIEW

