

Technical Manual



JBL LSR4312SP/230

PROFESSIONAL

SPECIFICATIONS

SYSTEM:

- Frequency Response: 27 Hz – 150 Hz (-6 dB)
- Encl. Resonance Frequency: 27 Hz
- Low Frequency Extension: 20 Hz (13 dB); 24 Hz (-10 dB)
- Bass Management Crossover ON: Digital Crossover - Selectable: 50 Hz, 80 Hz, 120 Hz - 4th order Linkwitz-Riley
- Distortion, 96 dB SL / 1M Low Frequency (<80 Hz):
- 2nd Harmonic: <1.5%
- 3rd Harmonic: <1.0%
- Maximum Continuous SPL: 116 dB SOL / 1m
- Maximum Peak SPL: 125 dB SOL / 1m (40 Hz - 80 Hz)
- Low Frequency Model: 432G
- Diameter: 300 mm (12 in)
- Voice Coil: 65 mm (2.5 in)
- Magnet Type: Neodymium self-shielded
- Cone Type: Polymer coated paper fiber
- Impedence: 2 ohms

AMPLIFIER:

- Topology: Linear
- Sine Wave Power Rating: 480 watts (<1% THD into rated impedance)
- THD + N, 1/2 Power: <0.08%
- AC Input Voltage: 120 VAC, 80 Hz Model LSR4312SP; 230 VAC, 50 Hz Model LSR4312SP/230
- AC Input Voltage Operating Range: ±10%
- AC Input Connector: IEC
- Self-Generated Noise Level: <10 dBA / 1 m tonal artifact-free noise floor using analog input
- 1/8th Power Rating: 25 watts
- Full Power Rating (100 hrs. IEC: Pink Noise, 6 dB Crest Factor): 200 watts
- Wattage Rating: AC at max. power output (audio); 120V AC line 4.2A 230V AC line 2.1A
- System Protection: Short-term peak limit circuit in DSP prevents amplifier clipping; Long-term thermal protection circuit prevents system damage caused by overheating
- Fuse Value: 8A, 250V AC Time Lag, Model LSR4312SP; 4A, 250V AC Time Lag, Model LSR4312SP/230

INPUTS / OUTPUTS — ANALOG:

- L,C,R, LS, RS, LFE Male XLR IN: Selectable +4 dBu / -10 dBV input sensitivity; Input impedance 10K ohms. Positive voltage applied to XLR pin 2 produces outward woofer motion
- L,C,R, LS, RS, LFE Female XLR OUT: XLR Balanced loop-through pin 2 hot
- Left, Right 1/4-in ring-sleeve IN: Balanced or unbalanced, Selectable +4 dBu/-10 dBV; Input impedance 10K. Positive voltage applied to 1/4" tip produces outward woofer motion
- AD Converters: 96kHz, 24 Bit, 64x Over sampling
- Calibrated Input Sensitivity, Analog XLR & 1/4": 94 dB SOL / 1m
- +4 dBu: 94 dB SOL / 1m
- +10 dBV: 94 dB SOL / 1m

INPUTS / OUTPUTS — DIGITAL:

- Male XLR IN: AES/EBU (IEC60958)
- Female XLR OUT: AES/EBU (IEC60958)
- Female RCA IN: S/PDIF (EIAJ CP1201)
- Female RCA OUT: S/PDIF (EIAJ CP1201)
- Digital Input Sample Rates: 96 kHz, 88.2 kHz, 48 kHz, 44.1 kHz, 32 kHz. Tolerance: ±3%
- Digital Input Word Length: 24 Bit
- Network Connection: RJ45 IN, RJ45 OUT
- Network Protocol: Proprietary Harman HIQNet™ Protocol using RS485
- Computer Interface for Firmware Update: USB Type 1

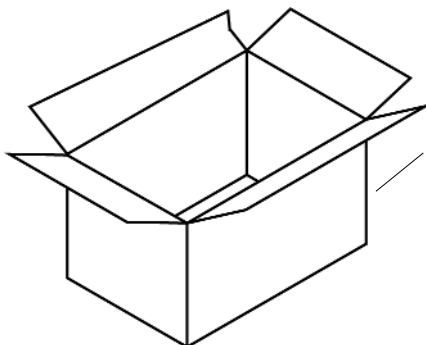
PHYSICAL SPECIFICATIONS:

- Enclosure Construction: 25 mm (1 in) MDF; 60 mm (2 in) MDF woofer baffle
- Enclosure Dimensions: 406 mm x 502 mm x 489 mm (16 in x 19.75 in x 19.25 in)
- Net Weight: 20.5 kg. (66 lbs)

WARRANTY INFORMATION:

- Refer to Warranty Statement packed with each product.

PACKAGE



Manual
352712-002

Carton
352719-001

Filler (2)
352720-001

MicroFoam
49790P

AC Cord (120V)
425-00000-00

AC Cord (230V)
425-00000-01



LSR4300-ACC

Carton
362105-001

Filler
362106-001

Battery (2)
362107-001

Microphone
362108-001

Microphone Cover
362109-001

Microphone Stand
362110-001

USB Cable
362111-001

Remote Control
362112-001

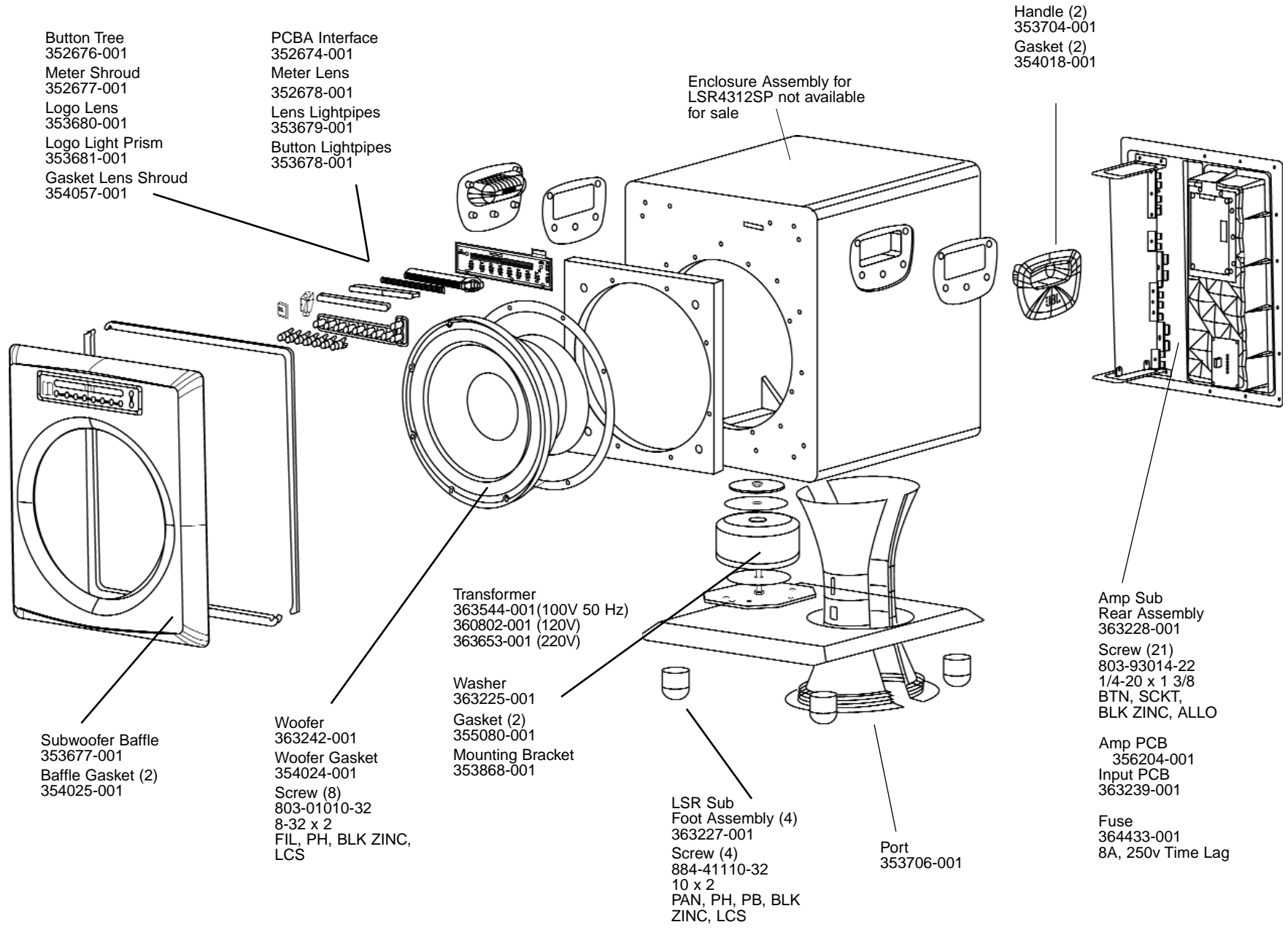
Ethernet Plug Kit
362113-001

CD ROM
362114-001

JBL LSR4312SP/230 REV E

JBL LSR4312SP/230

COMPONENT EXPLODED VIEW



Button Tree
352676-001
Meter Shroud
352677-001
Logo Lens
353680-001
Logo Light Prism
353681-001
Gasket Lens Shroud
354057-001

PCBA Interface
352674-001
Meter Lens
352678-001
Lens Lightpipes
353679-001
Button Lightpipes
353678-001

Enclosure Assembly for
LSR4312SP not available
for sale

Handle (2)
353704-001
Gasket (2)
354018-001

Subwoofer Baffle
353677-001
Baffle Gasket (2)
354025-001

Woofer
363242-001
Woofer Gasket
354024-001
Screw (8)
803-01010-32
8-32 x 2
FIL, PH, BLK ZINC,
LCS

Transformer
363544-001 (100V 50 Hz)
360802-001 (120V)
363653-001 (220V)

Washer
363225-001
Gasket (2)
355080-001
Mounting Bracket
353868-001

LSR Sub
Foot Assembly (4)
363227-001
Screw (4)
884-41110-32
10 x 2
PAN, PH, PB, BLK
ZINC, LCS

Port
353706-001

Amp Sub
Rear Assembly
363228-001
Screw (21)
803-93014-22
1/4-20 x 1 3/8
BTN, SCKT,
BLK ZINC, ALLO

Amp PCB
356204-001
Input PCB
363239-001

Fuse
364433-001
8A, 250v Time Lag