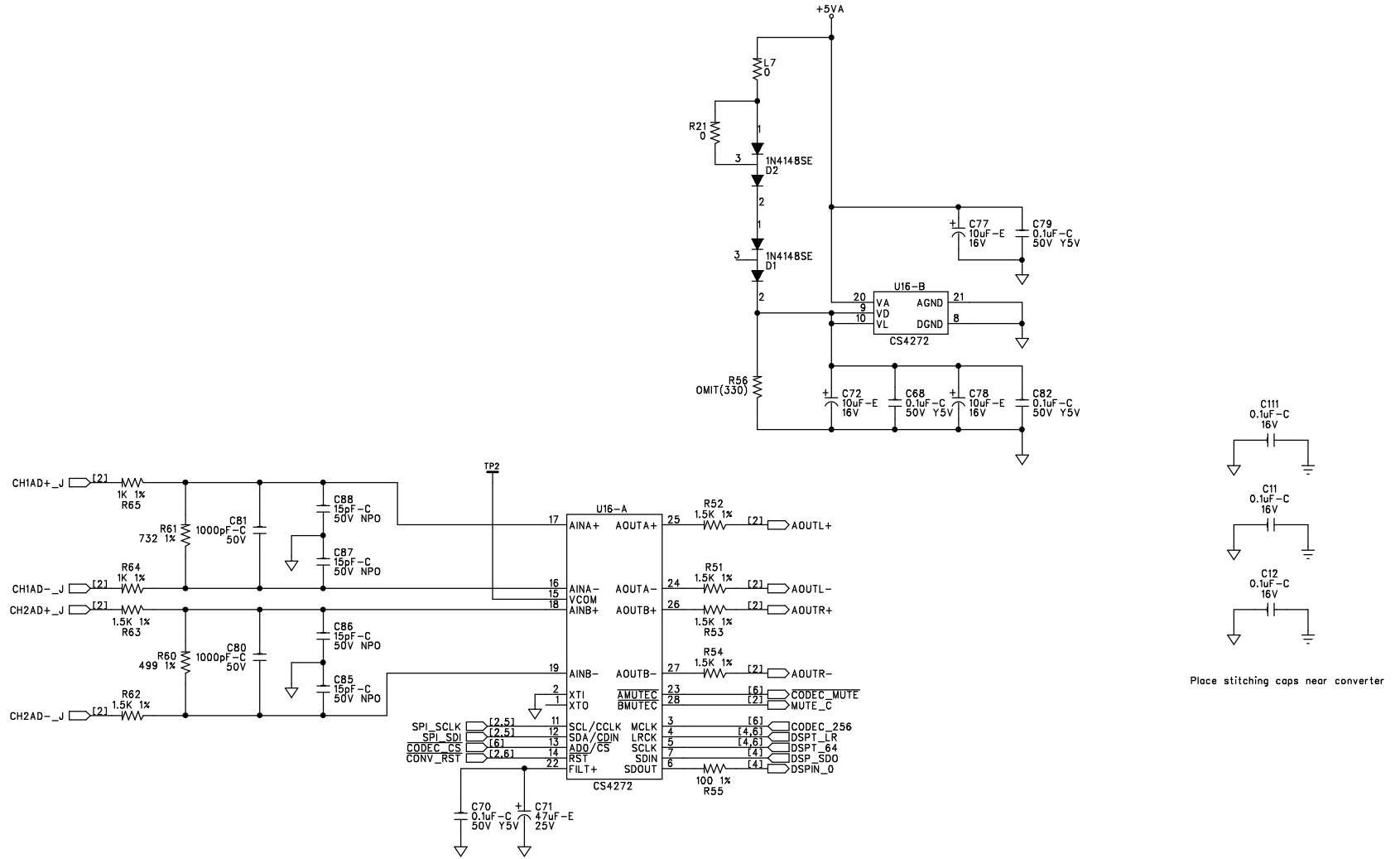


SIZE: A	SHEET TITLE: S/SPDIF, USB, and NETWORK	REVISION: A1
DATE: 05/19/05	DRAWING NO: 05-9987	SHEET: 2 OF 7



SIZE: A	SHEET TITLE: CONVERTERS	REVISION: A1
DATE: 05/19/05	DRAWING NO: 05-9987	SHEET: 3 OF 7

