

Technical Manual

JBL LSR2328P

SPECIFICATIONS



SPECIFICATIONS:

- Long Term Maximum System Power: 40 Watts (IEC265-5)
- Frequency Range: 37 Hz - 20 kHz (+/- 3 dB)
- Input Sensitivity: 92 dB SPL / 1 meter at -10dBV Balanced Input
- Maximum SPL: Each: 104 dB / 110 dB (Continuous / Peak)
Pair: 117 dB / 123 dB (Continuous / Peak)
- Amplifier Power: LF/HF: 95 W / 70 W
- Input Connectors: Balanced XLR, 1/4" TRS, RCA
- Crossover Frequency: 2.0 kHz 4th-order Acoustic Linkwitz-Riley

SYSTEM COMPONENTS:

- Cabinet Assembly: Not Available for sale
- Low Frequency Transducer: 238G, 203 mm (8 in) dia, 38 mm (1.5 in) voice coil Magnetically Shielded Ferrite
- DC Resistance: 3.3 ohm +/- 0.1 ohm
- High Frequency Transducer: 231H, 25 mm (1 in) diaphragm, Neodymium
- DC Resistance: 7.2 ohm +/- 0.36 ohm

AURAL SWEEP TEST SPECIFICATIONS:

- A. System Aural Sweep Test: 0.7V Input, 20 Hz to 20 kHz
- 4 dB XLR Input, volume full clockwise switches to center detent
- B. L.F. Aural Sweep Test: 4.0 V Input, 10 Hz to 2 kHz
- C. H.F. Aural Sweep Test: 2.5 V Input, 100 Hz to 10 kHz

PHYSICAL SPECIFICATIONS:

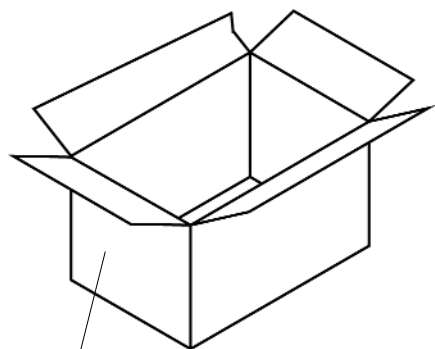
- Enclosure Dimensions: 397 x 254 x 335 mm D
(H x W x D) (15.6 in x 10 in x 13.2 in D)
- Net Weight: 28 lb (12.7 kg)

WARRANTY INFORMATION:

- Refer to Warranty Statement packed with each product.

PACKAGE

Warranty 59660



Carton
440898-001

Filler
440901-001

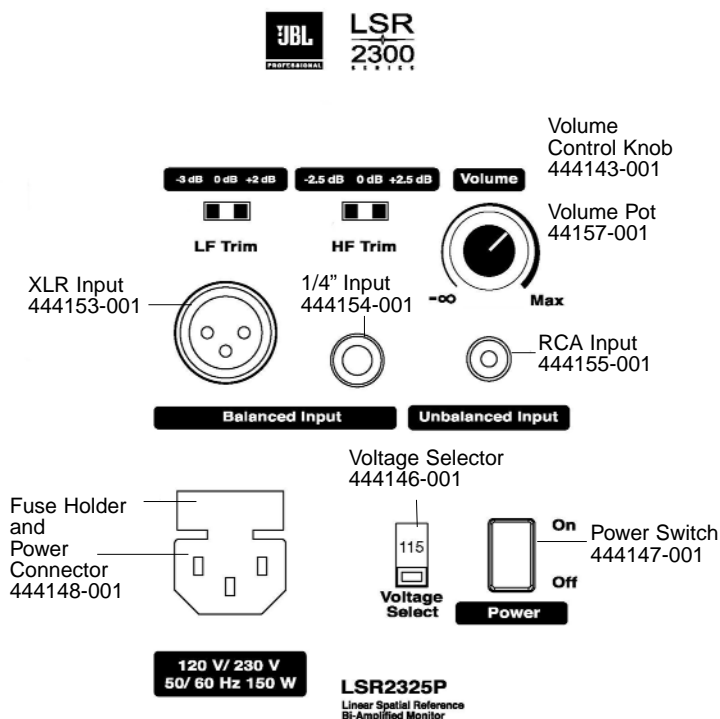
Manual, LSR2300
365438-001

PKG, Microfoam (2)
49790P
20" x 18" Sheets

AC Cord 120V
425-00000-00
AC-Cord 230V
425-00000-01



INPUT PANEL



JBL LSR4328P REV B

JBL LSR2328P

COMPONENT EXPLODED VIEW

