

# Technical Manual

# JBL LSR2310SP

## SPECIFICATIONS



### SPECIFICATIONS:

- Long Term Maximum System Power: 90 Watts (IEC265-5)
- Frequency Range: 28 Hz - 2 kHz (+/- 3 dB)
- Input Sensitivity: 92 dB SPL / 1m at -10 dBV Balanced Input
- Maximum SPL: 104 dB (Continuous) 113 dB (Peak)
- Amplifier Power: LF:180 W
- Input Connectors: Balanced XLR, 1/4" TRS, RCA
- Crossover Frequency: 80 Hz / 120 Hz / External

### SYSTEM COMPONENTS:

- Cabinet Assembly: Not Available for sale
- Low Frequency Transducer: 230H, 254 mm (10 in) dia, 51 mm (2.0 in) voice coil Magnetically Shielded Ferrite

### SYSTEM COMPONENTS: (Cont'd)

- DC Resistance: 3.2 ohm +/- 0.1 ohm

### AURAL SWEEP TEST SPECIFICATIONS:

- A. System Aural Sweep Test: 0.5V Input, 20 Hz to 20 kHz - 4 dB XLR Input, volume full clockwise switches to center detent
- B. L.F. Aural Sweep Test: 7.0 V Input, 20 Hz to 1 kHz

### PHYSICAL SPECIFICATIONS:

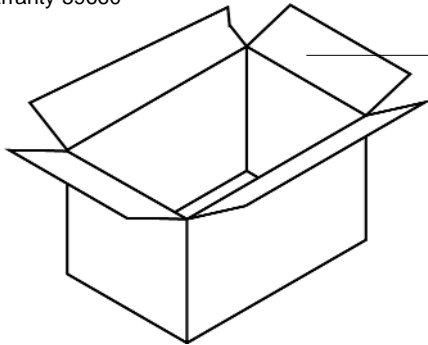
- Enclosure Dimensions: 414 x 381 x 460 mm D (H x W x D) (16.3 x 15 x 18.1 in D)
- Net Weight: 45.5 lb (20.7 kg)

### WARRANTY INFORMATION:

- Refer to Warranty Statement packed with each product.

## PACKAGE

Warranty 59660



Carton  
440899-001

Filler  
440902-001

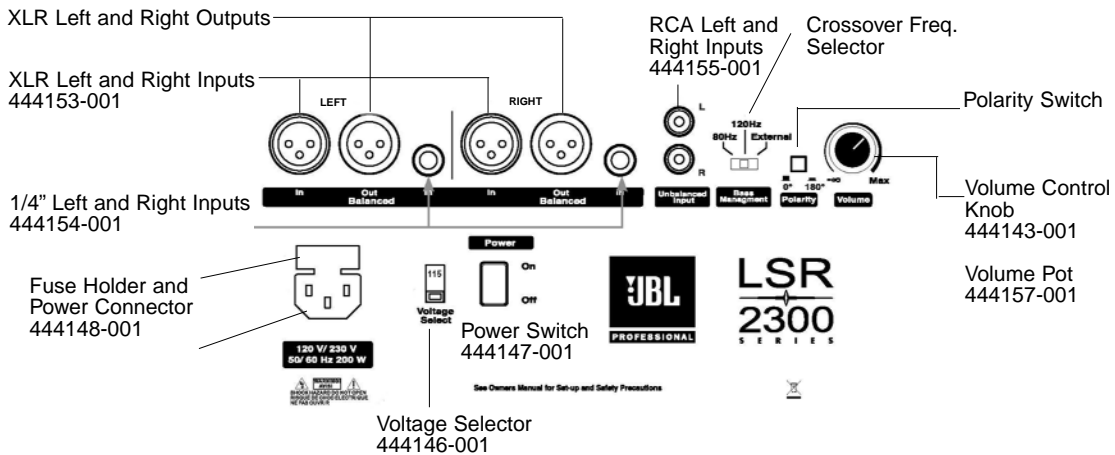
Manual, LSR2300  
365438-001

PKG, Microfoam (2)  
49790P  
20" x 18" Sheets

AC Cord 120V  
425-00000-00  
AC-Cord 230V  
425-00000-01



## INPUT PANEL



JBL LSR2310SP REV C

# JBL LSR2310SP

## COMPONENT EXPLODED VIEW

