

# Technical Manual

# JBL2394

## SPECIFICATIONS



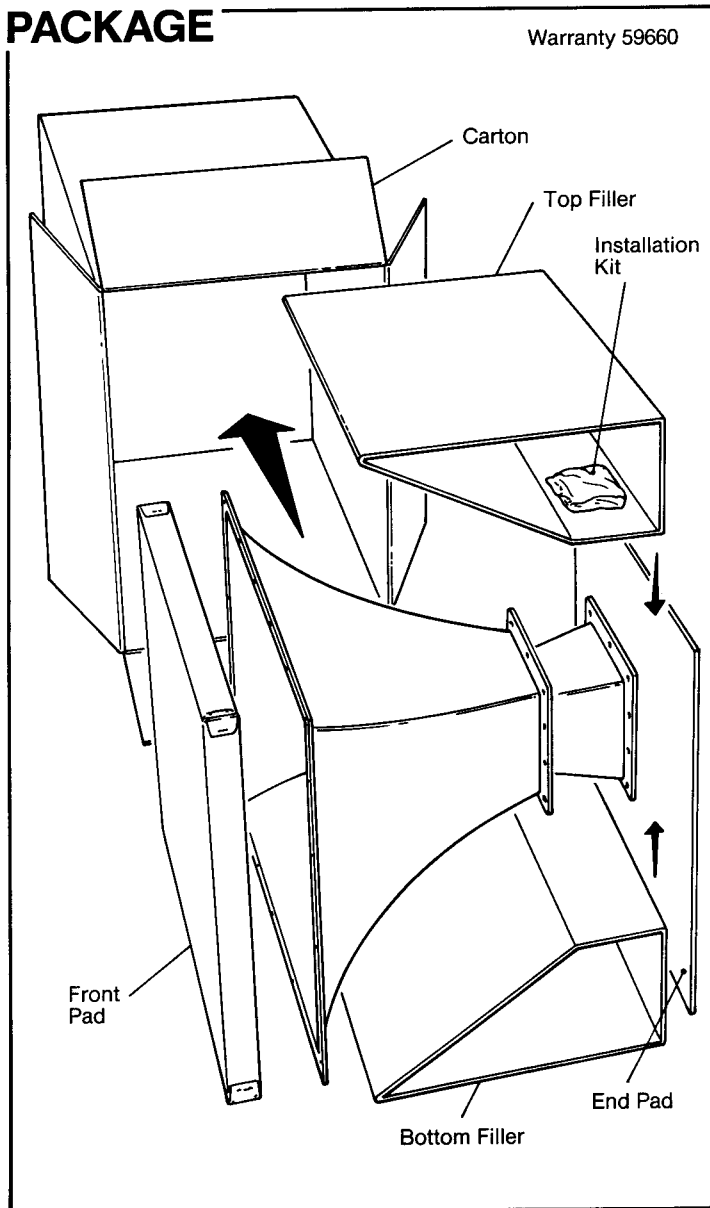
- Horizontal Coverage Angle (-6 dB): 40° (+10°, -0°), 42° averaged 315 Hz to 4 kHz
- Vertical Coverage Angle (-6 dB): 30° (+25°, -5°), 35° averaged 315 Hz to 4 kHz
- Directivity Factor (Q): 33 averaged 250 Hz to 4 kHz
- Directivity Index (DI): 15 averaged 250 Hz to 4 kHz
- Usable Low Frequency Limit: 300 Hz
- Minimum Recommended Crossover: 300 Hz @ 18 dB/octave minimum
- Axial Pressure Sensitivity : 116 dB
- Construction: Fiberglass reinforced plastic

### OVERALL DIMENSIONS:

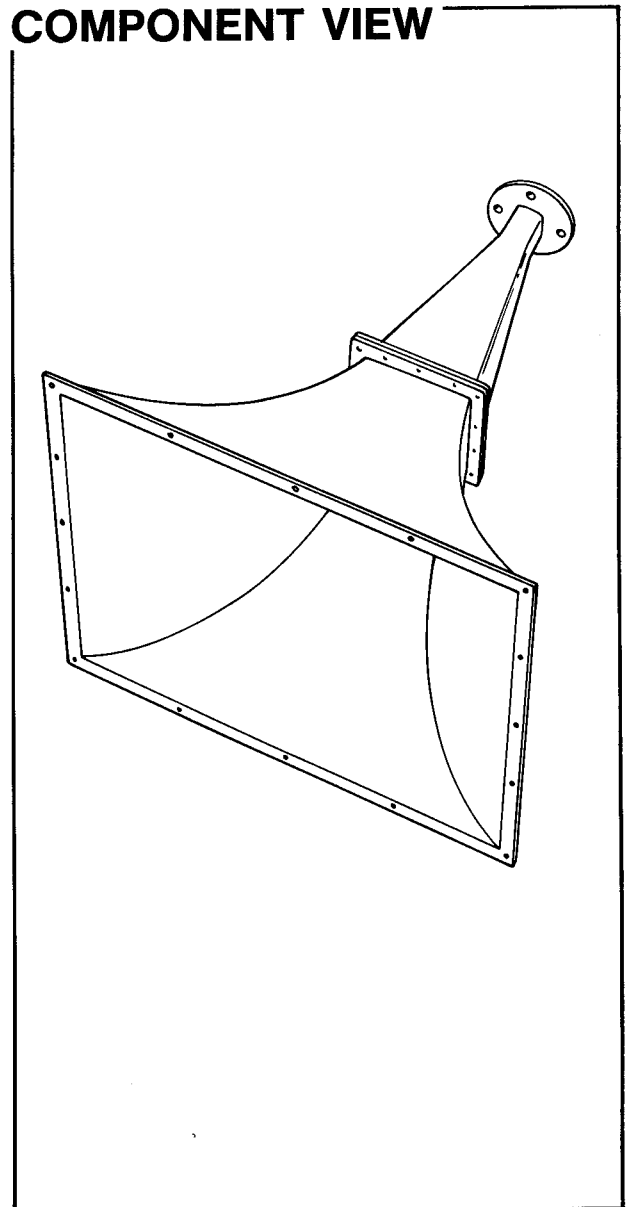
- Mouth Height: 1219 mm (48 in.)
- Mouth Width: 1270 mm (50 in.)
- Length: 1219 mm (48 in.)
- Length of Each Section: 609 mm (24 in.)
- Net Weight: 36.3 kg. (80 lb.)

## PACKAGE

Warranty 59660



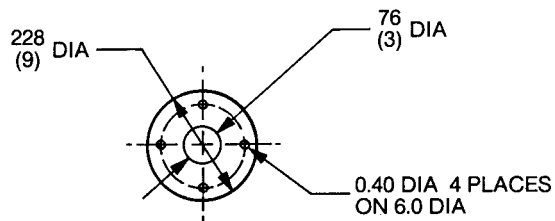
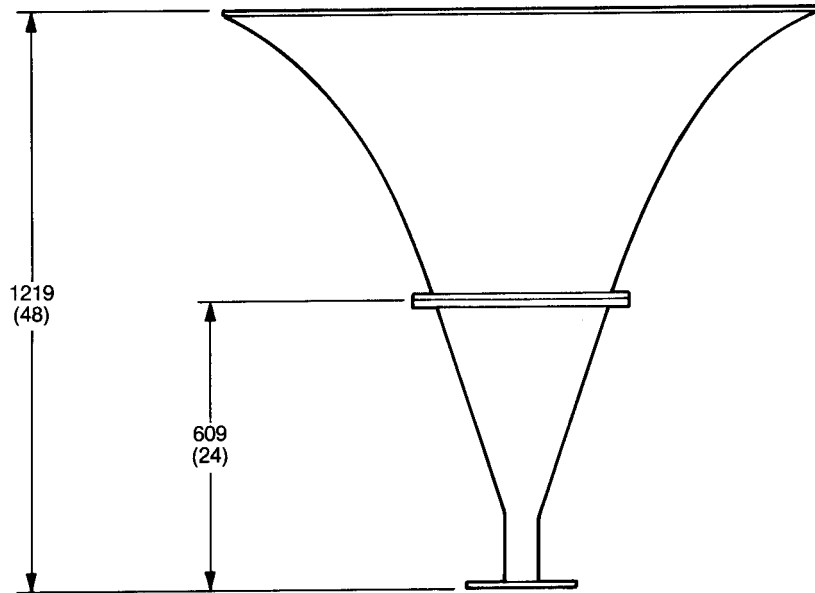
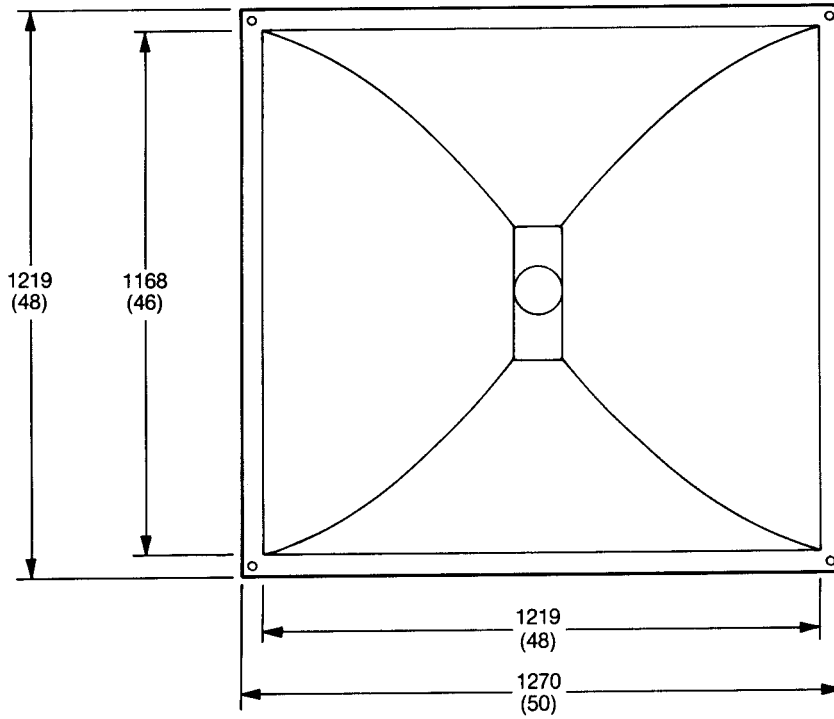
## COMPONENT VIEW



# JBL2394

## MECHANICAL DRAWING

THESE DRAWINGS AND SPECIFICATIONS ARE THE PROPERTY OF JBL INC. AND SHALL NOT BE REPRODUCED OR USED AS THE BASIS FOR MANUFACTURE OR SALE OF APPARATUS WITHOUT WRITTEN PERMISSION.



NOTE: DIMENSIONS ARE IN mm AND ( ) INCHES AND ARE REF. ONLY.

JBL2394