

Technical Manual

JBL2354

SPECIFICATIONS



- Horizontal Coverage Angle (-6 dB): 40° (+20°, -10°), 47° averaged 800 Hz to 20 kHz
- Vertical Coverage Angle (-6 dB): 30° (+30°, -5°), 41° averaged 800 Hz to 20 kHz
- Directivity Factor (Q): 30 averaged 800 Hz to 20 kHz
- Directivity Index (DI): 15 averaged 800 Hz to 20 kHz
- Usable Low Frequency Limit: 500 Hz
- Minimum Recommended Crossover: 500 Hz @ 18 dB/octave minimum
- Axial Pressure Sensitivity : 115 dB
- Construction: Fiberglass reinforced plastic

OVERALL DIMENSIONS:

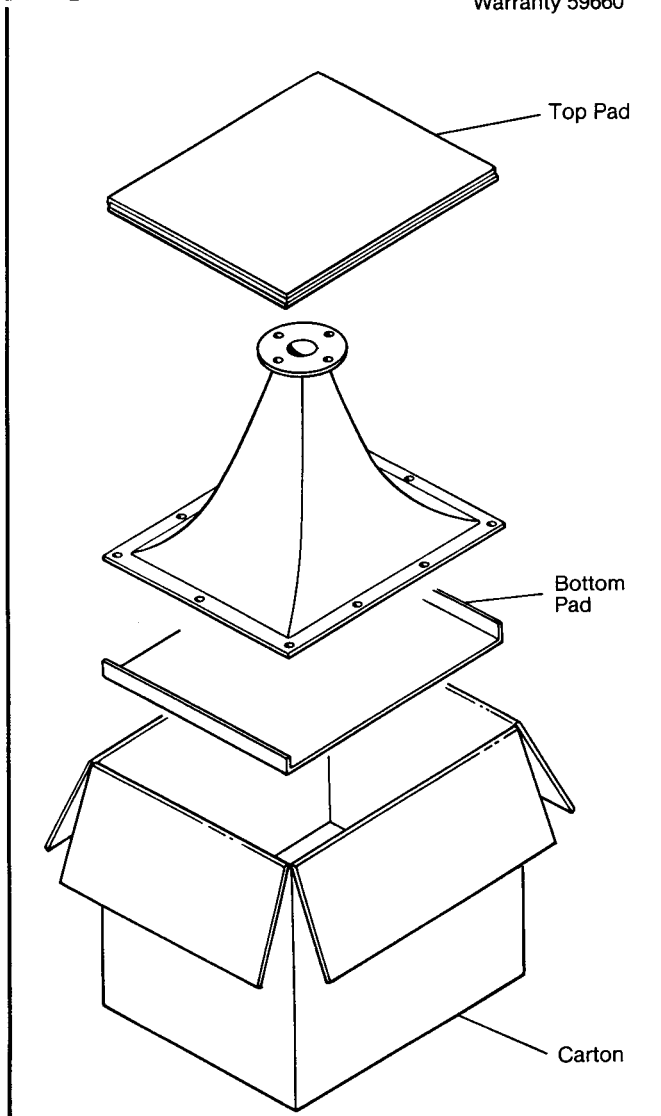
- Mouth Height: 457 mm (18 in.)
- Mouth Width: 508 mm (20 in.)
- Length: 432 mm (17 in.)
- Net Weight: 4.0 kg. (9 lb.)

OPTIONAL HANGING HARDWARE:

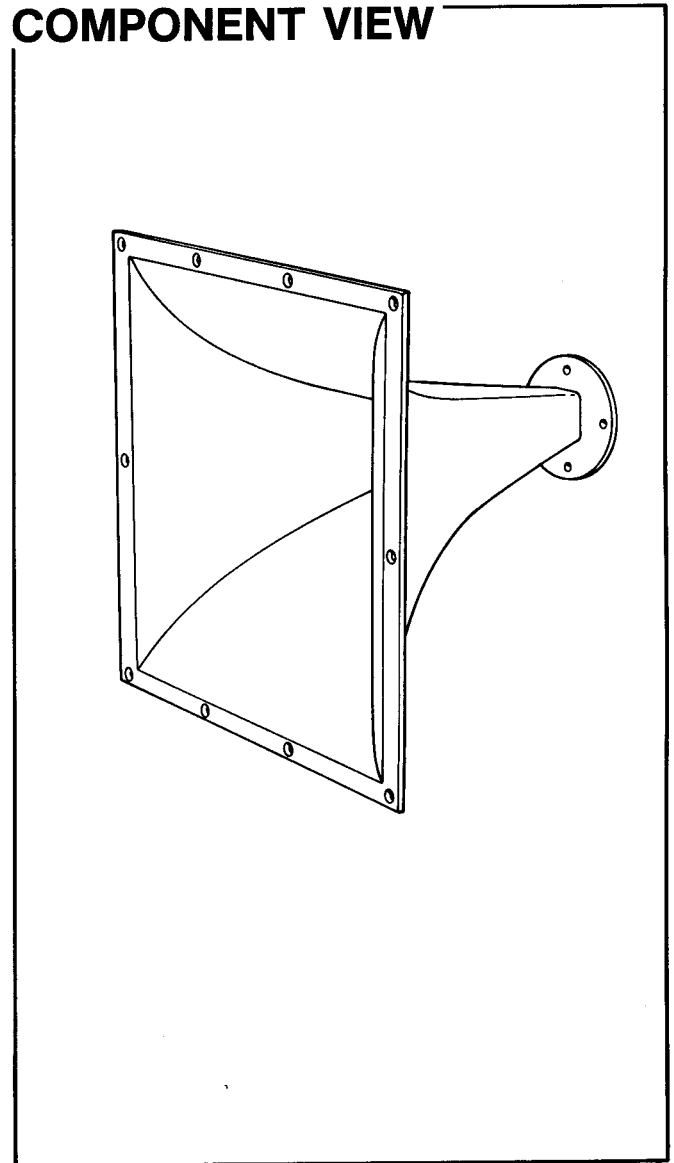
- HSH-15P: Horn suspension plate for 1½" throat diameter horns

PACKAGE

Warranty 59660



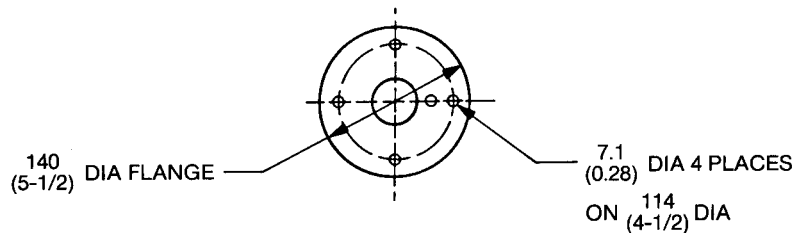
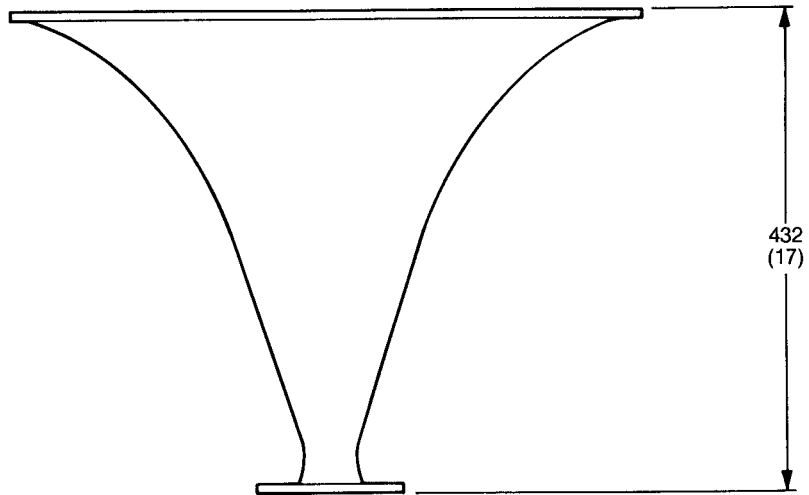
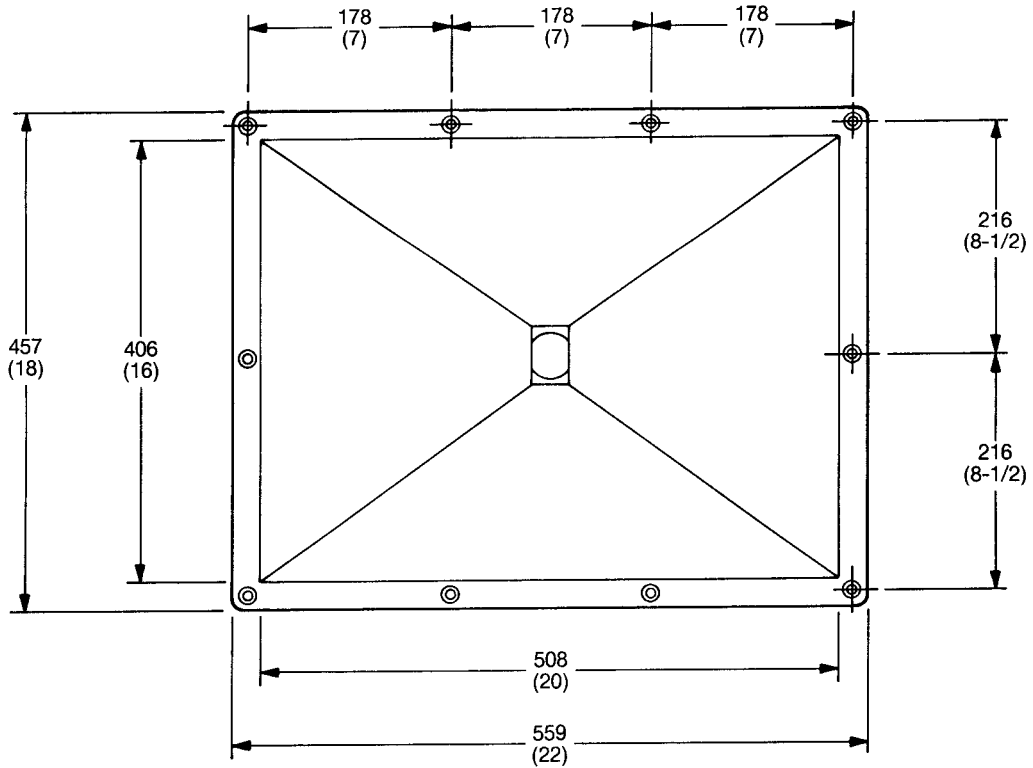
COMPONENT VIEW



JBL2354

MECHANICAL DRAWING

THESE DRAWINGS AND SPECIFICATIONS ARE THE PROPERTY OF JBL INCORPORATED. THEY ARE ISSUED IN STRICT CONFIDENCE AND SHALL NOT BE REPRODUCED, COPIED, OR USED AS THE BASIS FOR MANUFACTURE OR SALE OF APPARATUS WITHOUT WRITTEN PERMISSION.



NOTE: DIMENSIONS ARE IN mm AND () INCHES AND ARE REF. ONLY.

JBL2354