

Technical Manual

JBL2352

SPECIFICATIONS



- Horizontal Coverage Angle (-6 dB): 90° (+0°, -10°), 89° averaged 630 Hz to 20 kHz
- Vertical Coverage Angle (-6 dB): 50° (+40°, -20°), 55° averaged 630 Hz to 20 kHz
- Directivity Factor (Q): 13 averaged 630 Hz to 20 kHz
- Directivity Index (DI): 11 averaged 630 Hz to 20 kHz
- Usable Low Frequency Limit: 500 Hz
- Minimum Recommended Crossover: 500 Hz @ 18 dB/octave minimum
- Axial Pressure Sensitivity : 112 dB
- Construction: Fiberglass reinforced plastic

OVERALL DIMENSIONS:

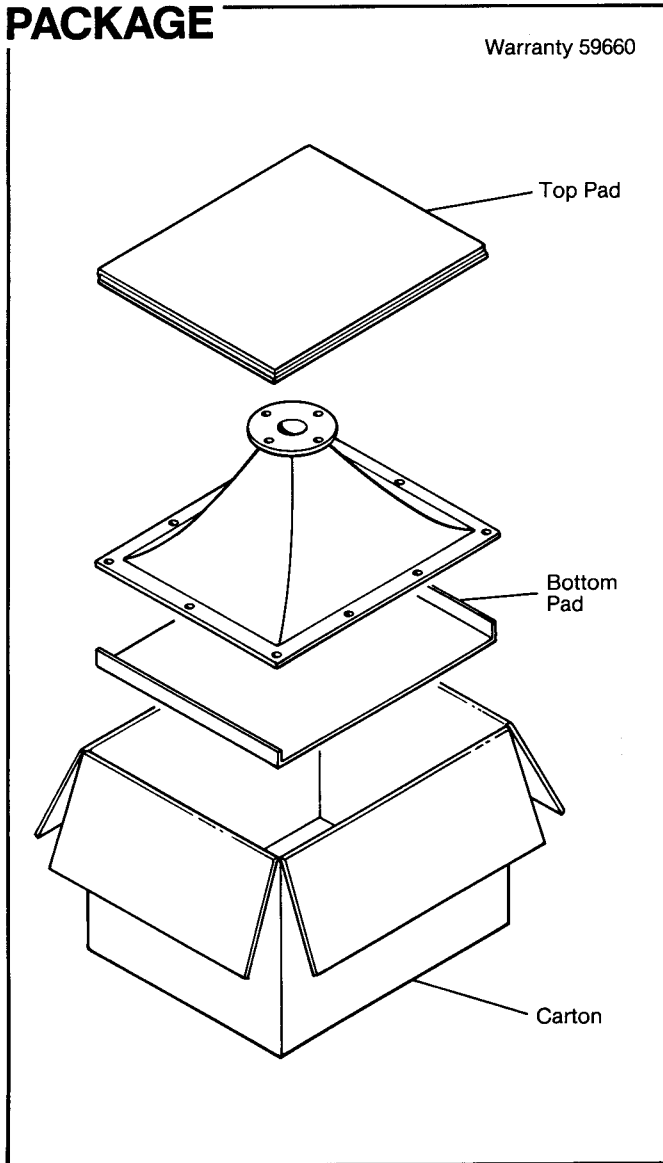
- Mouth Height: 457 mm (18 in.)
- Mouth Width: 508 mm (20 in.)
- Length: 254 mm (10 in.)
- Net Weight: 2.2 kg. (6 lb.)

OPTIONAL HANGING HARDWARE:

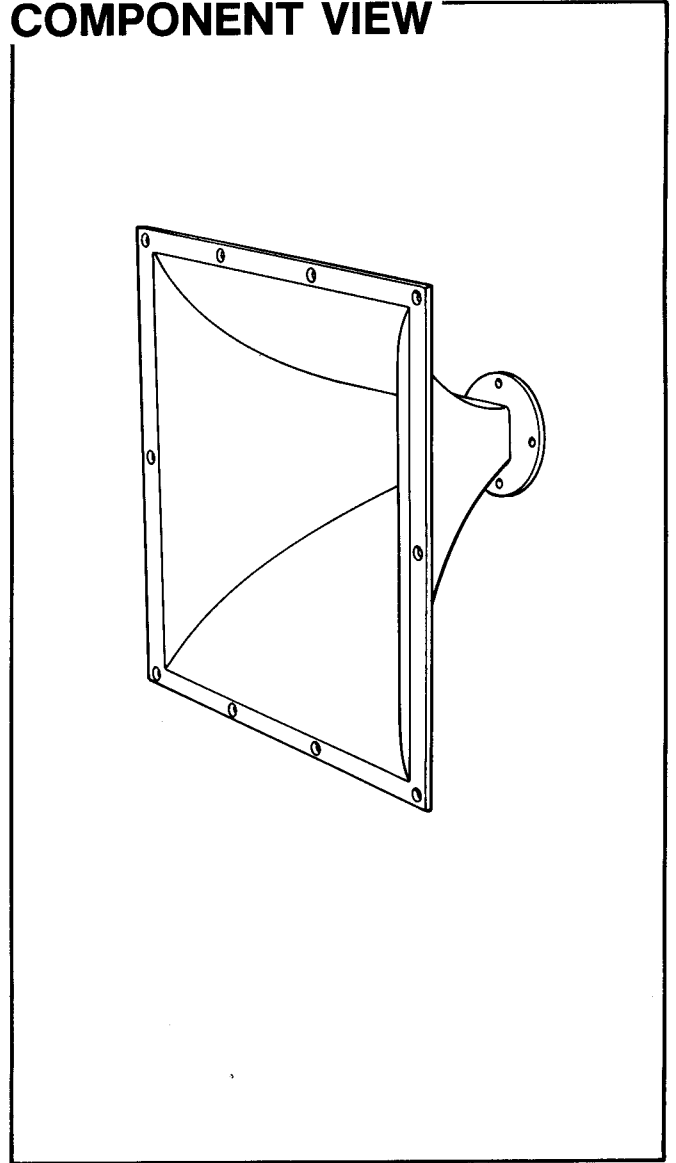
- HSH-15P: Horn suspension plate for 1½" throat diameter horns

PACKAGE

Warranty 59660



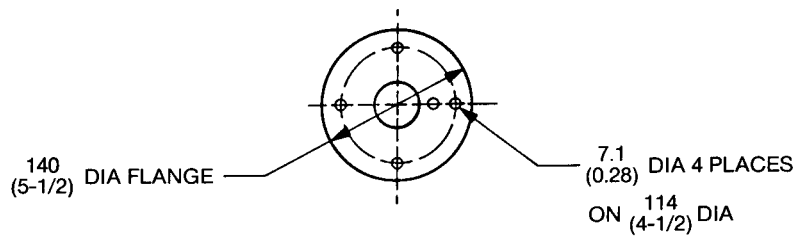
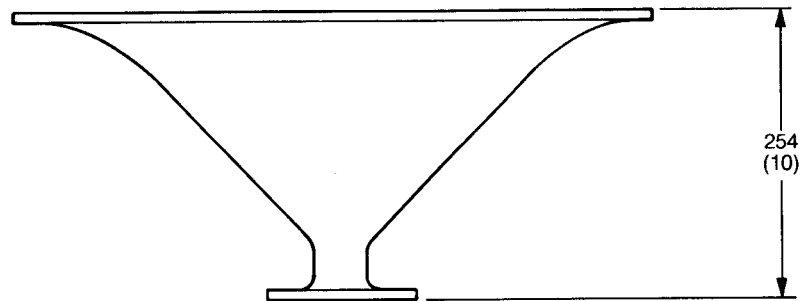
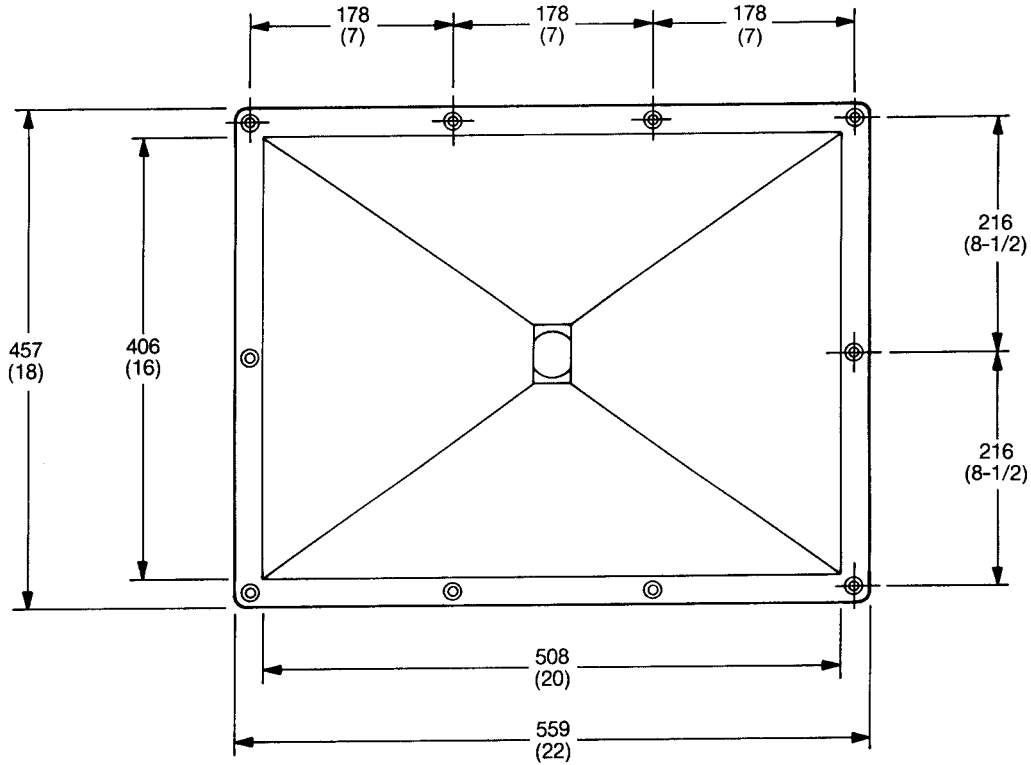
COMPONENT VIEW



JBL2352

MECHANICAL DRAWING

THESE DRAWINGS AND SPECIFICATIONS ARE THE PROPERTY OF JBL INC. AND ARE NOT TO BE REPRODUCED, COPIED, OR USED AS THE BASIS FOR MANUFACTURE OR SALE OF APPARATUS WITHOUT WRITTEN PERMISSION.



NOTE: DIMENSIONS ARE IN mm AND () INCHES AND ARE REF. ONLY.

JBL2352