

DRAWING NUMBER ISSUE
S-B260DS-02



HARMAN INTERNATIONAL
INDUSTRIES LIMITED
CRANBORNE HOUSE
CRANBORNE ROAD
POTTERS BAR
HERTS
EN6 3JN

BSS Audio Ltd. Tel 01707 660667
Fax 01707 660755

TITLE: OUTPUT PCB

FILENAME: S-B260DS-02.SCH

DRAWN BY: AW

DATE: 8/12/99

CHECKED: *PAW* ✓

LAYERS: SHEET 1 OF 1

ISSUE DETAILS
1. PRE-PRODUCTION RELEASE 8/12/99
2. ECN0366 05/09/00

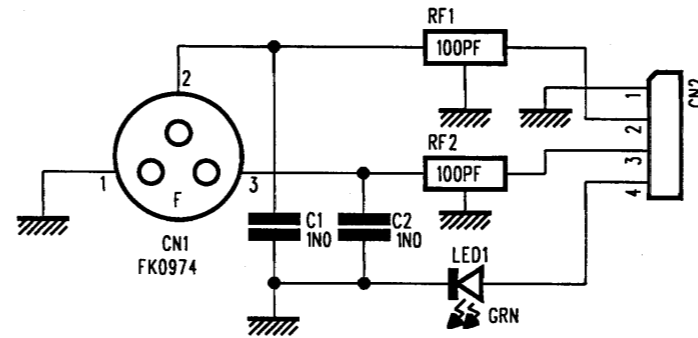
DIMENSIONS:

MATERIALS:

FINISH:

ARTWORK:

NOTES



**BSS AUDIO LTD
MASTER**

THIS DRAWING IS THE COPYRIGHT OF BSS Audio Ltd. ALL REPRODUCTION AND COPYING, OTHER THAN THAT FOR LICENCED MANUFACTURES OWN INTERNAL USE, OR DISCLOSURE OF PART OR WHOLE TO A THIRD PARTY WITHOUT PRIOR WRITTEN AUTHORISATION IS IN VIOLATION OF THE COPYRIGHT. © BSS Audio Ltd 1995