

PART / DRG. NUMBER
TD-B261A-02

TITLE.
**JBL-B2 CONTROLLER - RACK MOUNT
MOUNTING DETAILS**
Sheet 1 of 1

MATERIAL.

FINISH.

DETAILS.

ISSUE COMMENTS. (FOR REFERENCE ONLY)
ISSUE 2, SEE ECN0377
C LABEL ADDED.

FILENAME.

DRAWN. PB

DATE. 29.9.00

CHECKED.

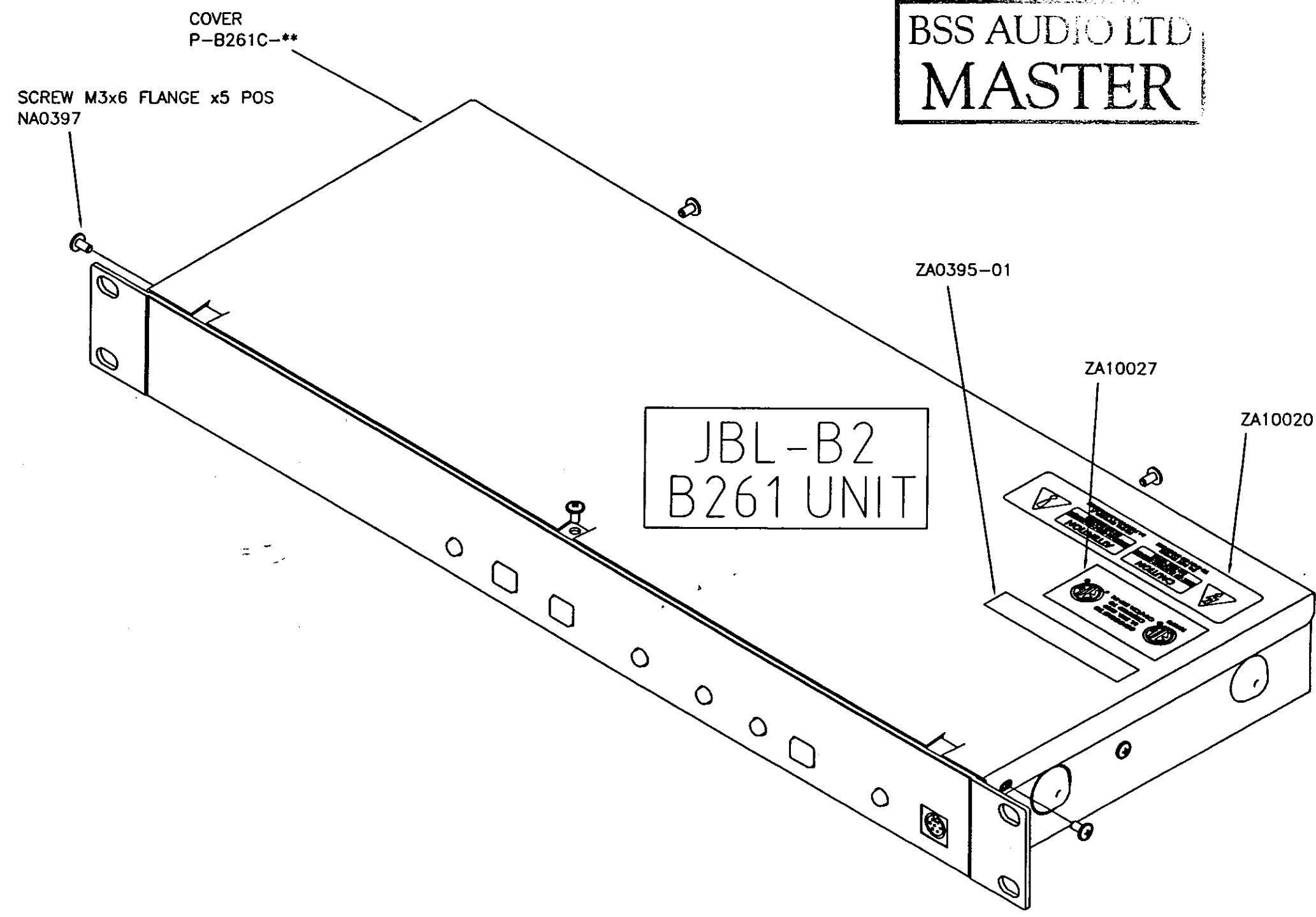
ALL DIMENSIONS ARE IN millimetres.
DIMENSION TOLERANCE.
DIMENSION TO 1 DECIMAL PLACE IS $\pm 0.25\text{mm}$
DIMENSION TO 2 DECIMAL PLACES IS $\pm 0.1\text{mm}$
ANGULAR TOLERANCE IS $\pm 0.5^\circ$.



 Harman International Industries Ltd.
Cranborne House,
Cranborne Road,
Potters Bar,
Hertfordshire EN8 3JN
UK
Tel: 01707 660667
Fax: 01707 660755

THIS DRAWING IS THE COPYRIGHT OF BSS AUDIO AND C-AUDIO. ALL
REPRODUCTION AND COPYING, OTHER THAN THAT FOR LICENSED MANUFACTURERS
FOR INTERNAL USE, OR DISCLOSURE OF PART OR WHOLE TO A THIRD PARTY
WITHOUT PRIOR WRITTEN AUTHORISATION IS IN VIOLATION OF THE COPYRIGHT.
© BSS AUDIO & C-AUDIO, 2000.

DO NOT SCALE



REMOVE ALL BURRS & SHARP EDGES