

Technical Manual

JBL ESK10/ESK15-1

SPECIFICATIONS



DESCRIPTION:

The ESK15 is a suspension kit may be retrofitted to EON15" models (except EON1500). It consists of two parts; the top bar and the pullback bar, These parts are drilled to accept forged shackles having a bolt diameter of 1/4".

The ESK10 is a suspension kit that is designed for use with the EON 10" models. It consists of two brackets that are mounted at the upper corners of the speaker, a pullback bar, and the required spacers and screws.

Note that the required 1/4" forged shackles and other hardware are not included with the kits.

CAUTION:

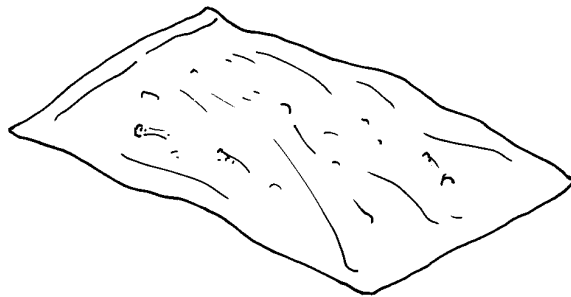
Unsafe mounting or overhead suspension of any heavy load can result in serious injury and equipment damage. Mounting of speakers should be done by qualified persons following safe rigging practices in accordance with all applicable local safety and construction standards. Be certain to follow the instructions provided by the manufacturer of the mounting bracket. Before selecting a mounting bracket, be certain that it is capable of supporting the weight of the speaker to be mounted.

Do not use any hardware, bracket or fastener if it is damaged. Replace any damaged or suspect parts with the proper type prior to installation or suspension. Periodically inspect all hardware, fittings and brackets for damage and replace/re-torque as required.

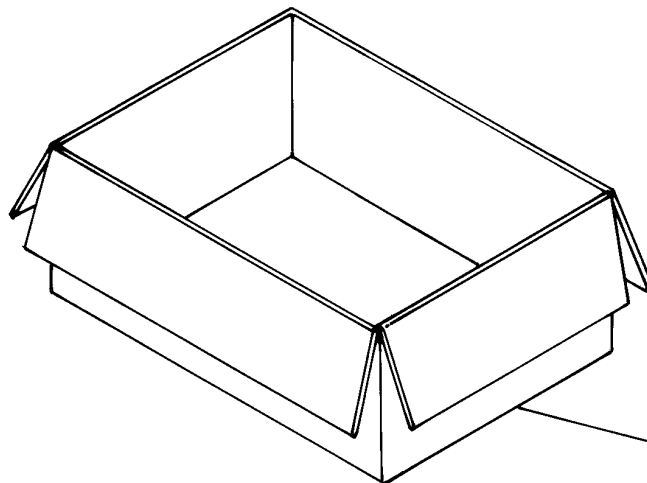
WARRANTY INFORMATION:

- Refer to the Warranty Statement packed with each product.

PACKAGE



Warranty 59660
Instruction Sheet
ESK10 980-00049-00
Instruction Sheet
ESK15 980-00048-00

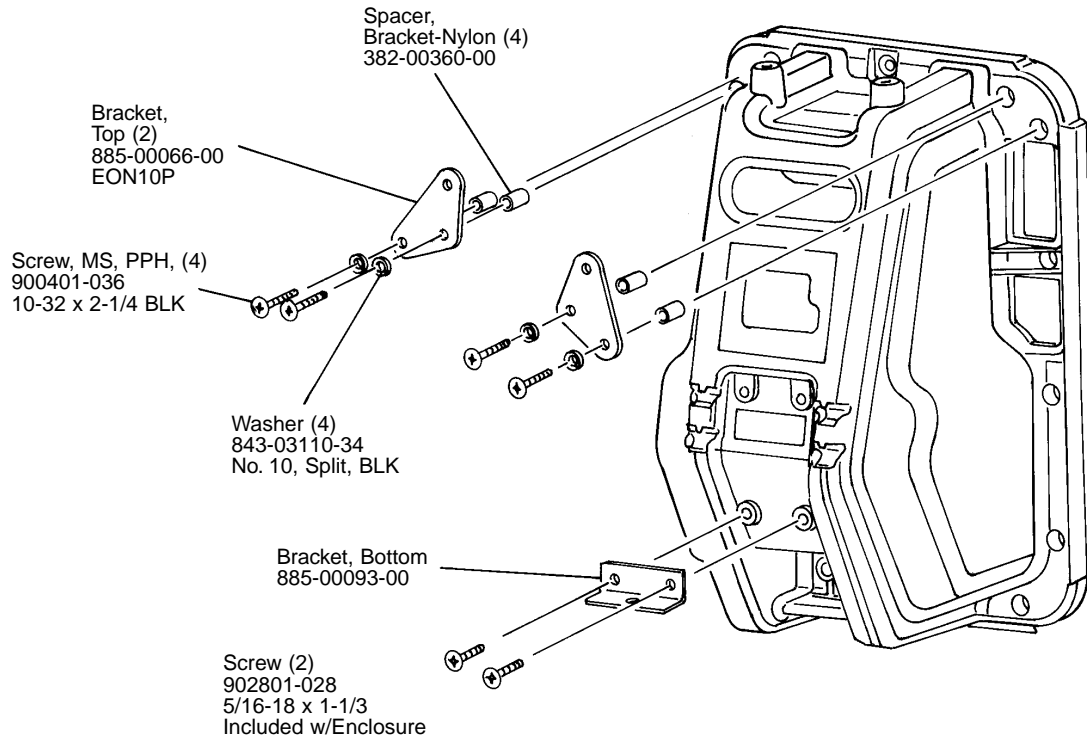


Carton
990-00222-00

JBL ESK10/ESK15-1

COMPONENT EXPLODED VIEW

ESK10



ESK15

