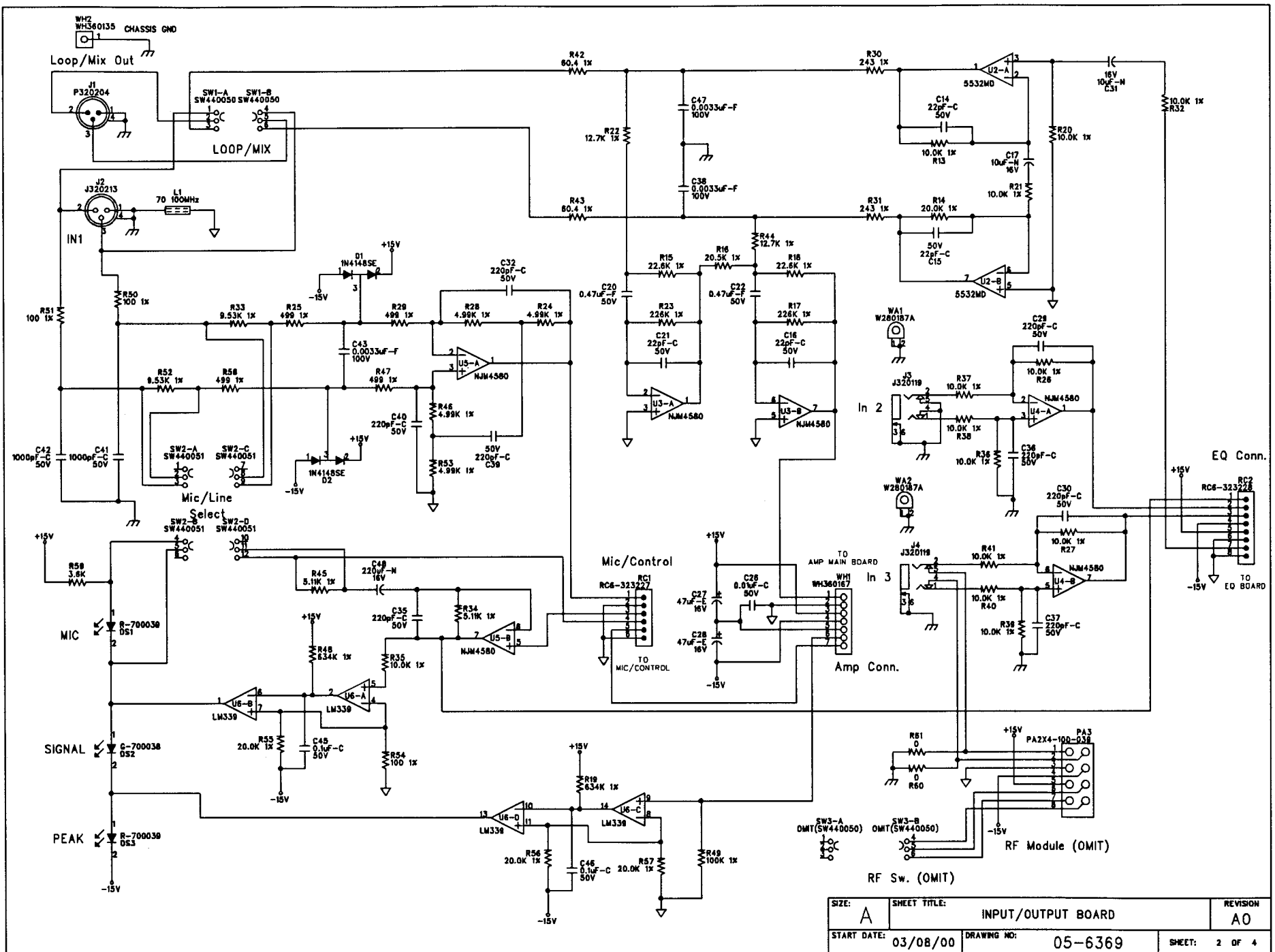


JBL EON15-G2



SIZE: A	SHEET TITLE: INPUT/OUTPUT BOARD	REVISION: AO
START DATE: 03/08/00	DRAWING NO: 05-6369	SHEET: 2 OF 4