

DRAWING NUMBER ISSUE  
**S-S2000AS-02A**



A DIVISION OF HARMAN INTERNATIONAL INDUSTRIES LIMITED  
 CRANBORNE HOUSE  
 CRANBORNE ROAD  
 POTTERS BAR  
 HERTFORDSHIRE  
 EN6 3JN  
 TEL: +44 (0)1707 665000  
 FAX: +44 (0)1707 660482

TITLE: **E6 MIXER**

SHEET 1 OF 10

FILENAME: S-S2000AS-02A.SCH

DRAWN: AC

DATE: 20/01/02

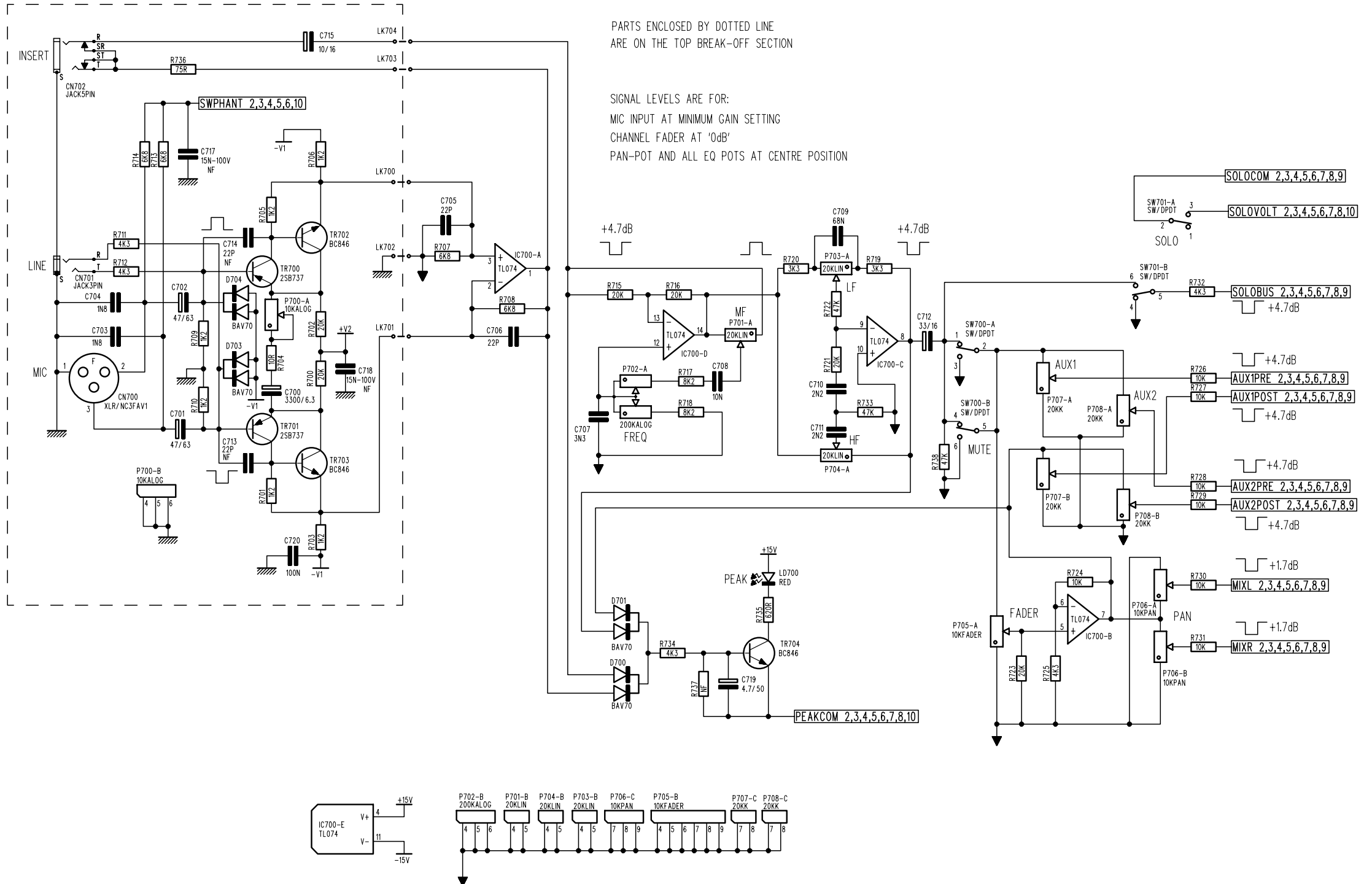
CHECKED:

MATERIAL:

FINISH:

ISSUE COMMENTS:

1. PROTOTYPE RELEASE 29/01/01
2. PRODUCTION RELEASE 08/07/02
- 2A. ECN0619 22/10/02



SOUNDCRAFT OWN THE COPYRIGHT OF THIS DRAWING WHICH IS NOT TO BE COPIED, REPRODUCED OR DISCLOSED IN PART OR WHOLE TO A THIRD PARTY WITHOUT PRIOR WRITTEN PERMISSION ©SOUNDCRAFT, A DIVISION OF HARMAN INTERNATIONAL INDUSTRIES LIMITED



DRAWING NUMBER ISSUE  
**S-S2000AS-02A**



A DIVISION OF HARMAN INTERNATIONAL INDUSTRIES LIMITED  
 CRANBORNE HOUSE  
 CRANBORNE ROAD  
 POTTERS BAR  
 HERTFORDSHIRE  
 EN6 3JN  
 TEL: +44 (0)1707 665000  
 FAX: +44 (0)1707 660482

TITLE: **E6 MIXER**

SHEET 3 OF 10

FILENAME: S-S2000AS-02A.SCH

DRAWN: AC

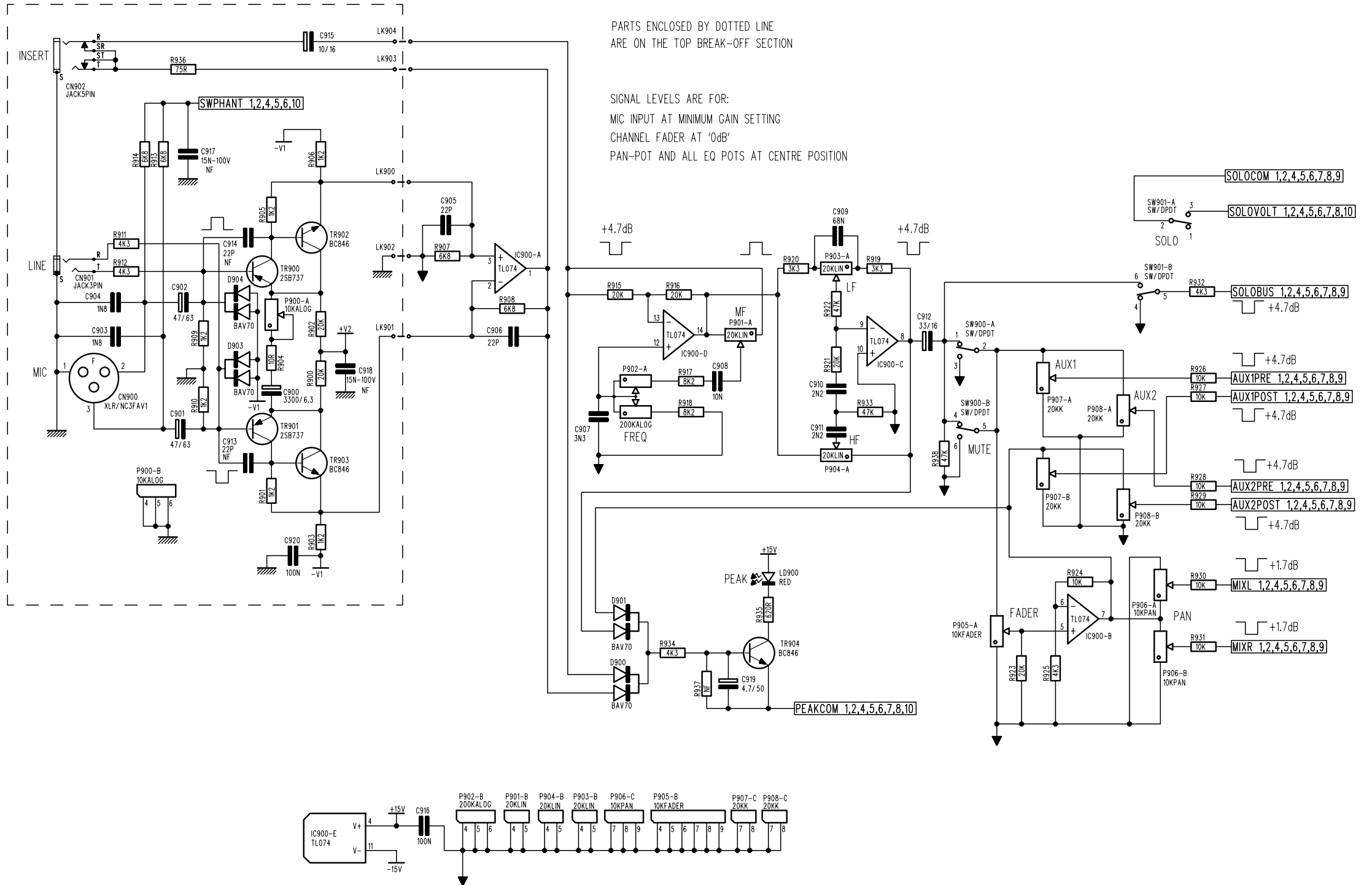
DATE: 20/01/02

CHECKED:

MATERIAL:

FINISH:

ISSUE COMMENTS:



SOUNDCRAFT OWN THE COPYRIGHT OF THIS DRAWING  
 WHICH IS NOT TO BE COPIED, REPRODUCED OR DISCLOSED  
 IN PART OR WHOLE TO A THIRD PARTY WITHOUT PRIOR WRITTEN PERMISSION  
 ©SOUNDCRAFT, A DIVISION OF HARMAN INTERNATIONAL INDUSTRIES LIMITED

DRAWING NUMBER ISSUE  
**S-S2000AS-02A**



A DIVISION OF HARMAN INTERNATIONAL INDUSTRIES LIMITED  
 CRANBORNE HOUSE  
 CRANBORNE ROAD  
 POTTERS BAR  
 HERTFORDSHIRE  
 EN6 3JN  
 TEL: +44 (0)1707 665000  
 FAX: +44 (0)1707 660482

TITLE: **E6 MIXER**

SHEET 4 OF 10

FILENAME: S-S2000AS-02A.SCH

DRAWN: AC

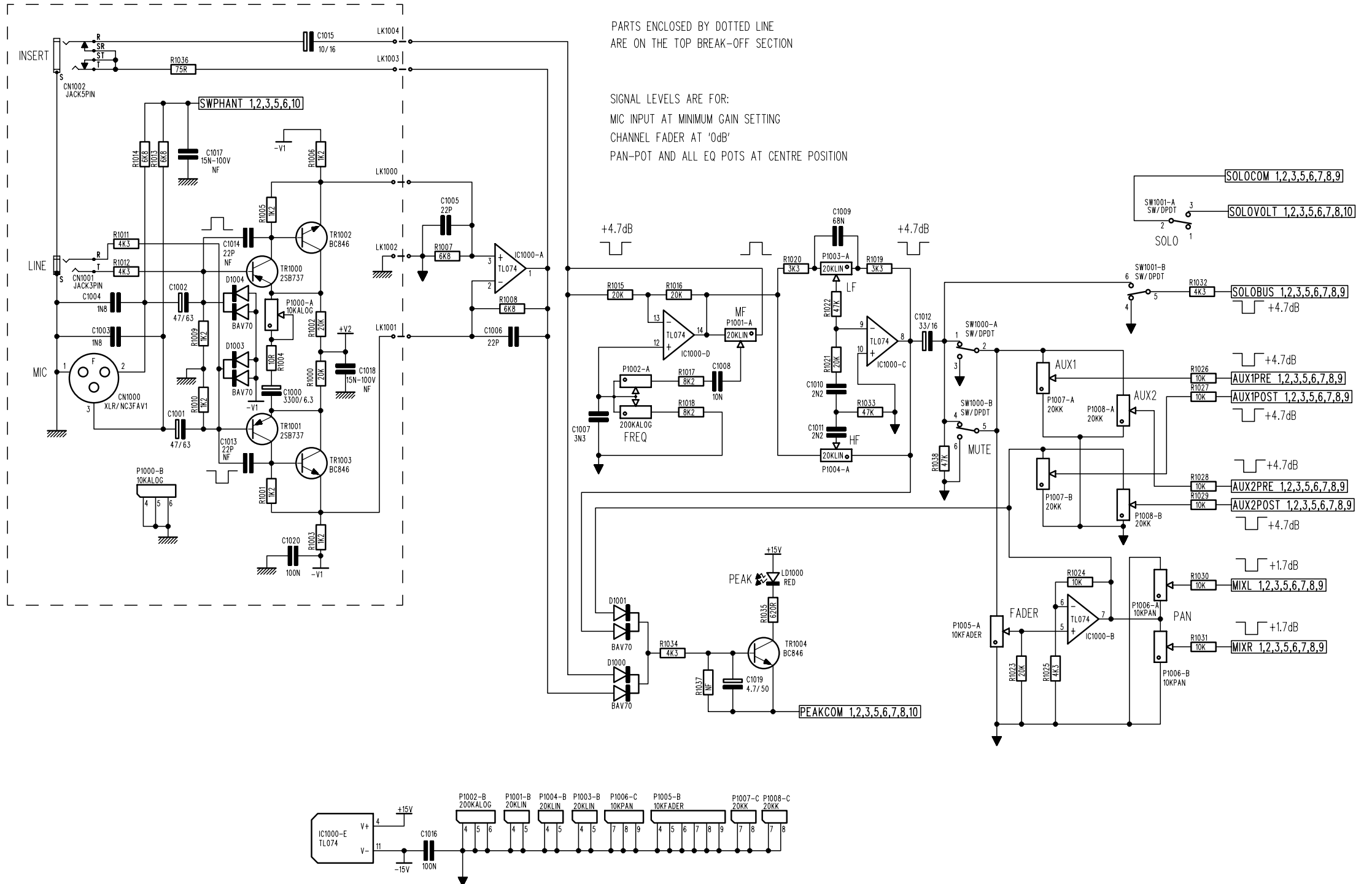
DATE: 20/01/02

CHECKED:

MATERIAL:

FINISH:

ISSUE COMMENTS:



PARTS ENCLOSED BY DOTTED LINE ARE ON THE TOP BREAK-OFF SECTION

SIGNAL LEVELS ARE FOR:  
 MIC INPUT AT MINIMUM GAIN SETTING  
 CHANNEL FADER AT '0dB'  
 PAN-POT AND ALL EQ POTS AT CENTRE POSITION

SOUNDCRAFT OWN THE COPYRIGHT OF THIS DRAWING WHICH IS NOT TO BE COPIED, REPRODUCED OR DISCLOSED IN PART OR WHOLE TO A THIRD PARTY WITHOUT PRIOR WRITTEN PERMISSION ©SOUNDCRAFT, A DIVISION OF HARMAN INTERNATIONAL INDUSTRIES LIMITED



DRAWING NUMBER ISSUE  
**S-S2000AS-02A**



A DIVISION OF HARMAN INTERNATIONAL INDUSTRIES LIMITED  
 CRANBORNE HOUSE  
 CRANBORNE ROAD  
 POTTERS BAR  
 HERTFORDSHIRE  
 EN6 3JN  
 TEL: +44 (0)1707 665000  
 FAX: +44 (0)1707 660482

TITLE: **E6 MIXER**

SHEET 6 OF 10

FILENAME: S-S2000AS-02A.SCH

DRAWN: AC

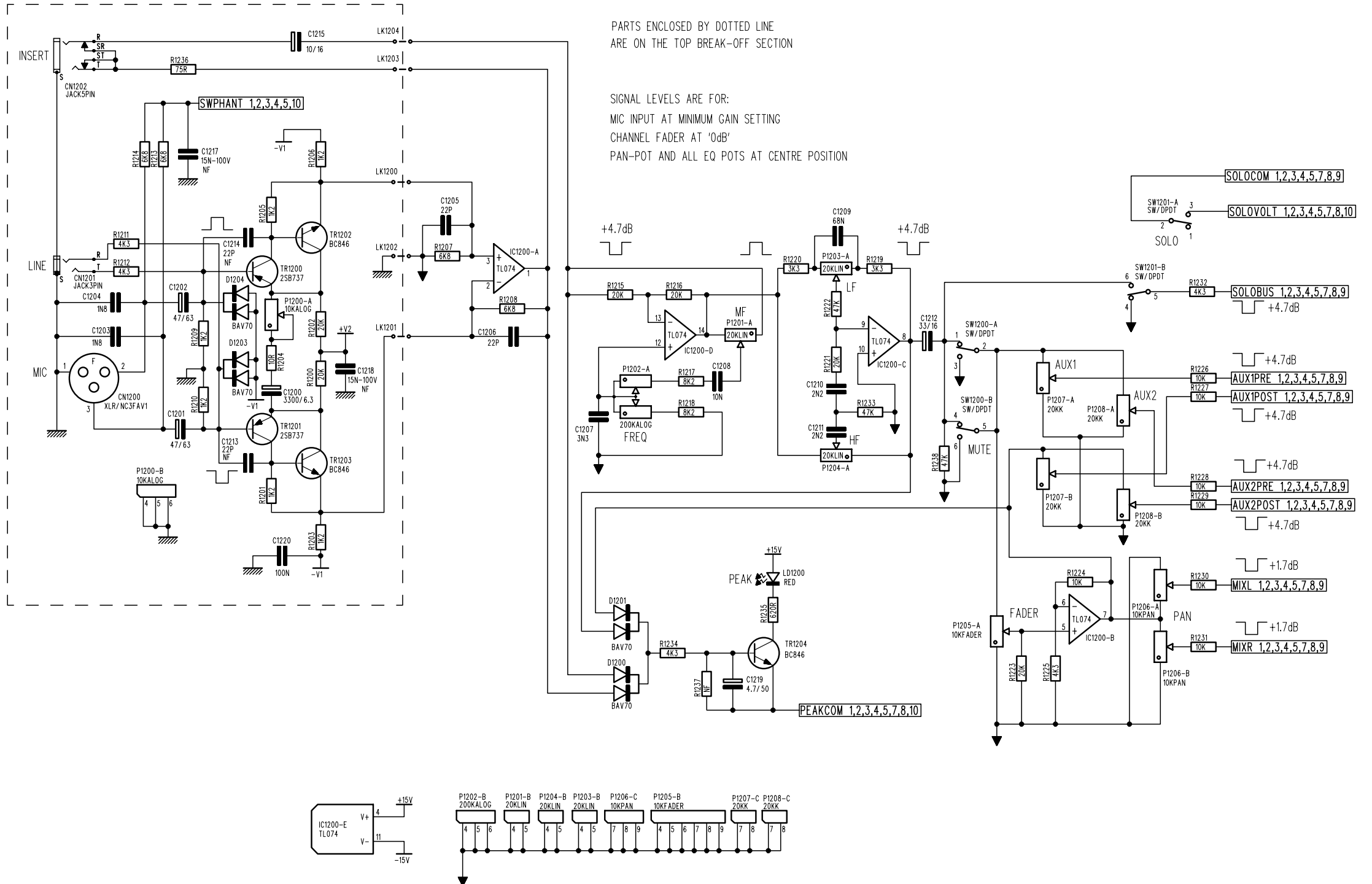
DATE: 20/01/02

CHECKED:

MATERIAL:

FINISH:

ISSUE COMMENTS:



SOUNDCRAFT OWN THE COPYRIGHT OF THIS DRAWING WHICH IS NOT TO BE COPIED, REPRODUCED OR DISCLOSED IN PART OR WHOLE TO A THIRD PARTY WITHOUT PRIOR WRITTEN PERMISSION ©SOUNDCRAFT, A DIVISION OF HARMAN INTERNATIONAL INDUSTRIES LIMITED

DRAWING NUMBER ISSUE  
**S-S2000AS-02A**

**Soundcraft**  
 A DIVISION OF HARMAN INTERNATIONAL INDUSTRIES LIMITED  
 CRANBORNE HOUSE  
 CRANBORNE ROAD  
 POTTERS BAR  
 HERTFORDSHIRE  
 EN6 3JN  
 TEL: +44 (0)1707 665000  
 FAX: +44 (0)1707 660482

TITLE: **E6 MIXER**

FILENAME: S-S2000AS-02A.SCH

DRAWN: AC

DATE: 20/01/02

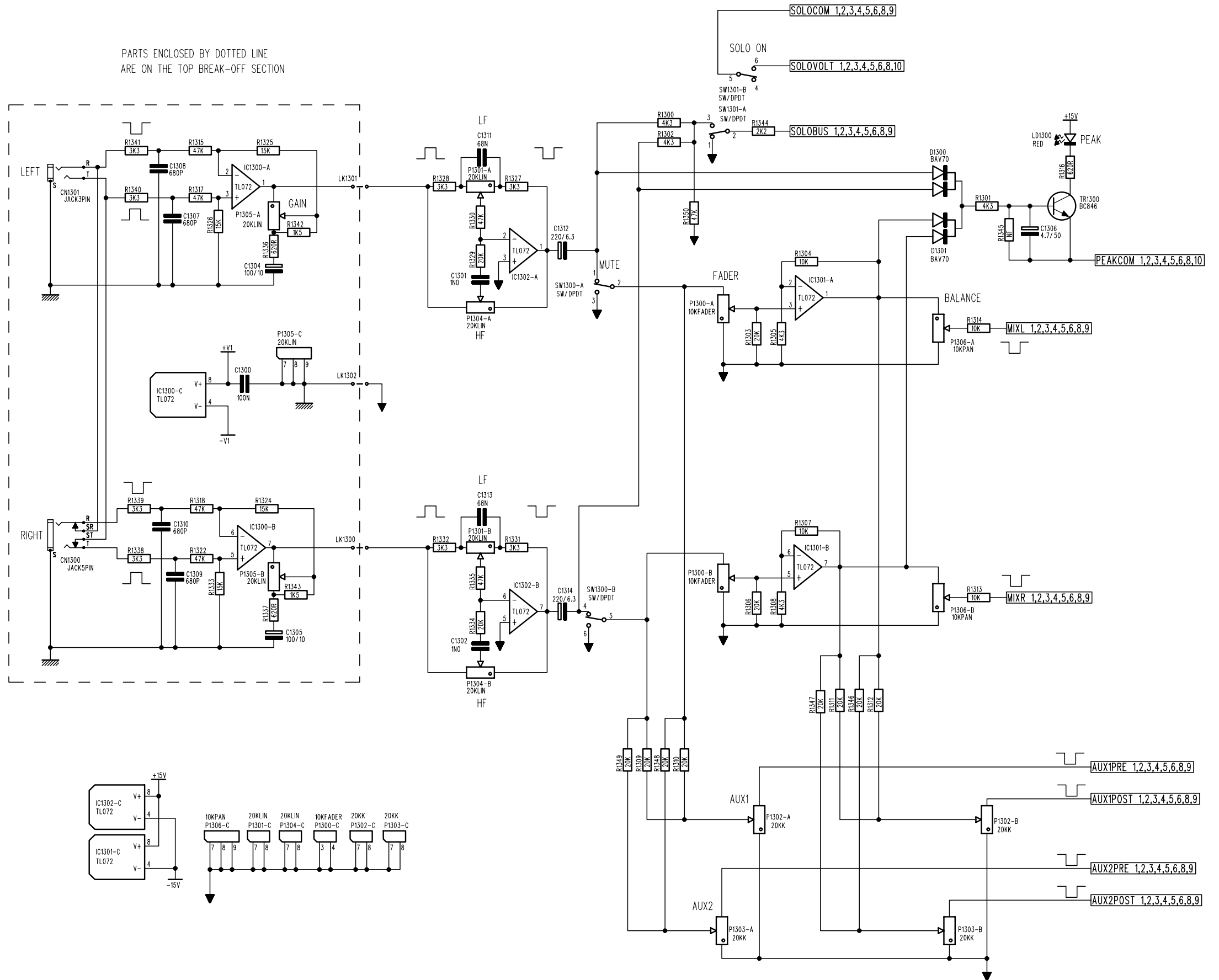
CHECKED:

MATERIAL:

FINISH:

ISSUE COMMENTS:

PARTS ENCLOSED BY DOTTED LINE  
 ARE ON THE TOP BREAK-OFF SECTION



SOUNDCRAFT OWNS THE COPYRIGHT OF THIS DRAWING  
 WHICH IS NOT TO BE COPIED, REPRODUCED OR DISCLOSED  
 IN PART OR WHOLE TO A THIRD PARTY WITHOUT PRIOR WRITTEN PERMISSION  
 ©SOUNDCRAFT, A DIVISION OF HARMAN INTERNATIONAL INDUSTRIES LIMITED

DRAWING NUMBER ISSUE  
**S-S2000AS-02A**



A DIVISION OF HARMAN INTERNATIONAL INDUSTRIES LIMITED  
 CRANBORNE HOUSE  
 CRANBORNE ROAD  
 POTTERS BAR  
 HERTFORDSHIRE  
 EN6 3JN  
 TEL: +44 (0)1707 665000  
 FAX: +44 (0)1707 660482

TITLE: **E6 MIXER**

SHEET 8 OF 10  
 FILENAME: S-S2000AS-02A.SCH

DRAWN: AC

DATE: 20/01/02

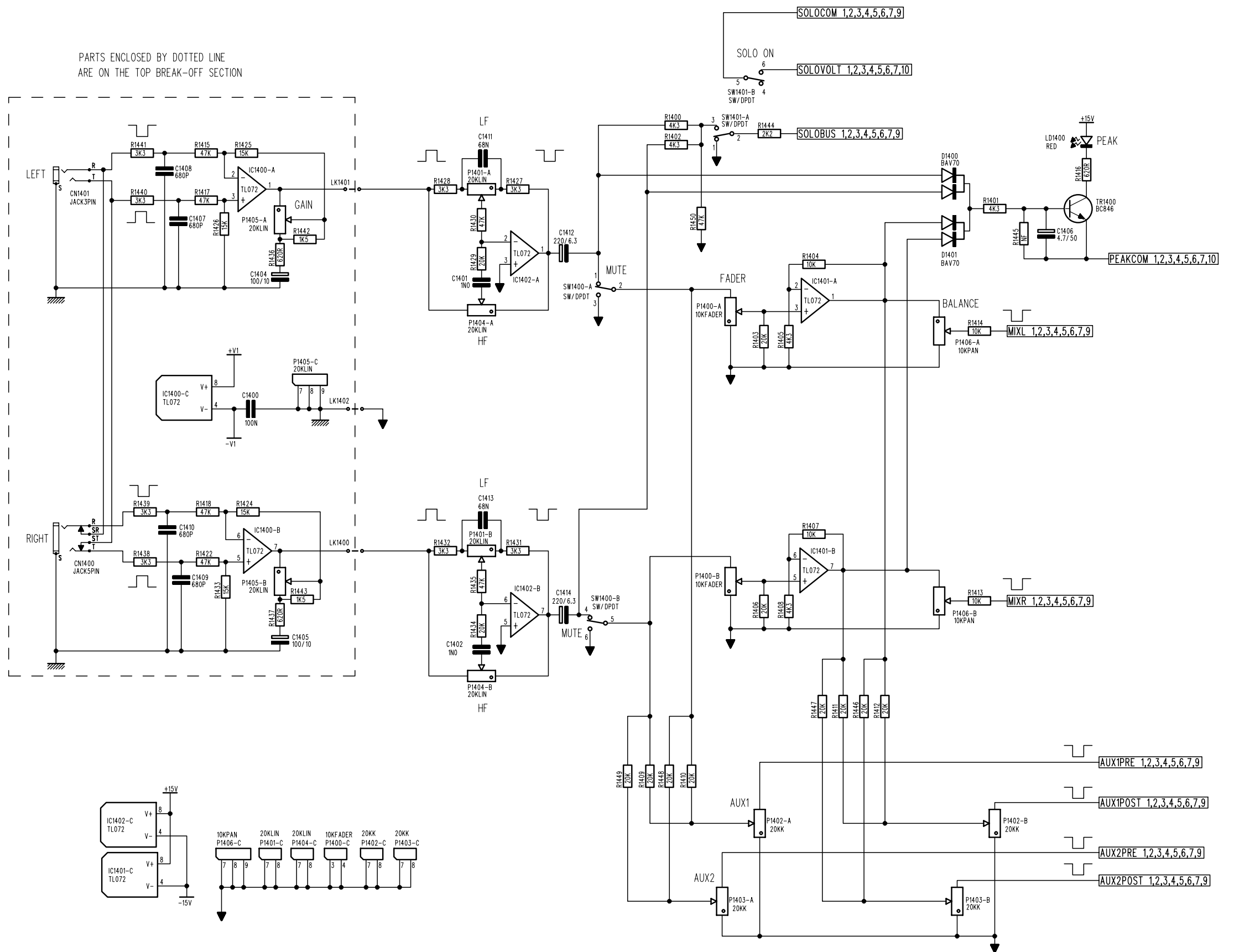
CHECKED:

MATERIAL:

FINISH:

ISSUE COMMENTS:

PARTS ENCLOSED BY DOTTED LINE  
 ARE ON THE TOP BREAK-OFF SECTION



SOUNDCRAFT OWNS THE COPYRIGHT OF THIS DRAWING  
 WHICH IS NOT TO BE COPIED, REPRODUCED OR DISCLOSED  
 IN PART OR WHOLE TO A THIRD PARTY WITHOUT PRIOR WRITTEN PERMISSION  
 ©SOUNDCRAFT, A DIVISION OF HARMAN INTERNATIONAL INDUSTRIES LIMITED

DRAWING NUMBER ISSUE  
**S-S2000AS-02A**

**Soundcraft**  
 A DIVISION OF HARMAN INTERNATIONAL INDUSTRIES LIMITED  
 CRANBORNE HOUSE  
 CRANBORNE ROAD  
 POTTERS BAR  
 HERTFORDSHIRE  
 EN6 3JN  
 TEL: +44 (0)1707 665000  
 FAX: +44 (0)1707 660482

TITLE: **E6 MIXER**

FILENAME: S-S2000AS-02A.SCH

DRAWN: AC

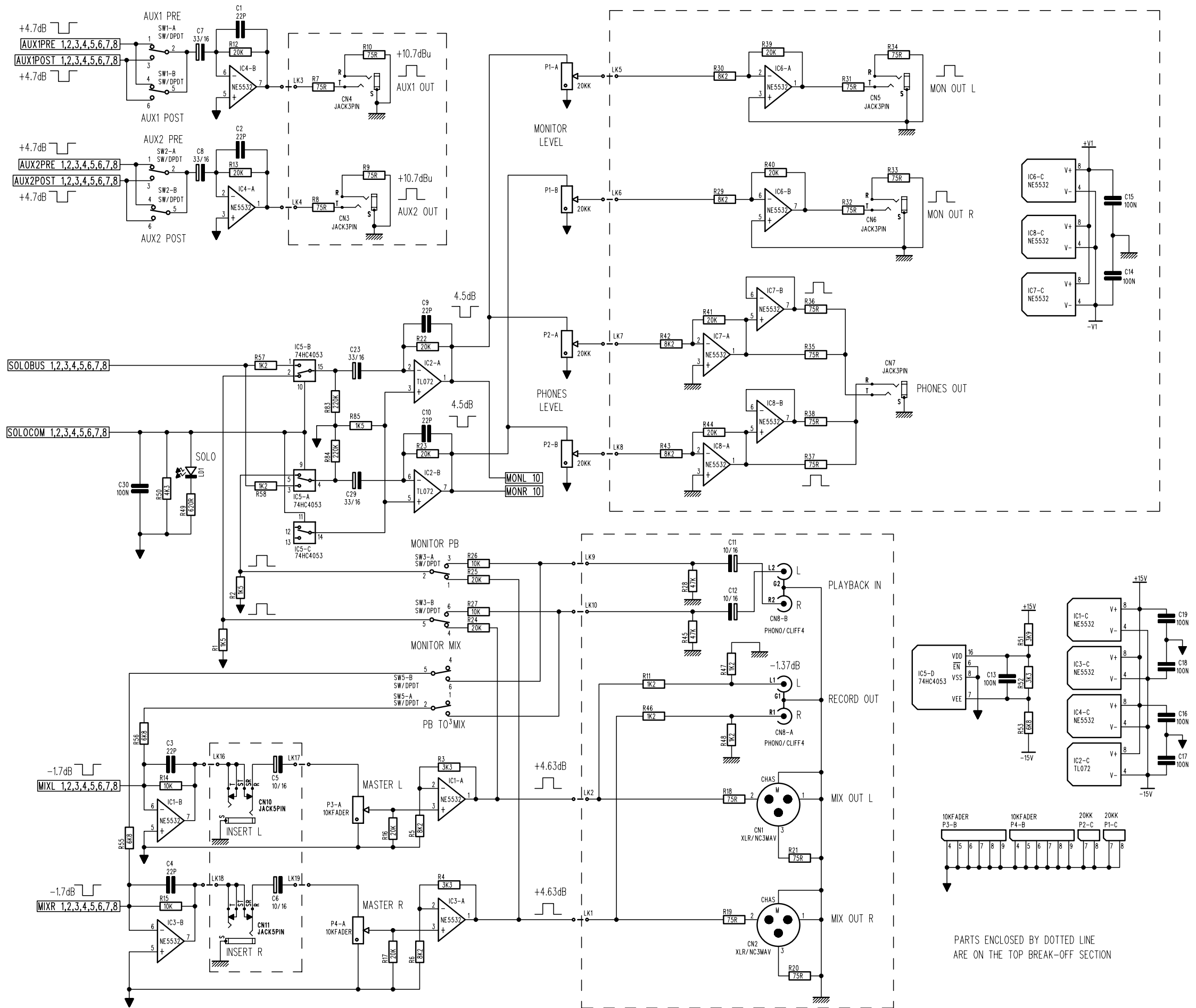
DATE: 20/01/02

CHECKED:

MATERIAL:

FINISH:

ISSUE COMMENTS:



SOUNDCRAFT OWNS THE COPYRIGHT OF THIS DRAWING WHICH IS NOT TO BE COPIED, REPRODUCED OR DISCLOSED IN PART OR WHOLE TO A THIRD PARTY WITHOUT PRIOR WRITTEN PERMISSION ©SOUNDCRAFT, A DIVISION OF HARMAN INTERNATIONAL INDUSTRIES LIMITED

DRAWING NUMBER ISSUE  
**S-S2000AS-02A**

**Soundcraft**  
 A DIVISION OF HARMAN INTERNATIONAL INDUSTRIES LIMITED  
 CRANBORNE HOUSE  
 CRANBORNE ROAD  
 POTTERS BAR  
 HERTFORDSHIRE  
 EN6 3JN  
 TEL: +44 (0)1707 665000  
 FAX: +44 (0)1707 660482

TITLE: **E6 MIXER**

FILENAME: S-S2000AS-02A.SCH

DRAWN: AC

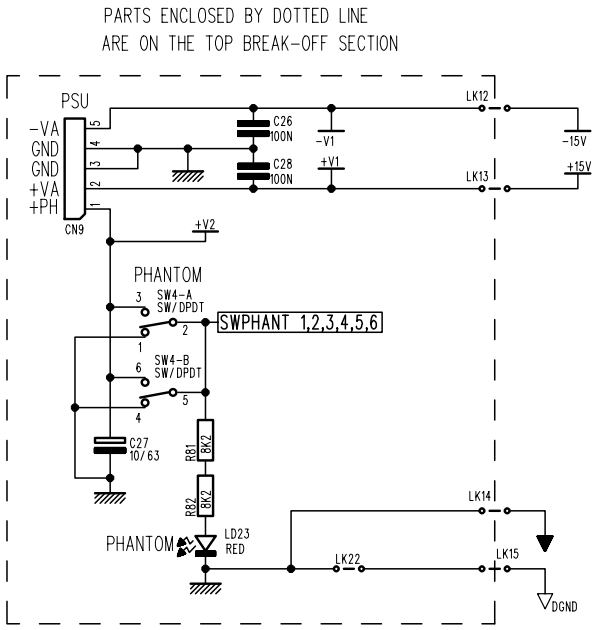
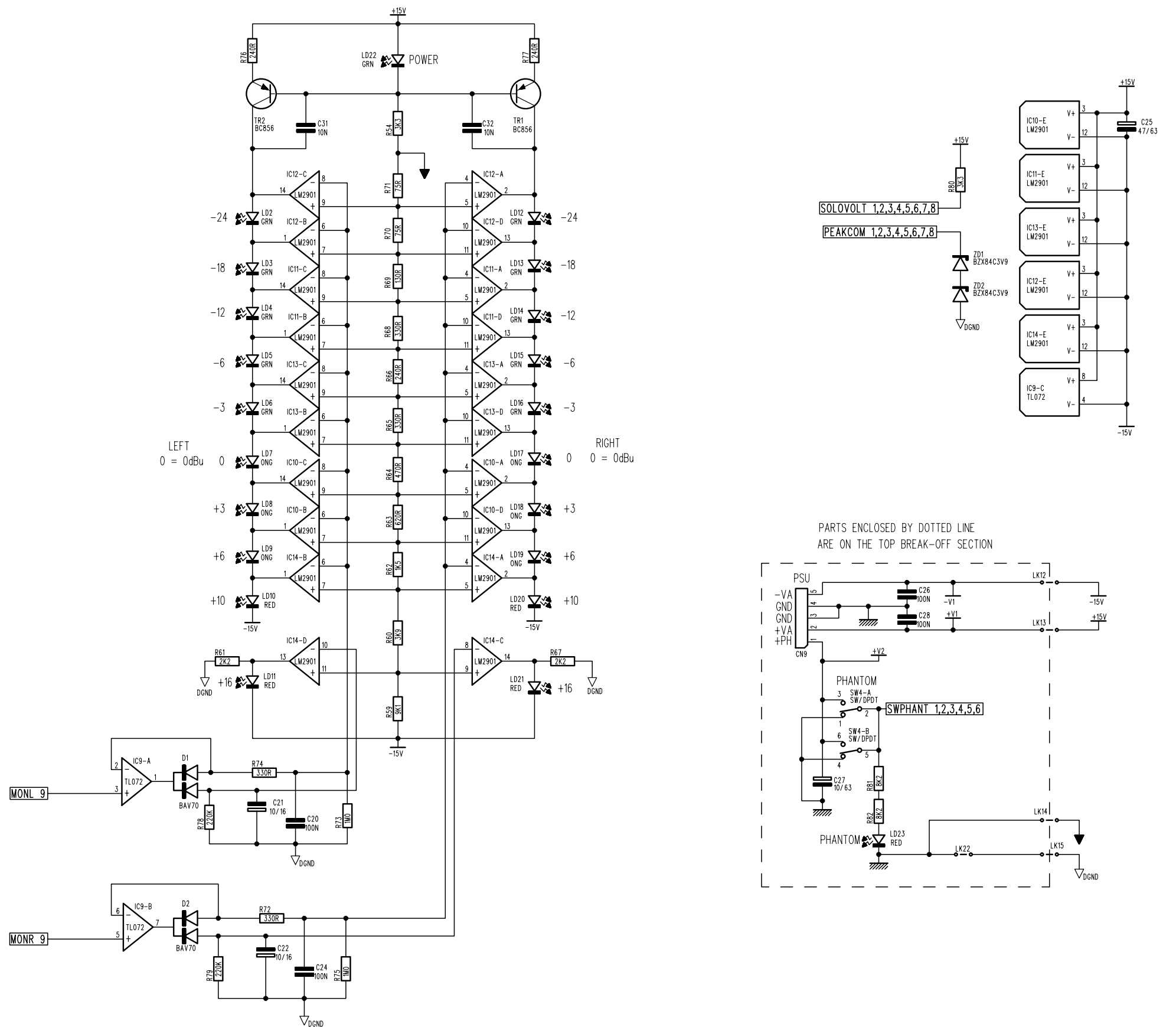
DATE: 20/01/02

CHECKED:

MATERIAL:

FINISH:

ISSUE COMMENTS:



SOUNDCRAFT OWNS THE COPYRIGHT OF THIS DRAWING WHICH IS NOT TO BE COPIED, REPRODUCED OR DISCLOSED IN PART OR WHOLE TO A THIRD PARTY WITHOUT PRIOR WRITTEN PERMISSION ©SOUNDCRAFT, A DIVISION OF HARMAN INTERNATIONAL INDUSTRIES LIMITED