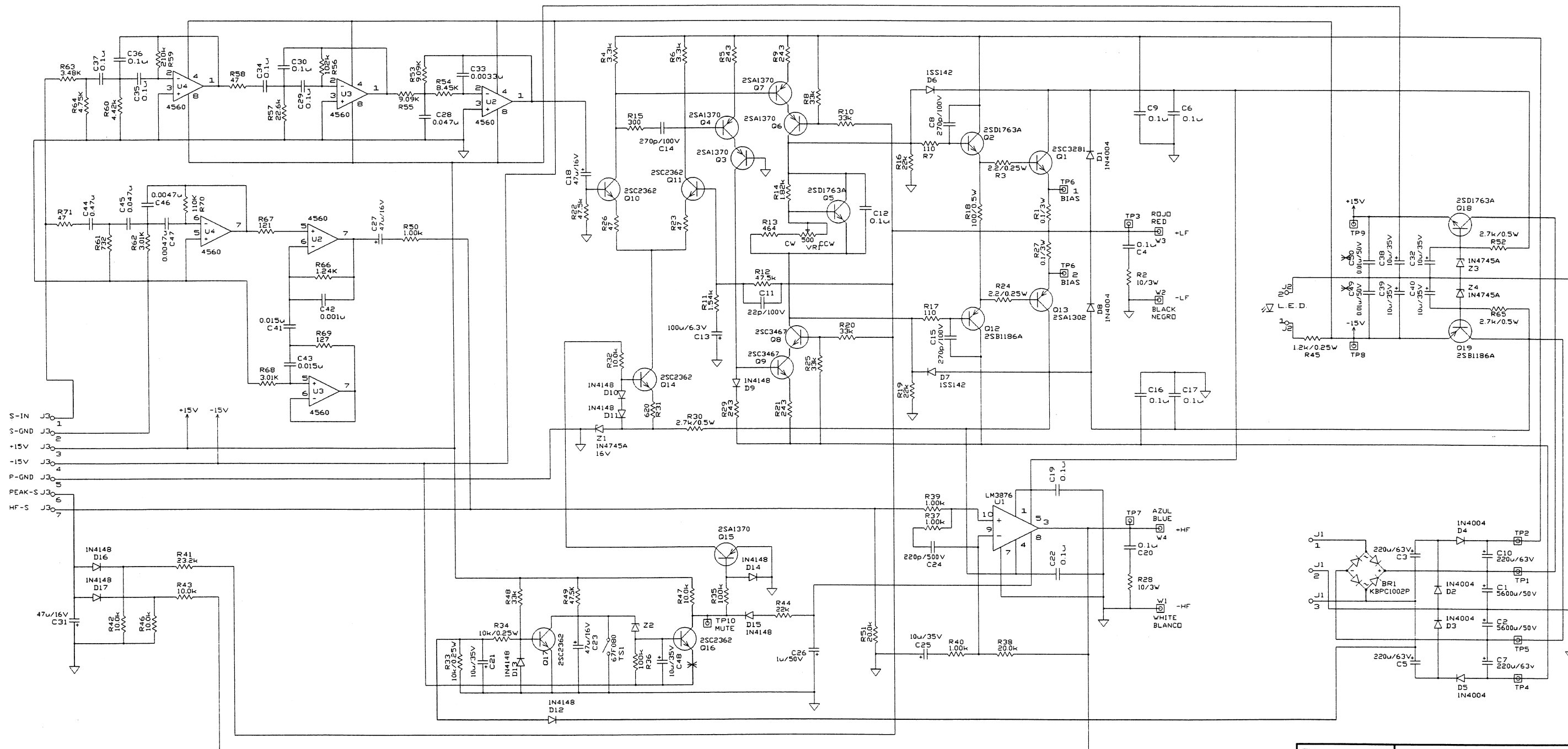



Schematic Amp Assembly EON Power15

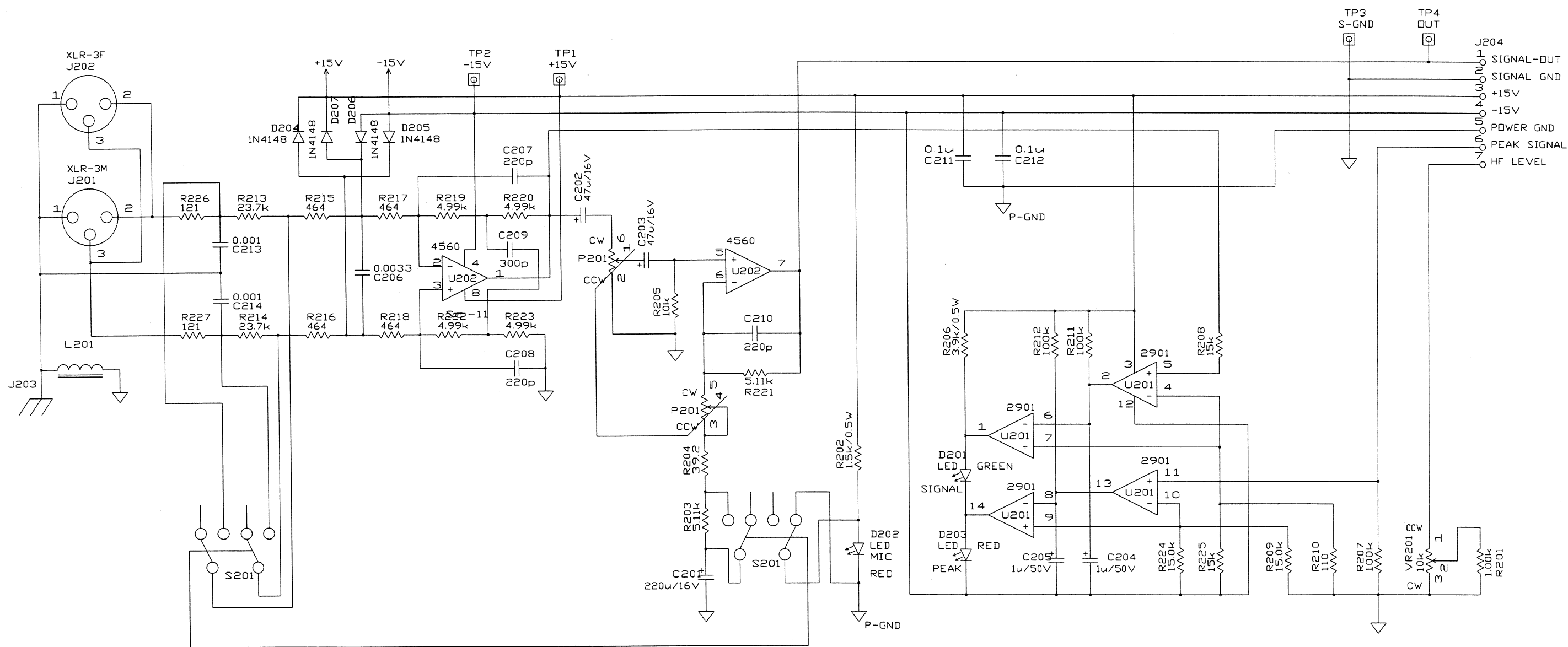
These Drawings and Specifications are the Property of JBL Professional Inc. They are Issued in Strict Confidence and Shall Not Be Reproduced, Copied, or Used as the Basis for Manufacturing or Sale of Apparatus Without Written Permission.



	JBL Professional A Harman International Company Northridge, California 91329, USA	
	SCHEMATIC, MAIN BOARD	
	500-00002	REV B

Schematic Signal Input Assembly EON Power15

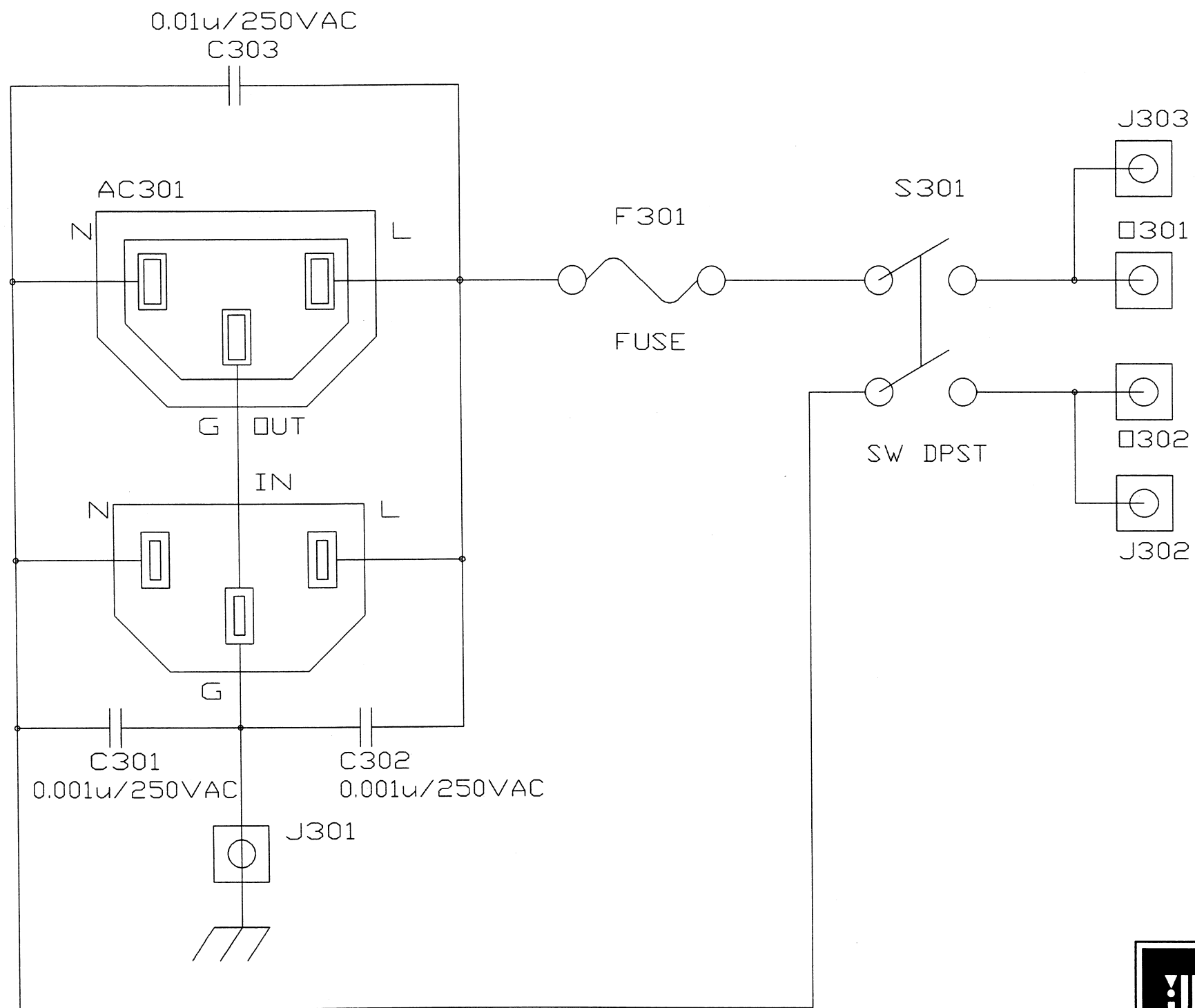
These Drawings and Specifications are the Property of JBL Professional Inc. They are Issued in Strict Confidence and Shall Not Be Reproduced, Copied, or Used as the Basis for Manufacturing or Sale of Apparatus Without Written Permission.



JBL PROFESSIONAL	JBL Professional A Harman International Company Northridge, California 91329, USA	
	SCHEMATIC, SIGNAL INPUT	
	500-00000	REV A

Schematic AC Input Assembly EON Power15

These Drawings and Specifications are the Property of JBL Professional Inc. They are Issued in Strict Confidence and Shall Not Be Reproduced, Copied, or Used as the Basis for Manufacturing or Sale of Apparatus Without Written Permission.



JBL PROFESSIONAL	JBL Professional A Harman International Company Northridge, California 91329, USA	
	SCHEMATIC, AC INPUT	
	500-00001	REV A