

Technical Manual



JBL EON518S/230

SPECIFICATIONS

ACOUSTIC & ELECTRICAL SPECIFICATIONS:

- System Power Rating: 500W continuous, 1000W peak
- Frequency Response: 42 Hz -100 Hz (± 3 dB)
- Frequency Range: 36 Hz -130 Hz (-10 dB)
- Input Gain: -infinity to +4 dBu
- Input Impedance: Nominal 20K ohms (balanced)
- Maximum SPL: 129 dB, 1 watt @ 1 meter
- Crossover Frequency: 120 Hz (HPF switchable on outputs)

SYSTEM COMPONENTS:

- Cabinet: Enclosure (Not for Sale)
- Baffle/Grille Assembly: 441958-001
- Low Frequency Transducer: 268G, 460 mm (18 in) Differential Drive® integrated woofer with dual voice coils, 4 ohm impedance
- DC Resistance: 2.60 ohm $\pm 10\%$
- Input Connectors: Balanced XLRs with loop through

SYSTEM COMPONENTS: (CONT'D)

- XLR Pin Assignments: (stereo) to balance XLR satellite outputs. 1/4" Speaker level input
Pin 2 (+), Pin 3 (-), Pin 1 (GND)
- Suspension/ Mounting: 36 mm pole socket on the top

AURAL SWEEP TEST SPECIFICATIONS:

- A. System Aural Sweep Test: 500mV Input, 20 Hz to 500 Hz
Sweep Duration: 5 seconds
- B. L.F. Aural Sweep Test: 3.5V Input, 10 Hz to 300 Hz

PHYSICAL SPECIFICATIONS:

- Enclosure Dimensions: 617 x 569 x 652 mm D
(24.3 x 22.4 x 25.7 in D)
- Shipping Weight: 65 lb (29.5 kg.)

WARRANTY INFORMATION:

- Refer to Warranty Statement packed with each product.

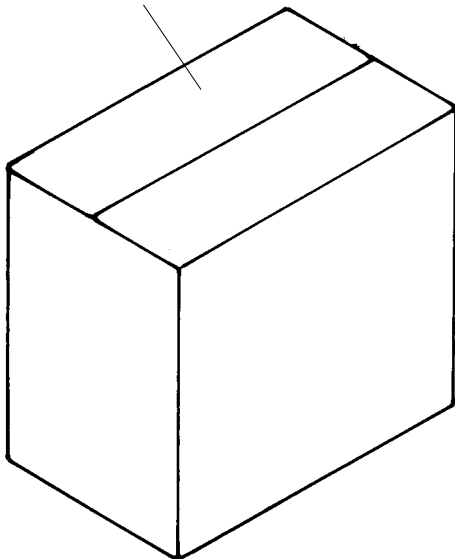
PACKAGE

Top / Bottom Inner, (2)
364817-001

PKG, Microfoam
49790P
20" x18" sheets

Carton
364816-001

Cord, AC, Line
425-00000-00 120V
425-00000-01 230V

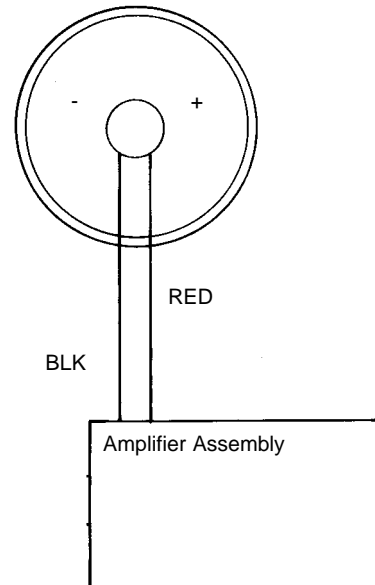


Warranty 59660

Owner's Manual
364822-001
(Available on
web-site only)

WIRING DIAGRAM

Driver, Low Freq.
268G
(364481-001X)
Cone Repl
C4R268



JBL EON518S/230

COMPONENT EXPLODED VIEW

