

# Technical Manual



# JBL 2258HPL/-1

## SPECIFICATIONS

### ACOUSTIC & ELECTRICAL SPECIFICATIONS:

- Nominal Impedance: 8 ohms
- Power Capacity: 800W
- Frequency Range: 35 Hz – 1 kHz
- Sensitivity: 97 dB SPL, 1 Watt @ 1 Meter

### SYSTEM COMPONENTS:

- Low Frequency Transducer: 460mm (18 in.) Cone
- Re: 5.2 ohms
- Fs: 31 Hz
- Qts: 0.27
- Qms: 4.82
- Qes: 0.28
- Vas: 407 Liters
- Ref Eff:
- Sd: 0.124 Sq Meters

### SYSTEM COMPONENTS: (CONT'D)

- Mms: 140 Gms
- BL: 22.3 T\*M
- Le @ 1kHz: 1.24mH
- Xmax: 8mm
- 10% THD

### AURAL SWEEP TEST SPECIFICATIONS:

- A. System Aural Sweep Test: 7.0V Input, 20 Hz to 2 kHz

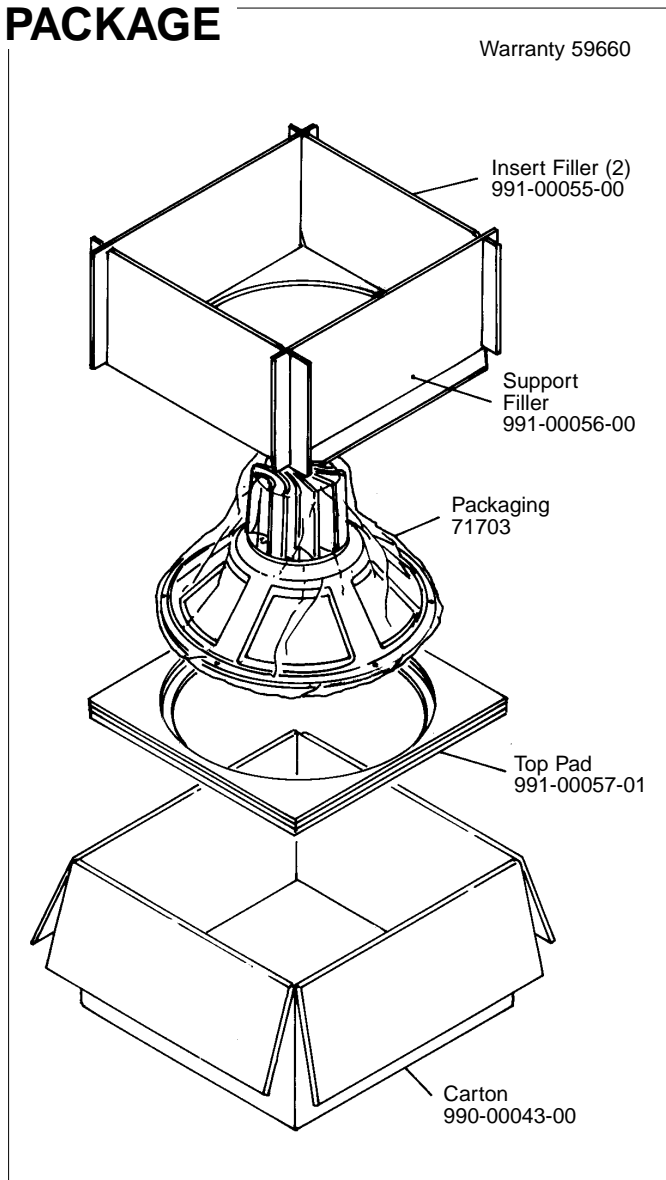
### PHYSICAL SPECIFICATIONS:

- Enclosure Dimensions: 460mm Dia. x 242mm D (18.0 in. Dia. x 9.5 in. D)
- Shipping Weight: 15 lbs. (6.8 kg.)

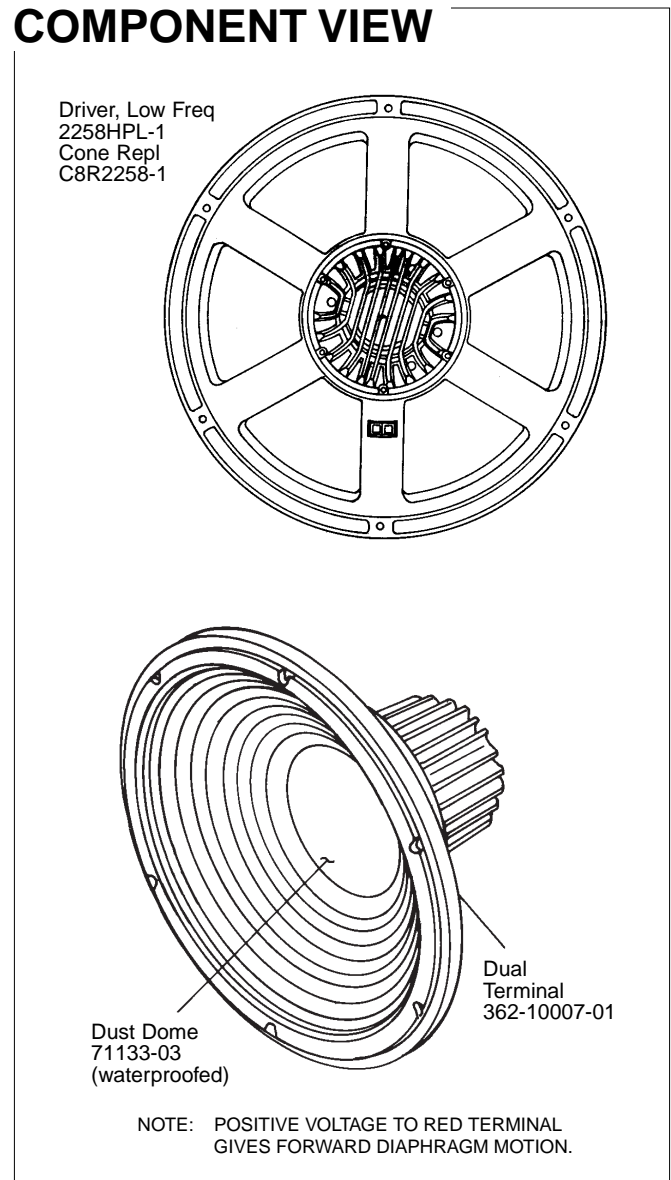
### WARRANTY INFORMATION:

- Refer to Warranty Statement packed with each product.

## PACKAGE



## COMPONENT VIEW

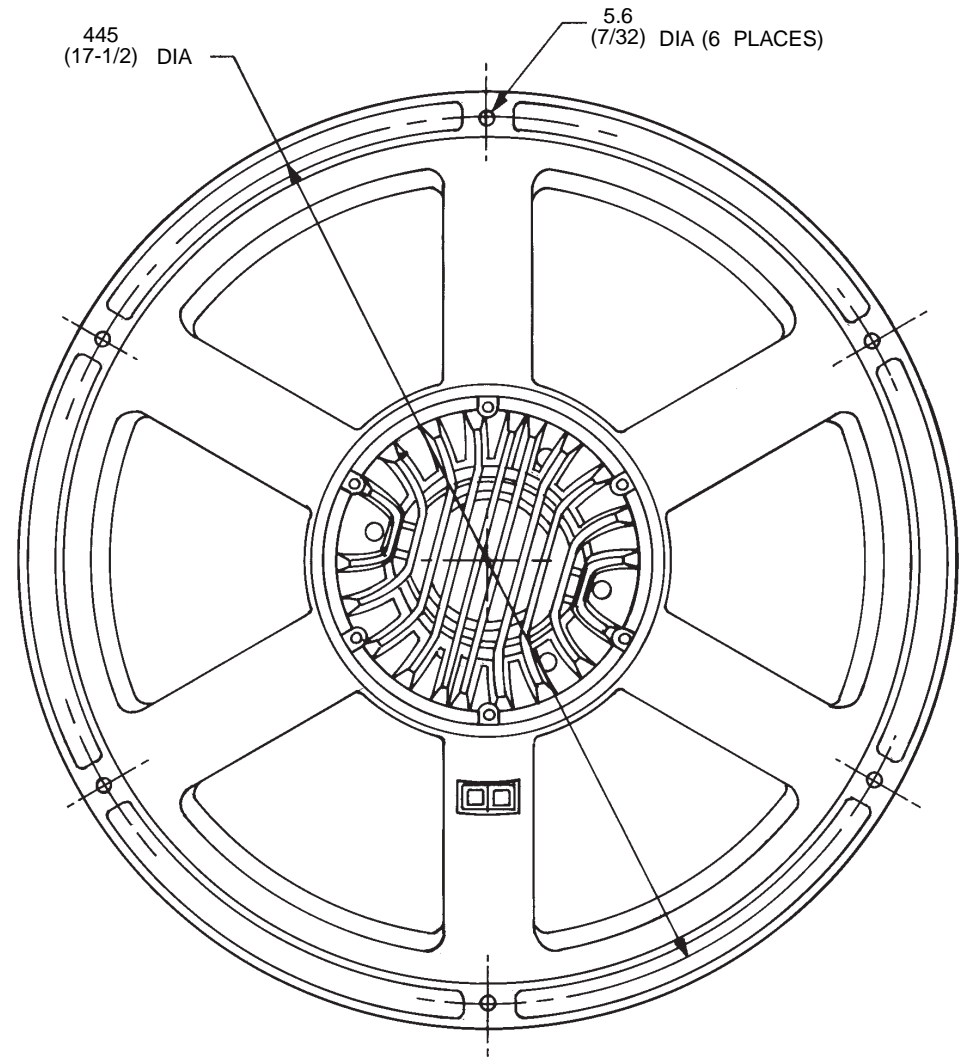
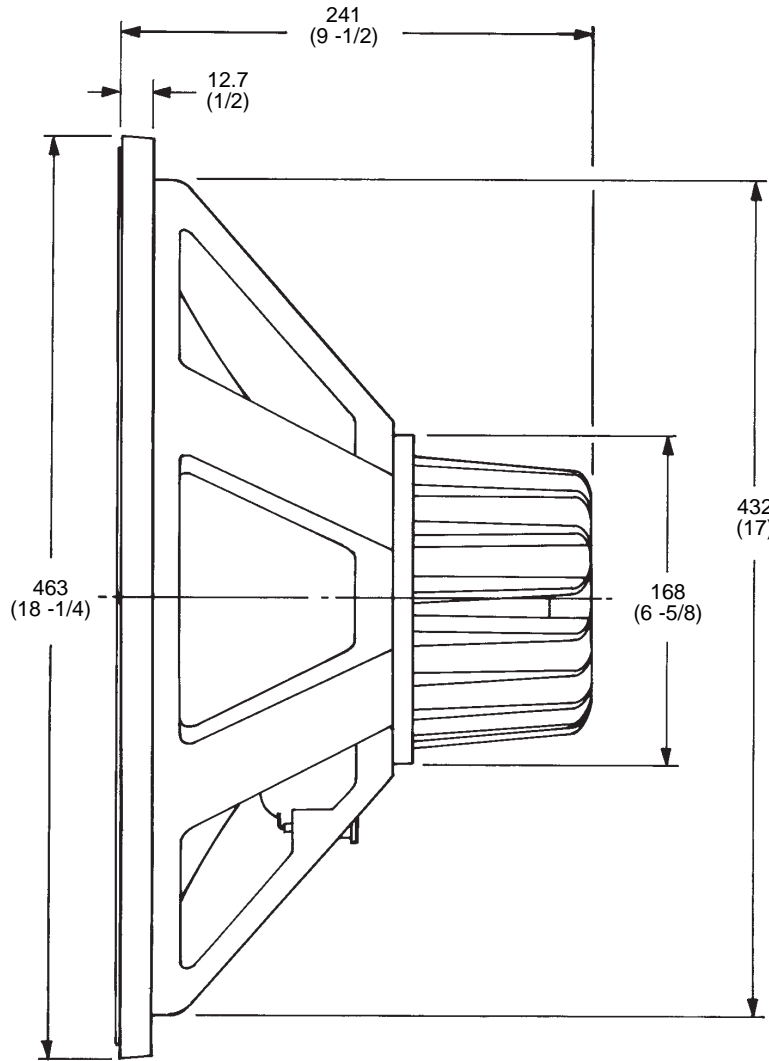


JBL 2258HPL/-1 REV B

# JBL 2258HPL

THESE DRAWINGS AND SPECIFICATIONS ARE THE PROPERTY OF JBL INCORPORATED. THEY ARE ISSUED IN STRICT CONFIDENCE AND SHALL NOT BE REPRODUCED, COPIED, OR USED AS THE BASIS FOR MANUFACTURE OR SALE OF APPARATUS WITHOUT WRITTEN PERMISSION.

## MECHANICAL DRAWING



NOTE: ALL DIMENSIONS ARE REF. ONLY  
DIMENSIONS IN ( ) ARE IN INCHES

JBL 2258HPL/-1