

# Technical Manual

# JBL2241G/H

## SPECIFICATIONS



### ACOUSTIC & ELECTRICAL SPECIFICATIONS:

- Nominal Impedance: 4 ohm (G) / 8 ohm (H)
- Power Capacity: 600W Continuous Pink Noise
- Frequency Range: 30 Hz to 3 kHz
- Sensitivity: 98 dB SPL\*
- Crossover Frequencies: N/A

### SYSTEM COMPONENTS:

- Cabinet: N/A
- Grille: N/A
- Low Frequency Transducer: 460mm (18 in.) Cone Transducer (2241G/H)
- DC Resistance: 2.5 ohm  $\pm$ 10% Aluminum Wire (G)  
5.0 ohm  $\pm$ 10% Aluminum Wire (H)

### AURAL SWEEP TEST SPECIFICATIONS:

- A. L.F. Aural Sweep Test: 7.0V Input, 20 Hz to 1.2 kHz (G)
- L.F. Aural Sweep Test: 10.0V Input, 20 Hz to 1.2 kHz (H)

### PHYSICAL SPECIFICATIONS:

- Enclosure Dimensions: 464mm x 464mm x 187mm D  
(18.25 x 18.25 x 7.375 in. D)
- Shipping Weight: 25.5 lbs. (11.6 kg)

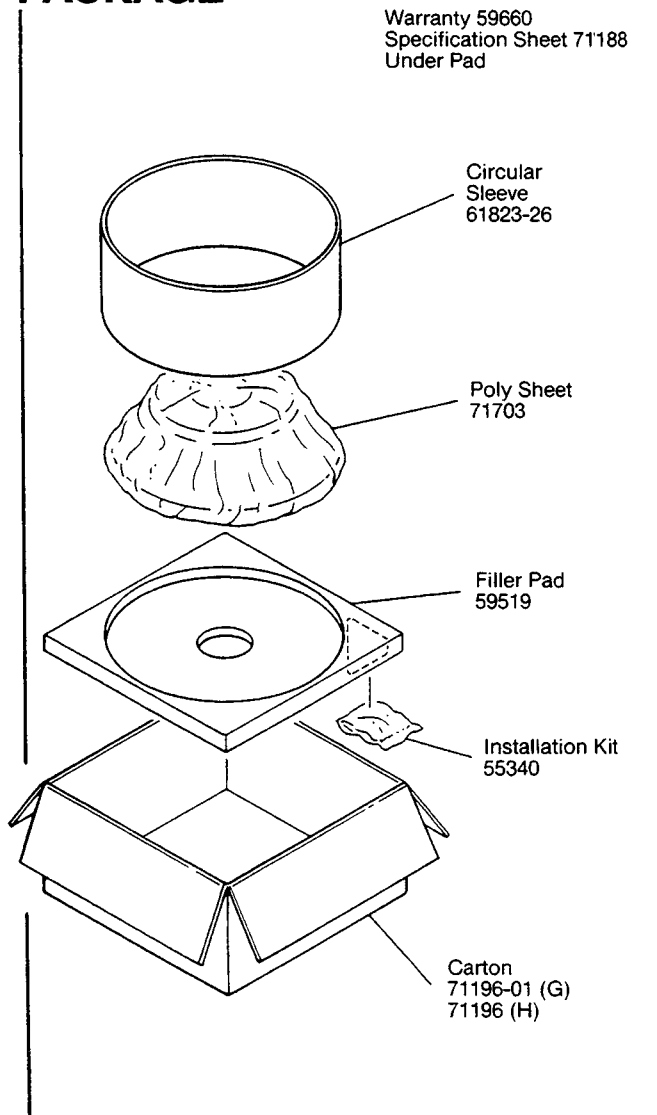
### WARRANTY INFORMATION:

- Refer to the Warranty Statement packed with each product.

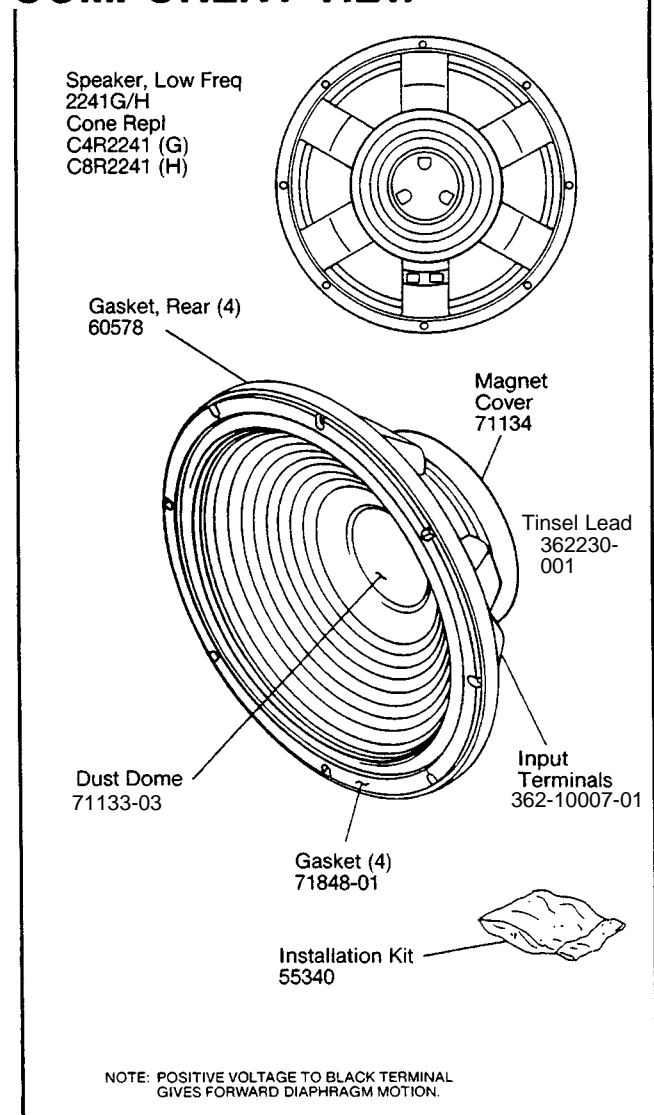
\*1 Watt (2.0 V RMS) @ 1 Meter (G)

\*1 Watt (2.83 V RMS) @ 1 Meter (H)

## PACKAGE



## COMPONENT VIEW

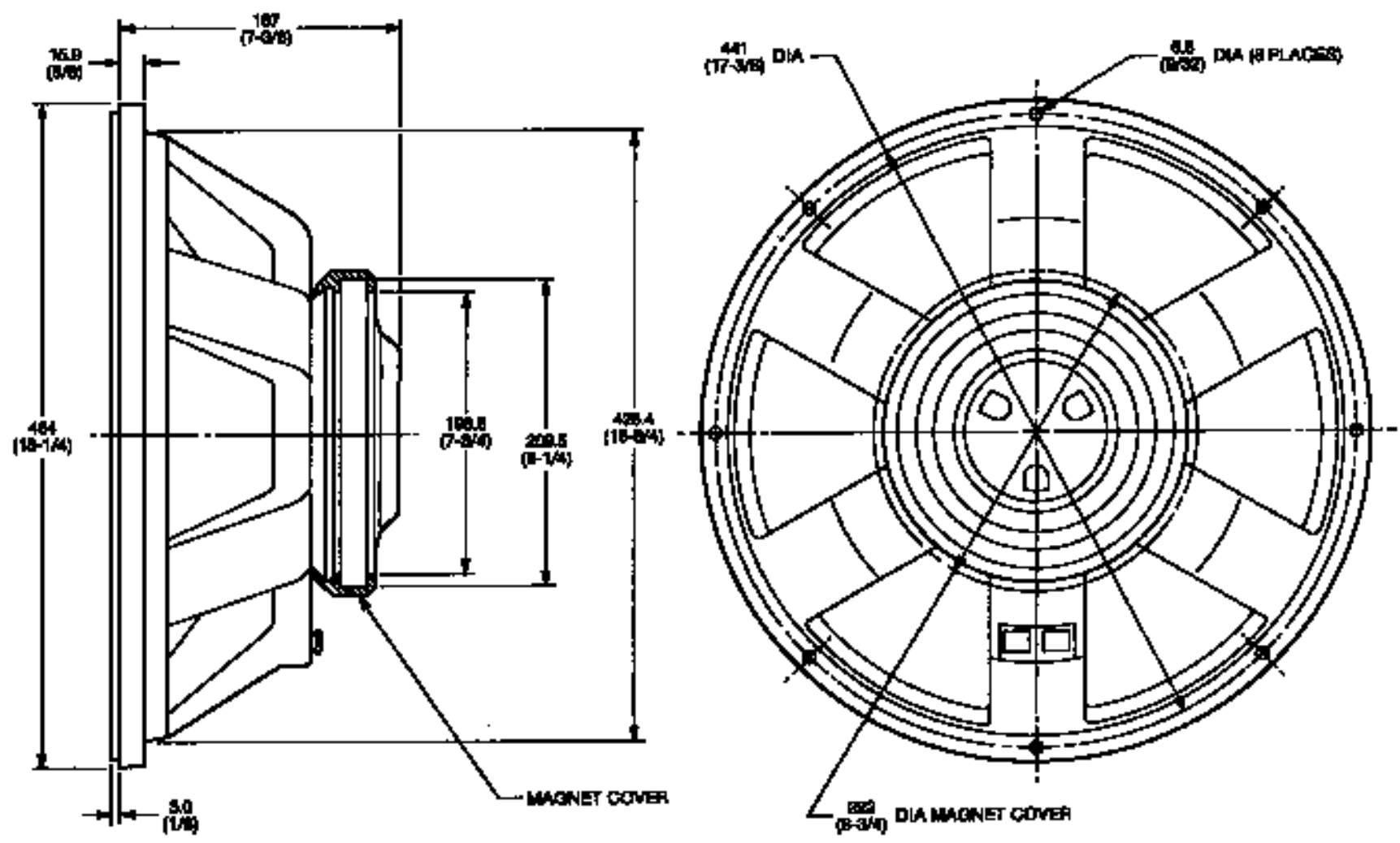


JBL2241G/H REV G

# JBL2241G/H

THIS DRAWING IS THE PROPERTY OF JBL CORPORATION. IT IS TO BE USED FOR THE DESIGN AND CONSTRUCTION OF THE PRODUCT SPECIFIED HEREIN. IT IS NOT TO BE REPRODUCED OR TRANSMITTED IN ANY FORM OR BY ANY MEANS, ELECTRONIC OR MECHANICAL, INCLUDING PHOTOCOPYING, RECORDING, OR BY ANY INFORMATION STORAGE AND RETRIEVAL SYSTEM, WITHOUT THE WRITTEN PERMISSION OF JBL CORPORATION.

## MECHANICAL DRAWING



ALL DIMENSIONS ARE REF. ONLY  
NOTE: DIMENSIONS IN ( ) ARE IN INCHES