

# Technical Manual

# JBL2206H/J

## SPECIFICATIONS



### ACOUSTIC & ELECTRICAL SPECIFICATIONS:

- Nominal Impedance: 8 ohm
- Power Capacity: 600W Continuous Pink Noise
- Frequency Range: 45 Hz to 3.5 kHz
- Sensitivity: 95 dB SPL\*
- Crossover Frequencies: N/A

### SYSTEM COMPONENTS:

- Cabinet: N/A
- Grille: N/A
- Low Frequency Transducer: 300mm (12 in.) Cone Transducer (2206H)
- DC Resistance: 5.3 ohm  $\pm$ 10% Aluminum Wire (H)  
9.3 ohm  $\pm$ 10% Aluminum Wire (J)

### AURAL SWEEP TEST SPECIFICATIONS:

- A. L.F. Aural Sweep Test: 10.0V Input, 20 Hz to 3.5 kHz

### PHYSICAL SPECIFICATIONS:

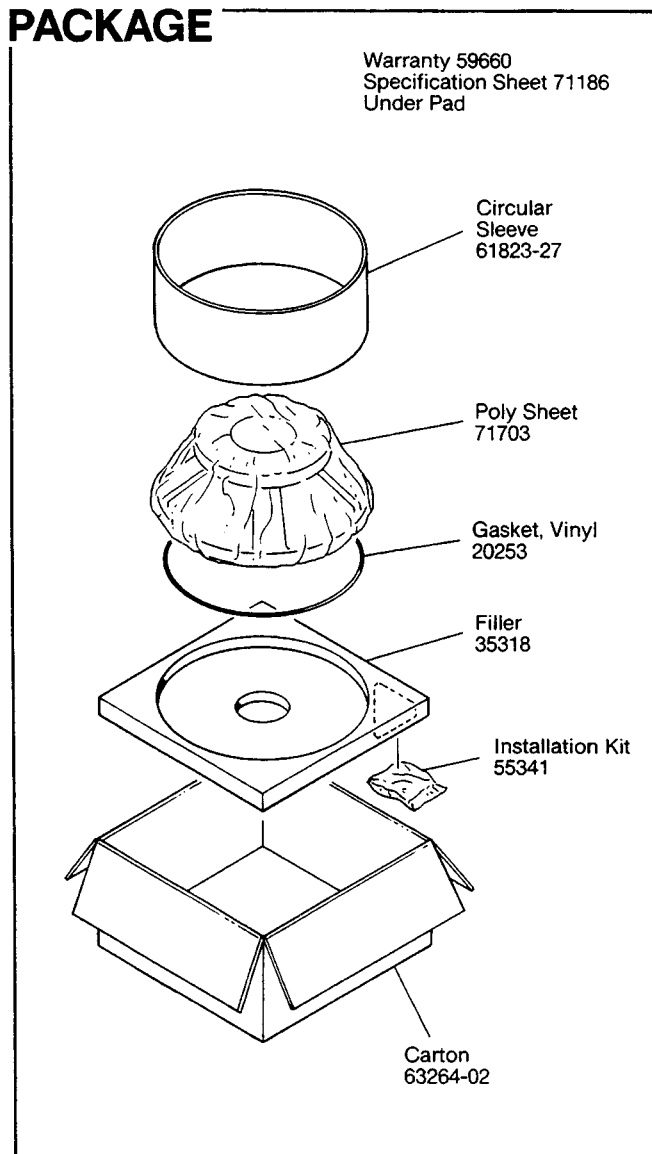
- Enclosure Dimensions: 311mm x 311mm x 127mm D  
(12.25 x 12.25 x 5.0 in. D)
- Shipping Weight: 18.5 lbs. (8.4 kg)

### WARRANTY INFORMATION:

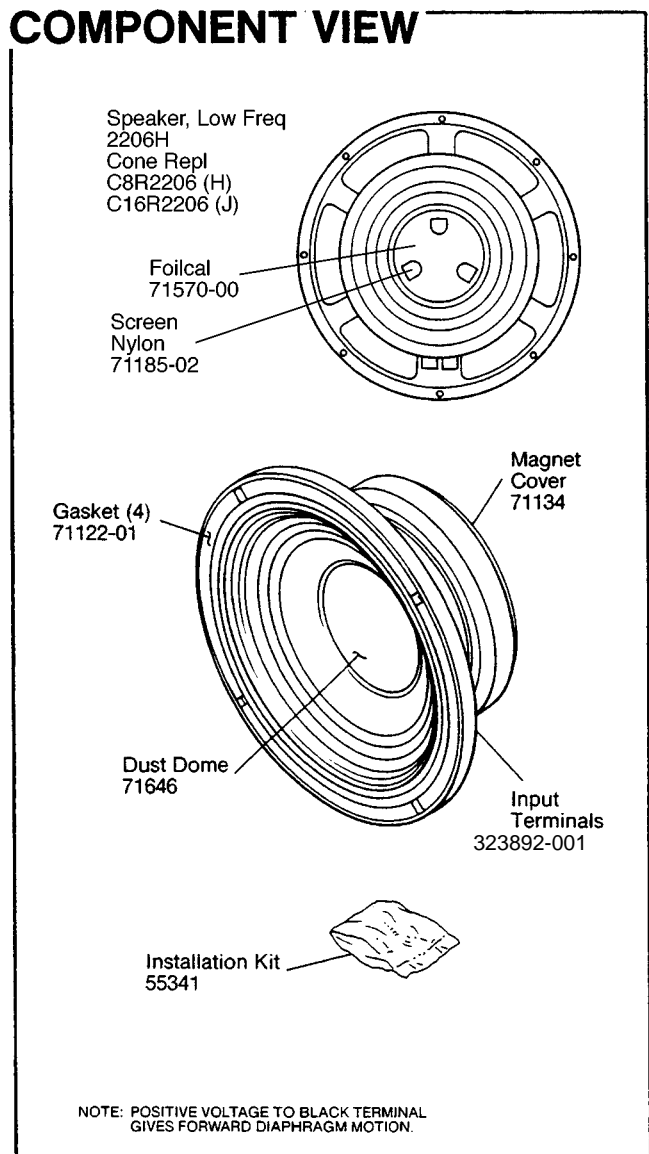
- Refer to the Warranty Statement packed with each product.

\*1 Watt (2.83 V RMS) @ 1 Meter

## PACKAGE



## COMPONENT VIEW

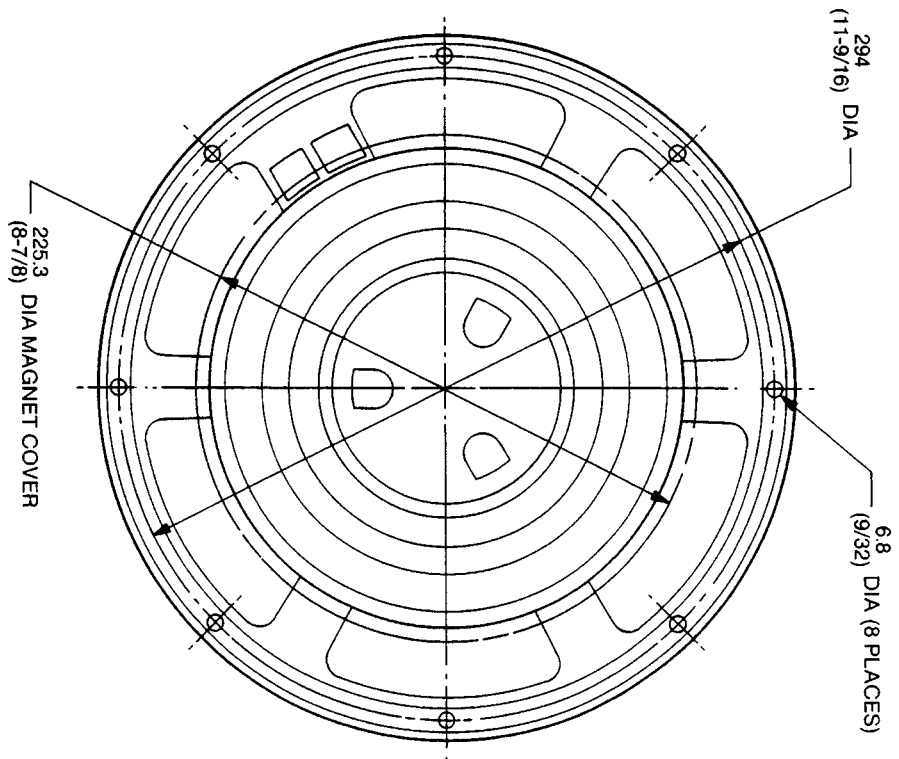
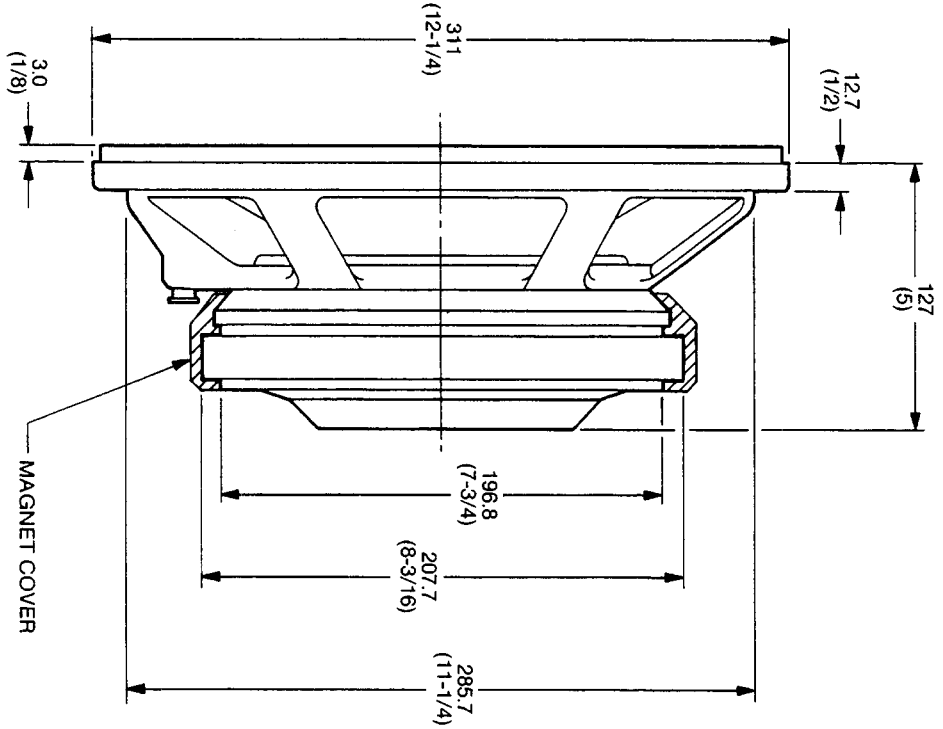


JBL2206H/J REV E

# JBL2206H/J

THESE DRAWINGS AND SPECIFICATIONS ARE THE PROPERTY OF JBL CORPORATION. THEY ARE ISSUED WITHOUT WARRANTY AND SHALL BE RETURNED TO JBL CORPORATION UPON REQUEST. NO REPRODUCTION OR SALE OF APPARATUS WITHOUT WRITTEN PERMISSION.

## MECHANICAL DRAWING



ALL DIMENSIONS ARE REF. ONLY  
NOTE: DIMENSIONS IN ( ) ARE IN INCHES

JBL2206H/J