

DRAWING NUMBER ISSUE
688SB 1

JBL Professional
 8500 Balboa Blvd.
 Northridge, CA 91329
 tel: (818) 894-8850
 fax: (818) 891-9619

TITLE: PROGRAMMEABLE FREQUENCY DIVIDER FRONT PANEL BOARD
 SHT 1 of 1

FILENAME: 688SBP.SCH

DRAWN: Lam

DATE: 17-10-95

CHECKED: 

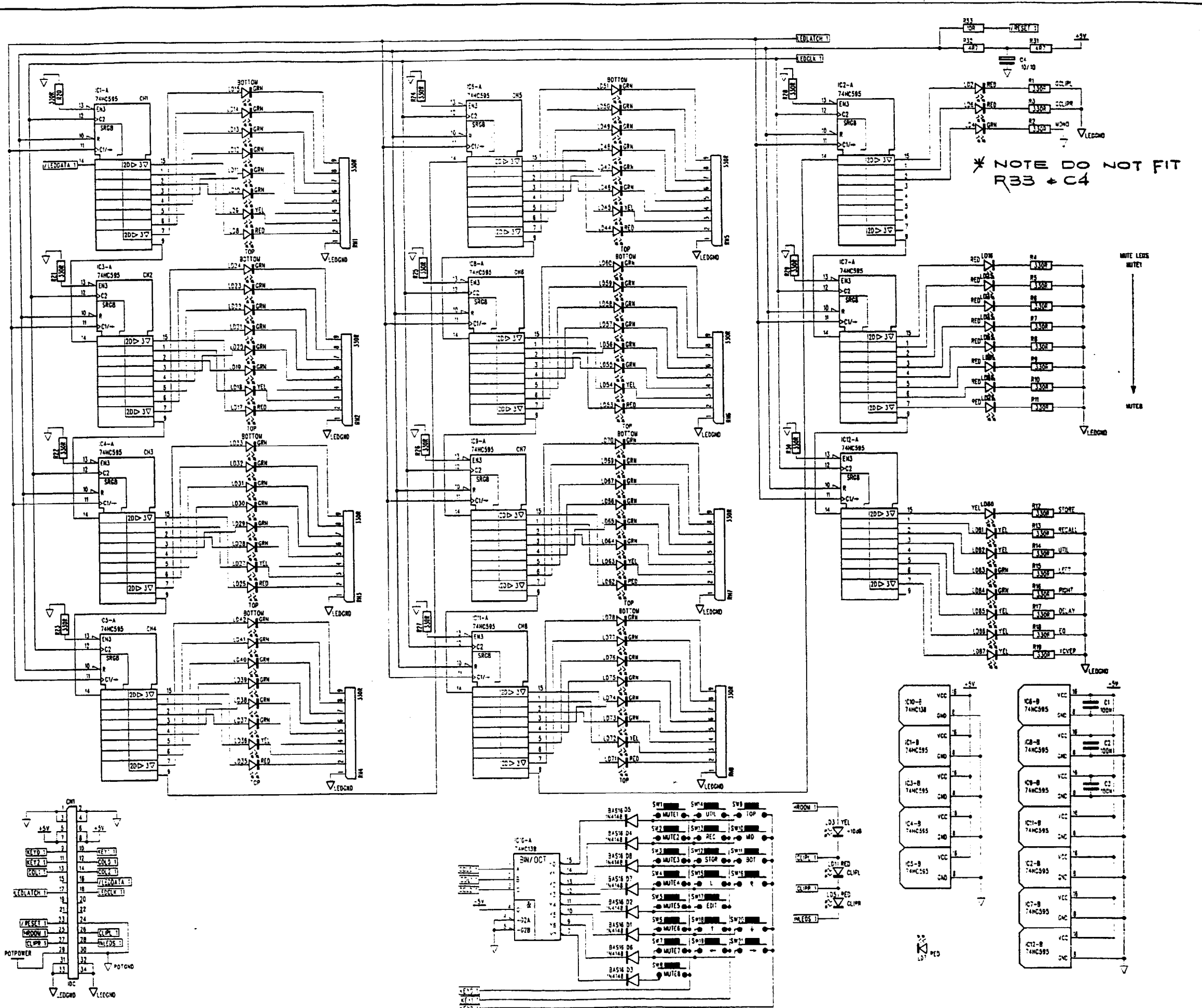
MATERIAL:

FINISH:

ISSUE COMMENTS:

PART NUMBER:

THIS DRAWING IS THE COPYRIGHT OF BSS Audio Ltd. ALL REPRODUCTION AND COPYING, OTHER THAN THAT FOR LICENSED MANUFACTURERS OWN INTERNAL USE, OR DISCLOSURE OF PART OR WHOLE TO A THIRD PARTY WITHOUT PRIOR WRITTEN AUTHORISATION IS IN VIOLATION OF THE COPYRIGHT. © BSS Audio Ltd 1994



DRAWING NUMBER

ISSUE

388SC

3A



JBL Professional
8500 Balboa Blvd.
Northridge, CA 91329
tel: (818) 894-8850
fax: (818) 891-9619

TITLE: 388 ADC BOARD

FILENAME: 388SC3A.SCH

DRAWN BY: Lam/TJR

DATE: 13-10-95

CHECKED:

LAYERS: SHT 1 of 1

ISSUE DETAILS

3A. ECN5710 - C30,57 WERE 220/10

DIMENSIONS:

MATERIALS:

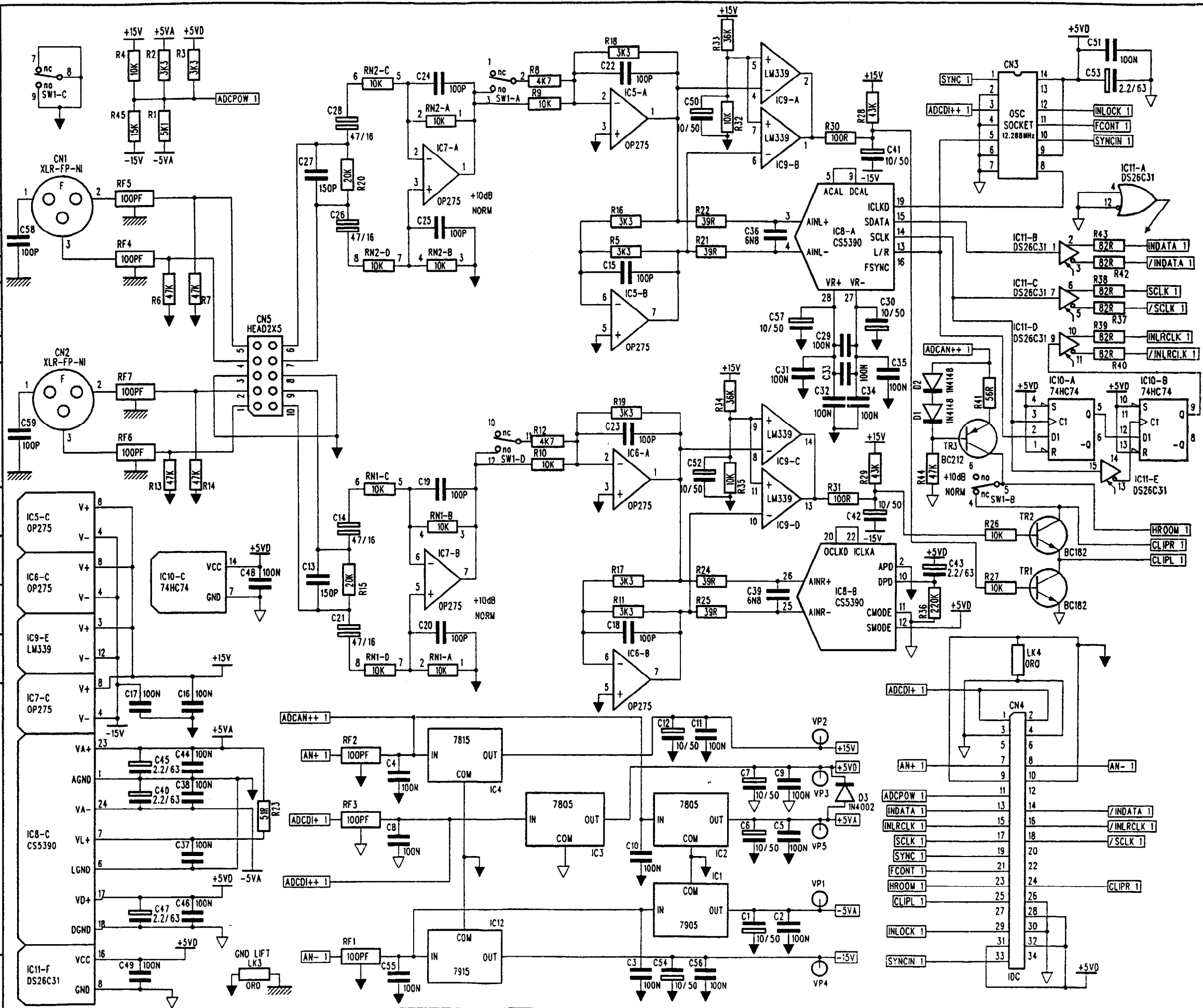
FINISH:

ARTWORK:

NOTES

1. OP275'S WERE NE5532'S

THIS DRAWING IS THE COPYRIGHT OF BSS Audio Ltd. ALL REPRODUCTION AND COPYING, OTHER THAN THAT FOR LICENCED MANUFACTURES OWN INTERNAL USE, OR DISCLOSURE OF PART OR WHOLE TO A THIRD PARTY WITHOUT PRIOR WRITTEN AUTHORISATION IS IN VIOLATION OF THE COPYRIGHT. © BSS Audio Ltd 1995



DRAWING NUMBER ISSUE
388SA 4

JBL Professional
 8500 Balboa Blvd.
 Northridge, CA 91329
 tel: (818) 894-8850
 fax: (818) 891-9619

TITLE: 388S DSP MAIN BOARD

SHEET 1 of 3

FILENAME: 388SA4.SCH

DRAWN: PSB/TJR

DATE: 03-07-95

CHECKED: *[Signature]*

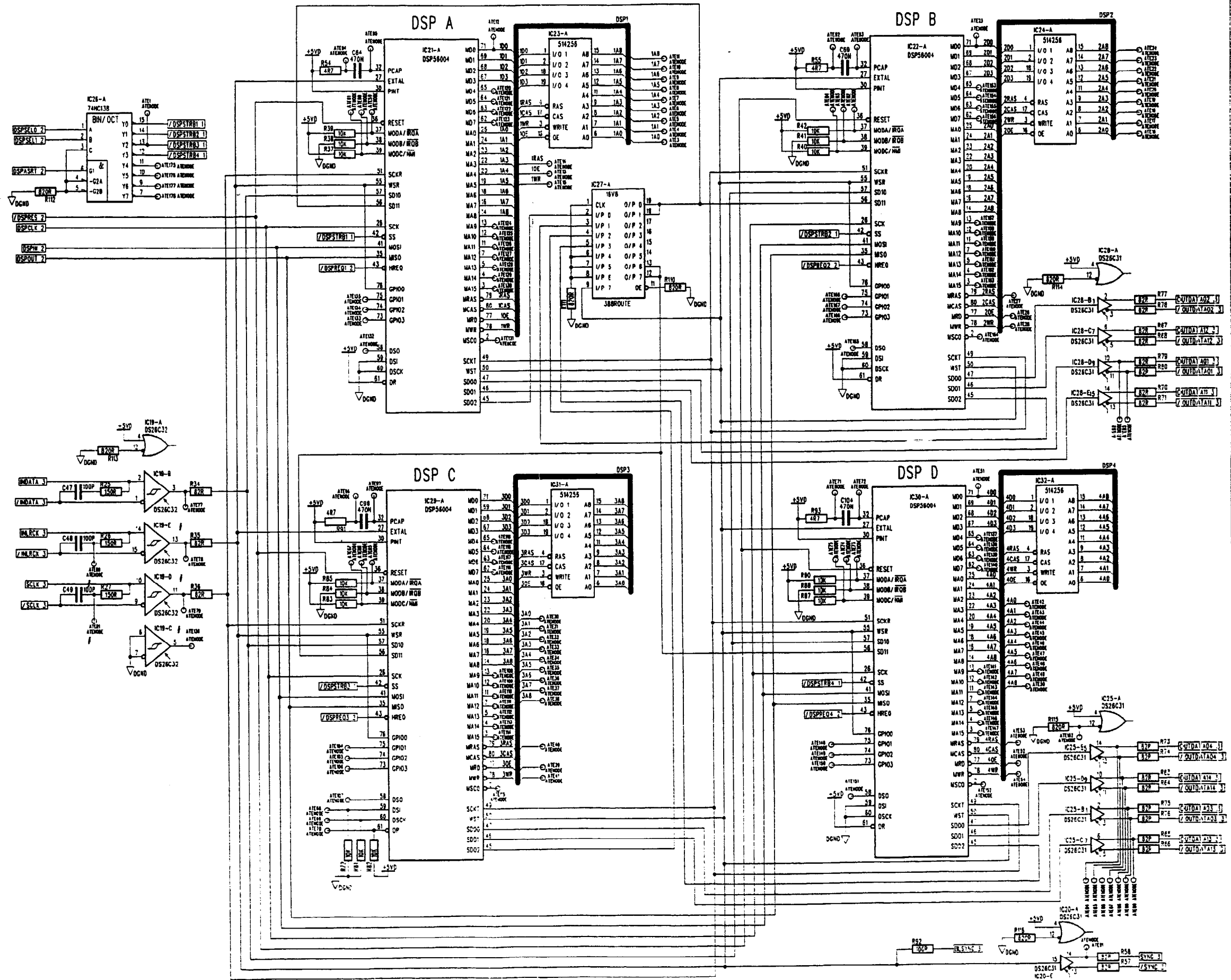
MATERIAL:

FINISH:

ISSUE COMMENTS:

PART NUMBER:

THIS DRAWING IS THE COPYRIGHT OF BSS Audio Ltd. ALL REPRODUCTION AND COPYING, OTHER THAN THAT FOR LICENCED MANUFACTURERS OWN INTERNAL USE, OR DISCLOSURE OF PART OR WHOLE TO A THIRD PARTY WITHOUT PRIOR WRITTEN AUTHORISATION IS IN VIOLATION OF THE COPYRIGHT.
 © BSS Audio Ltd 1994



DRAWING NUMBER ISSUE

388SD 3

JBL Professional
 8500 Balboa Blvd.
 Northridge, CA 91329
 tel: (818) 894-8850
 fax: (818) 891-9619

TITLE: PSU BOARD

FILENAME: 388SD3.SCH

DRAWN BY: PSB/Lam

DATE: 17-03-95

CHECKED: *Mike*

LAYERS: SHEET 1 of 1

ISSUE DETAILS

DIMENSIONS:

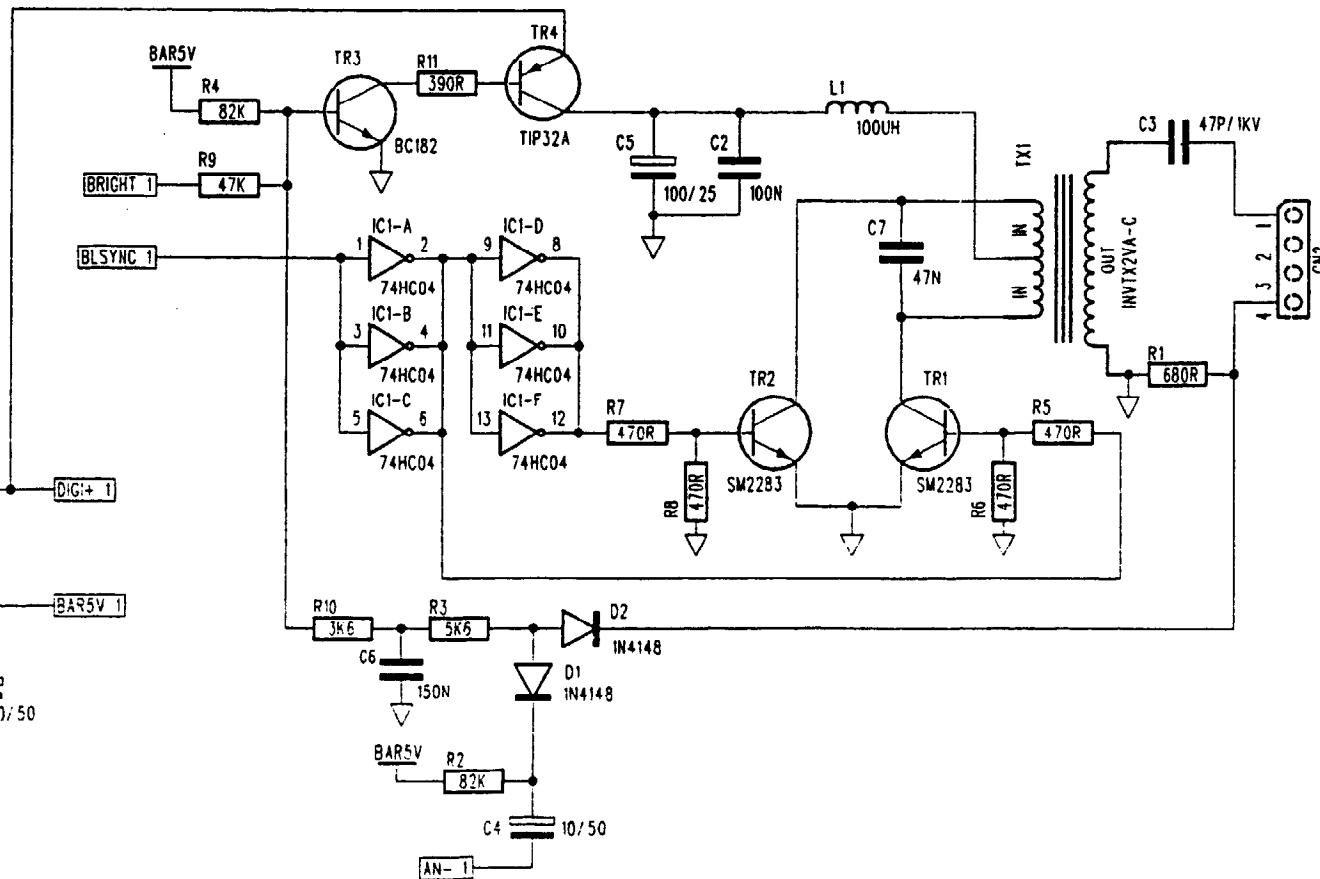
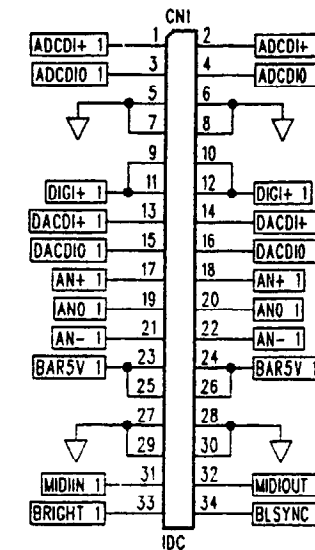
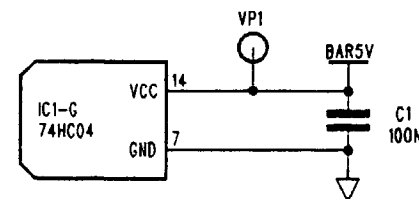
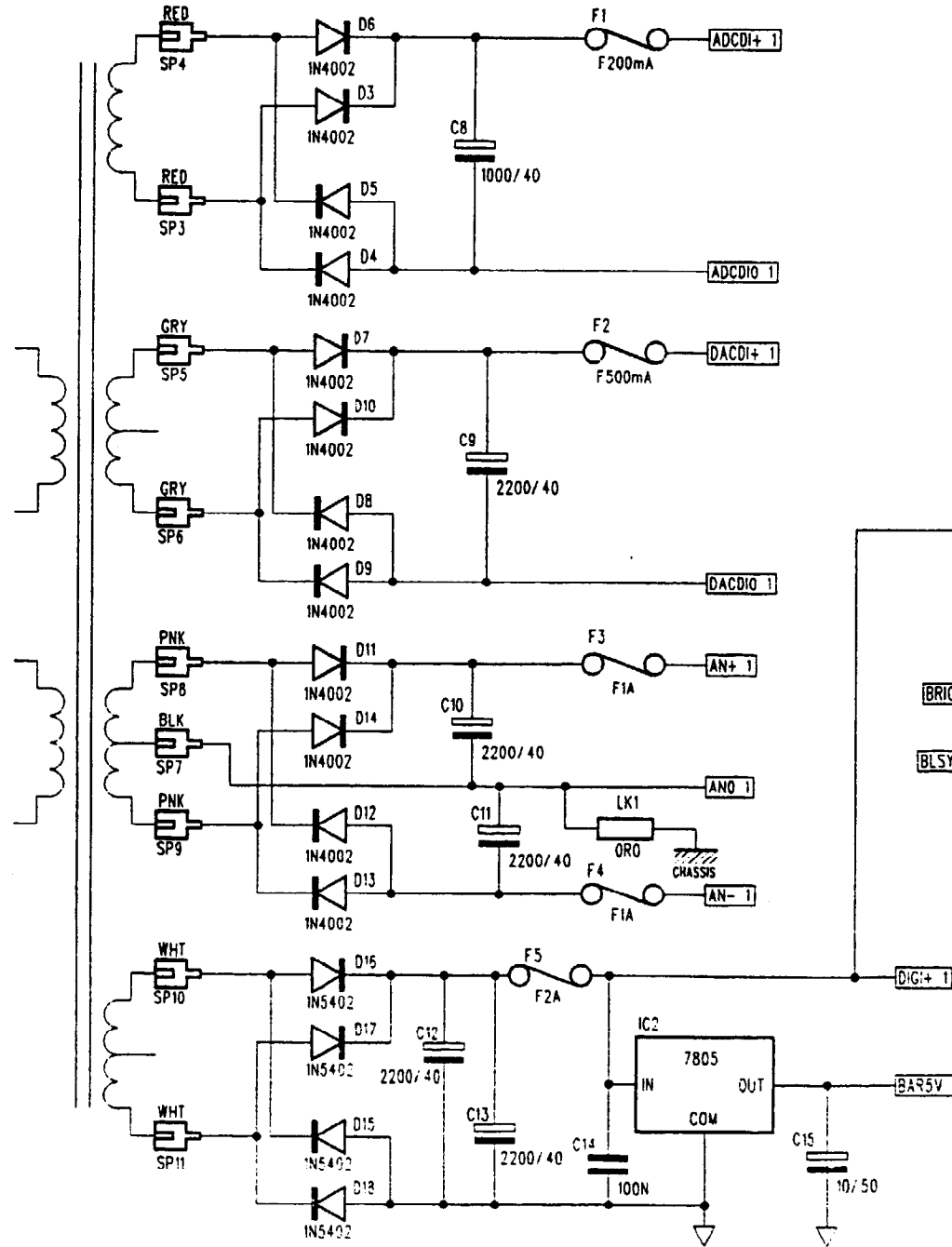
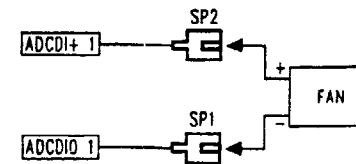
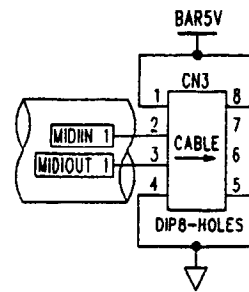
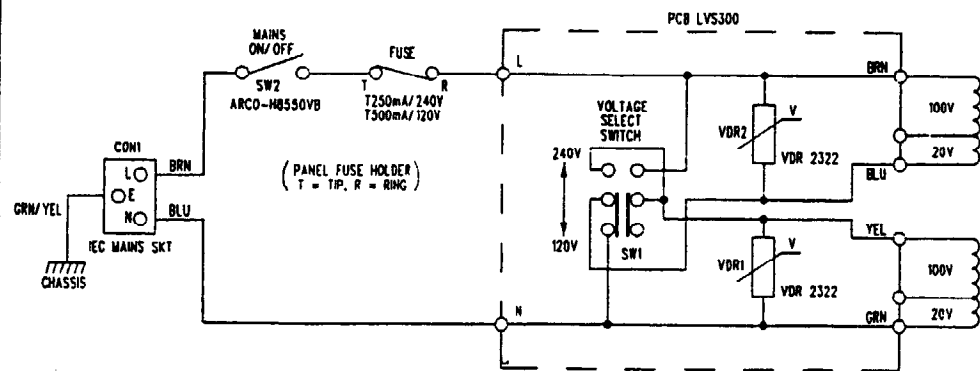
MATERIALS:

FINISH:

ARTWORK:

NOTES

THIS DRAWING IS THE COPYRIGHT OF BSS Audio Ltd. ALL REPRODUCTION AND COPYING, OTHER THAN THAT FOR LICENCED MANUFACTURERS OWN INTERNAL USE, OR DISCLOSURE OF PART OR WHOLE TO A THIRD PARTY WITHOUT PRIOR WRITTEN AUTHORISATION IS IN VIOLATION OF THE COPYRIGHT. © BSS Audio Ltd 1994



DRAWING NUMBER ISSUE
388SE **3**

JBL Professional
 8500 Balboa Blvd.
 Northridge, CA 91329
 tel: (818) 894-8850
 fax: (818) 891-9619

TITLE: DAC BOARD

SHEET 3 of 4

FILENAME: 388SE3.SCH

DRAWN: PSB/TJR

DATE: 10-07-95

CHECKED: Mike

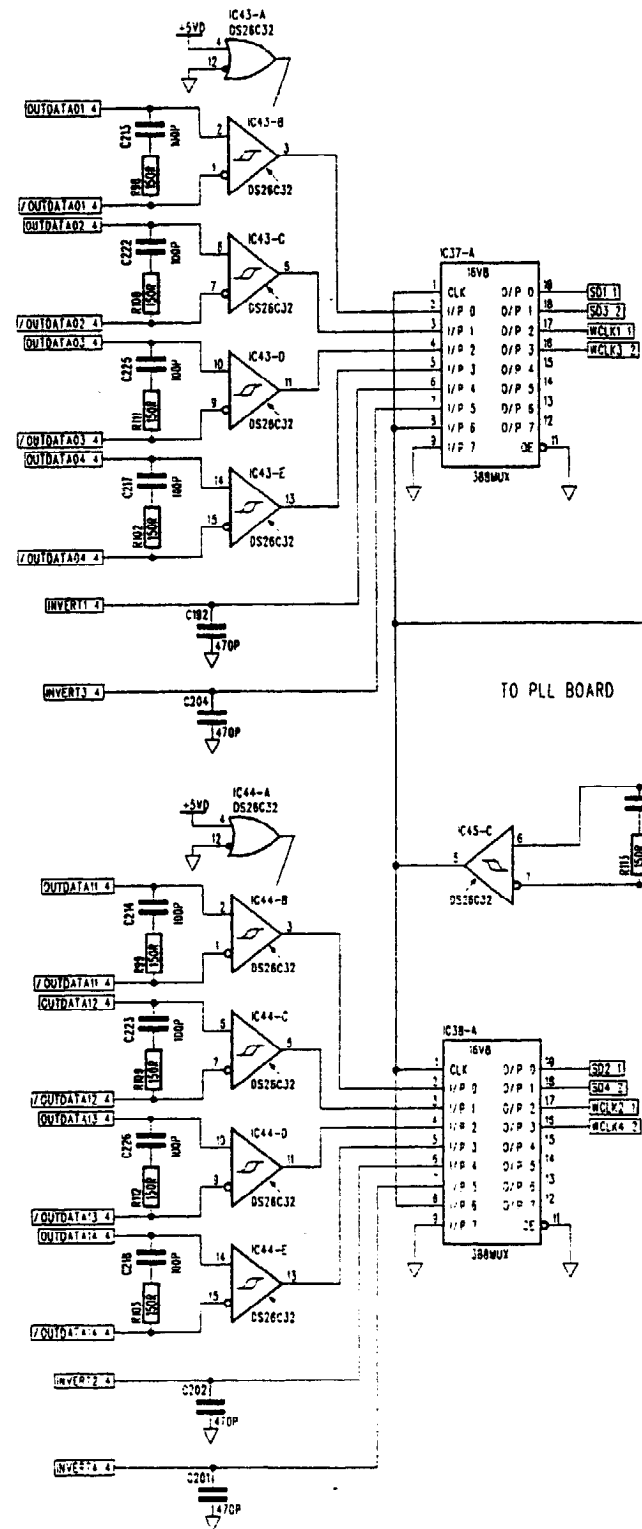
MATERIAL:

FINISH:

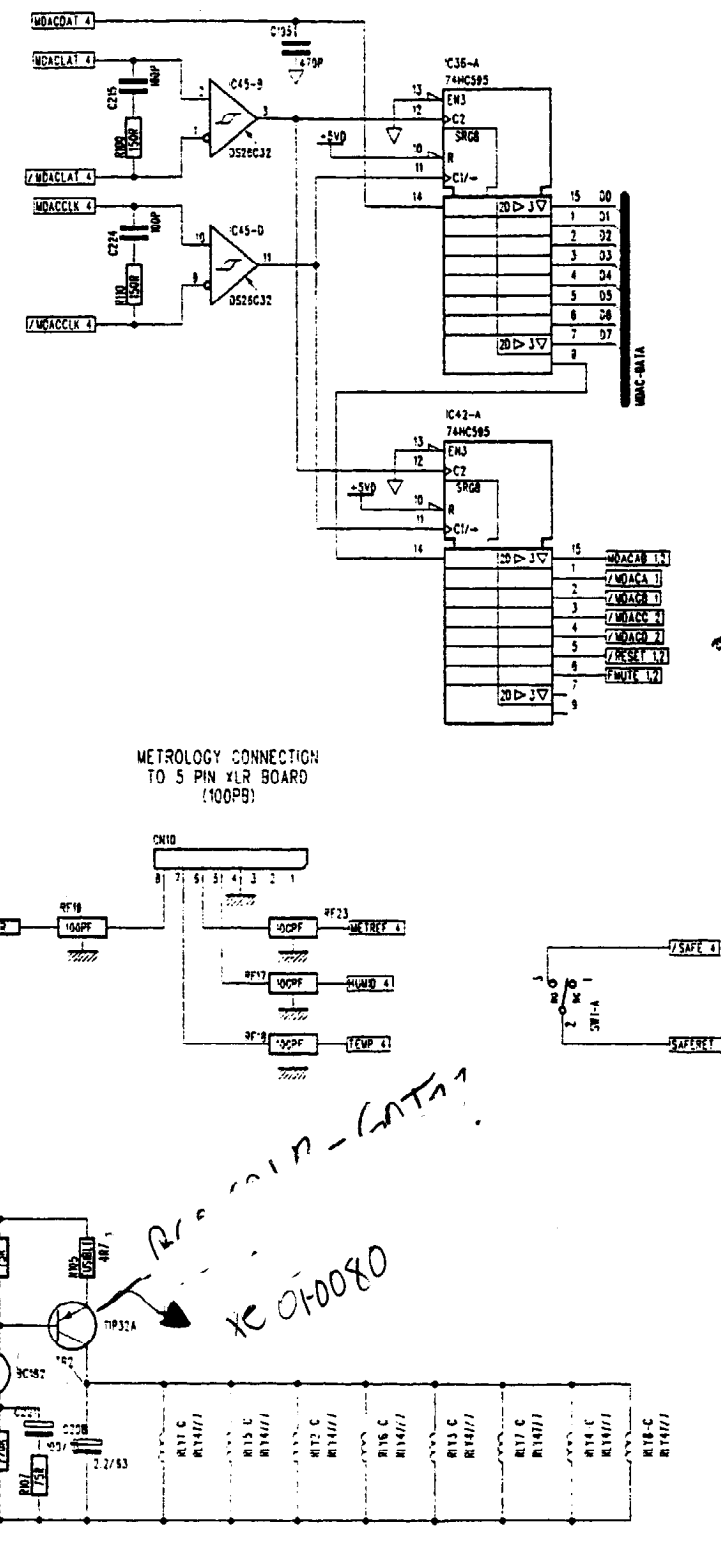
ISSUE COMMENTS:

PART NUMBER:

THIS DRAWING IS THE COPYRIGHT OF BSS Audio Ltd. ALL REPRODUCTION AND COPYING, OTHER THAN THAT FOR LICENCED MANUFACTURERS OWN INTERNAL USE OR DISCLOSURE OF PART OR WHOLE TO A THIRD PARTY WITHOUT PRIOR WRITTEN AUTHORISATION IS IN VIOLATION OF THE COPYRIGHT. © BSS Audio Ltd 1994

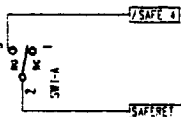


XE01-0020



METROLOGY CONNECTION TO 5 PIN XLR BOARD (100PB)

REVISION - GATE
 XE01-0080



DRAWING NUMBER
388SE

ISSUE
3

JBL Professional
8500 Balboa Blvd.
Northridge, CA 91329
tel: (818) 894-8850
fax: (818) 891-9619

TITLE: DAC BOARD

SHEET 2 of 4

FILENAME: 388SE3.SCH

DRAWN: PSB/TJR

DATE: 10-07-95

CHECKED:

Mike

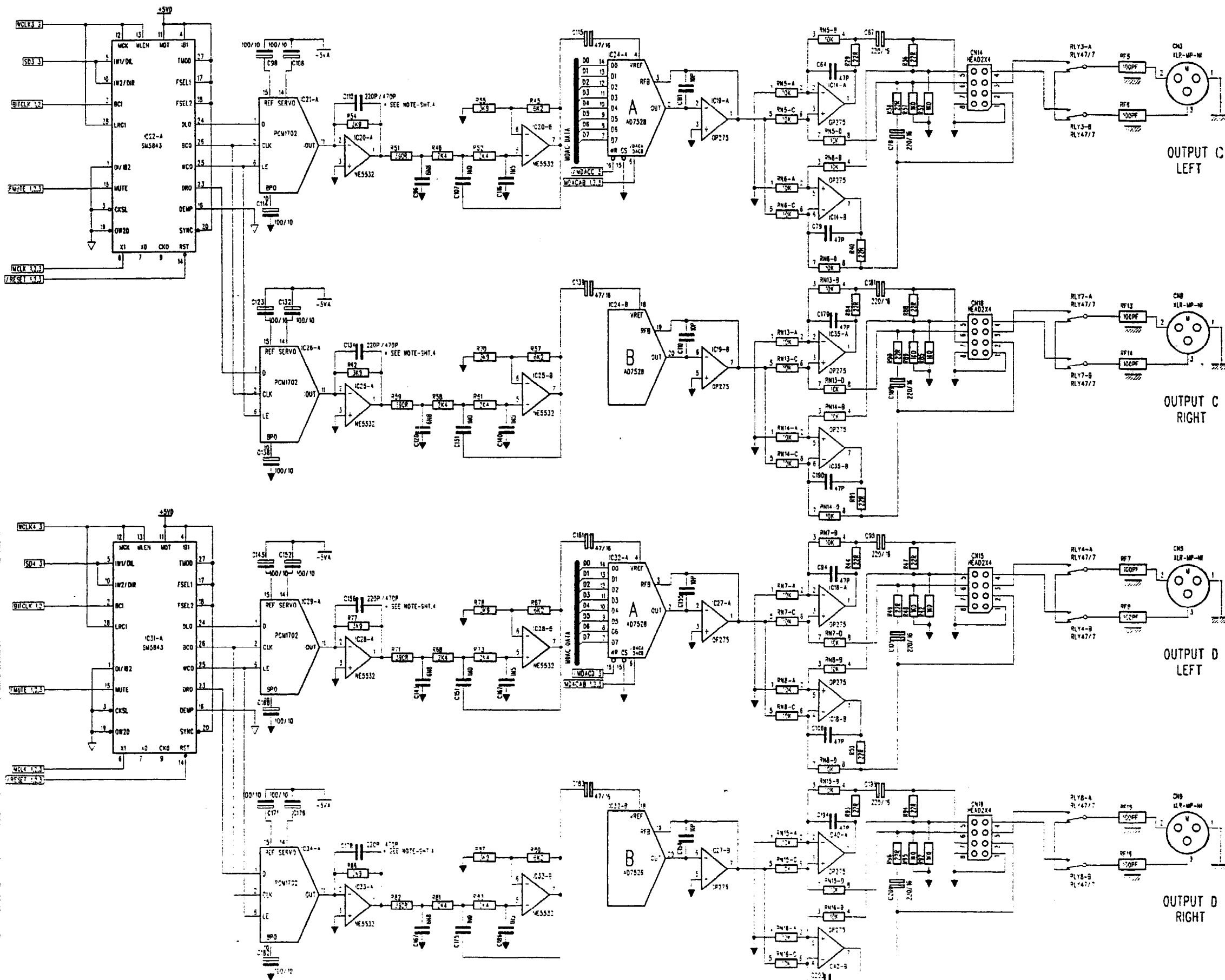
MATERIAL:

FINISH:

ISSUE COMMENTS:

PART NUMBER:

THIS DRAWING IS THE COPYRIGHT OF BSS Audio Ltd. ALL REPRODUCTION AND COPYING OTHER THAN THAT FOR LICENCED MANUFACTURERS OWN INTERNAL USE, OR DISCLOSURE OF PART OR WHOLE TO A THIRD PARTY WITHOUT PRIOR WRITTEN AUTHORIZATION IS IN VIOLATION OF THE COPYRIGHT.
© BSS Audio Ltd 1994



DRAWING NUMBER
388SE
ISSUE
3

JBL Professional
8500 Balboa Blvd.
Northridge, CA 91329
tel: (818) 894-8850
fax: (818) 891-9619

TITLE: DAC BOARD

SHEET 1 of 4

FILENAME: 388SE3.SCH

DRAWN: PSB/TJR

DATE: 10-07-95

CHECKED: *Mike*

MATERIAL:

FINISH:

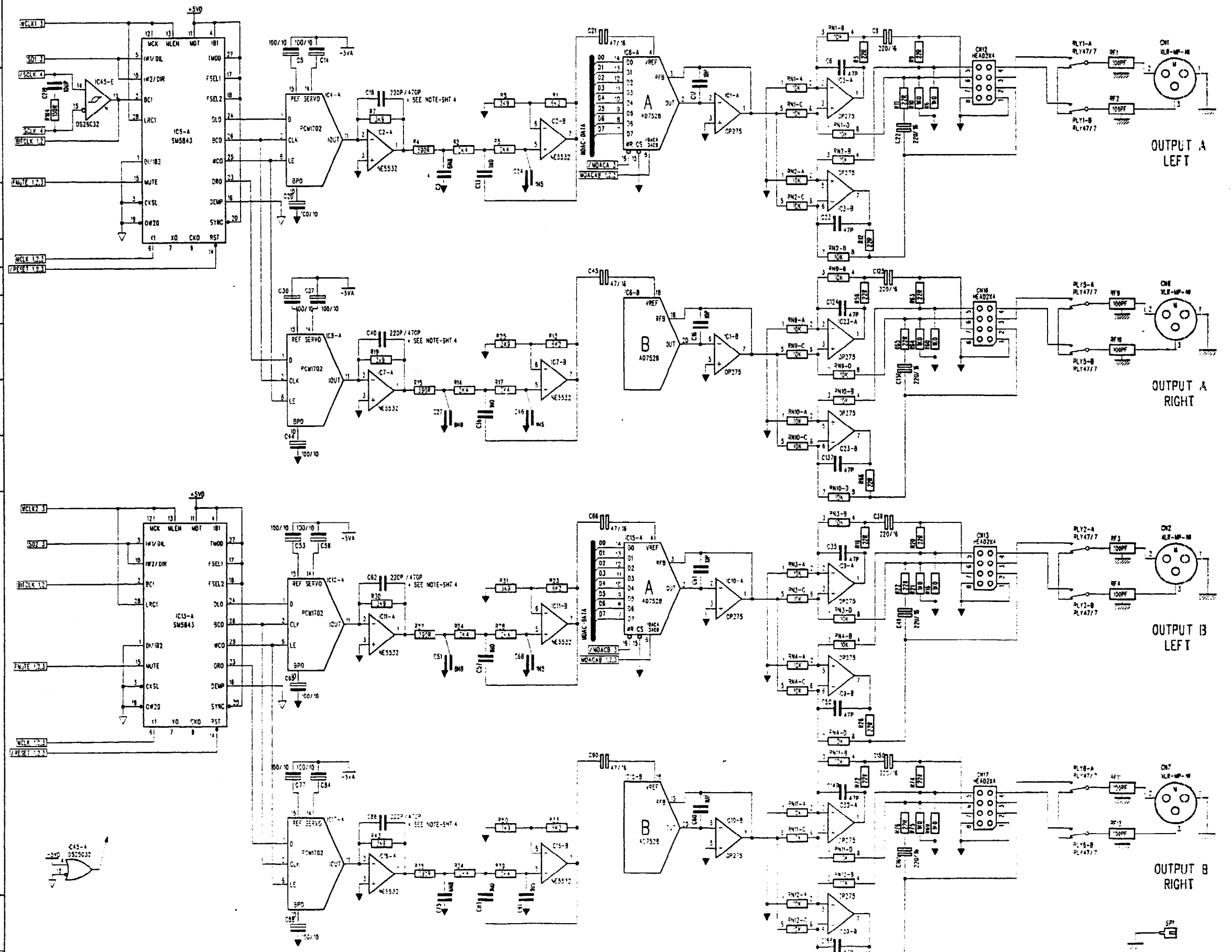
ISSUE COMMENTS:

ISSUE 2a. SEE DCN1533
ON "OUTPUT A LEFT"
R9 & 11 WERE 47R
R6 & 10 WERE 2K
TYPICAL ON ALL CHANNELS

ISSUE 2b. SEE ECN 5659
C18,40,62,86,112,134,156 & 178
VALUE TO BE 470P WHEN ASSEMBLED
FOR LMS 700.

PART NUMBER:

THIS DRAWING IS THE COPYRIGHT OF BSS Audio Ltd. ALL REPRODUCTION
AND COPYING, OTHER THAN THAT FOR LICENSEE MANUFACTURERS OWN
INTERNAL USE, OR DISCLOSURE OF PART OR WHOLE TO A THIRD PARTY
WITHOUT PRIOR WRITTEN AUTHORIZATION IS IN VIOLATION OF THE
COPYRIGHT. © BSS Audio Ltd 1994



DRAWING NUMBER **388SH** ISSUE **2**

JBL Professional
 8500 Balboa Blvd.
 Northridge, CA 91329
 tel: (818) 894-8850
 fax: (818) 891-9619

TITLE: MIDI BOARD
 FILENAME: 388PH2.SCH
 DRAWN BY: Lam/TJR
 DATE: 16-08-95
 CHECKED: *[Signature]* 17/8/95.
 LAYERS: SHEET 1 of 1

ISSUE DETAILS
 2. ECN5737 - CN1,CN2 & CN3
 PIN 2 MCHS.

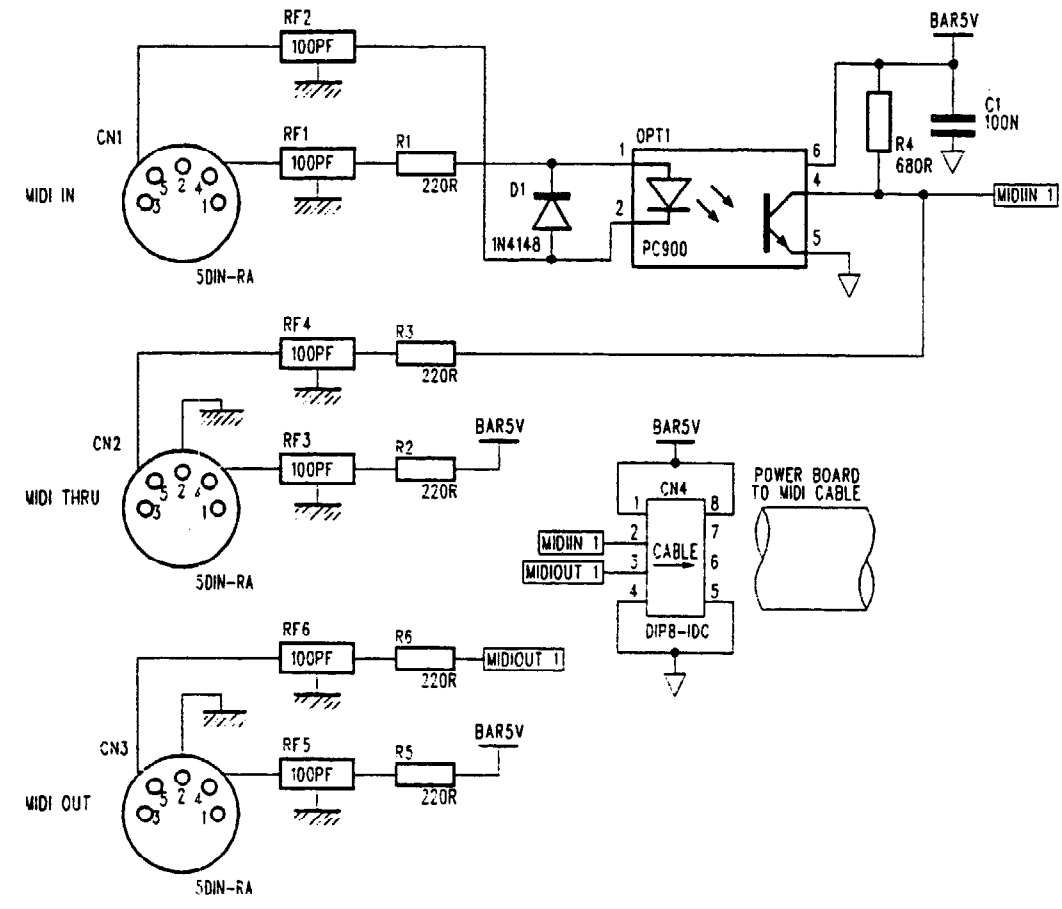
DIMENSIONS :

MATERIALS :

FINISH :

ARTWORK :

NOTES



THIS DRAWING IS THE COPYRIGHT OF BSS Audio Ltd. ALL REPRODUCTION AND COPYING, OTHER THAN THAT FOR LICENCED MANUFACTURERS OWN INTERNAL USE, OR DISCLOSURE OF PART OR WHOLE TO A THIRD PARTY WITHOUT PRIOR WRITTEN AUTHORISATION IS IN VIOLATION OF THE COPYRIGHT. © BSS Audio Ltd 1994

DRAWING NUMBER ISSUE
388SA 4

JBL Professional
 8500 Balboa Blvd.
 Northridge, CA 91329
 tel: (818) 894-8850
 fax: (818) 891-9619

TITLE: 388S DSP MAIN BOARD

SHEET 3 of 3

FILENAME: 388SA4.SCH

DRAWN: PSB/TJR

DATE: 03-07-95

CHECKED: *DP*

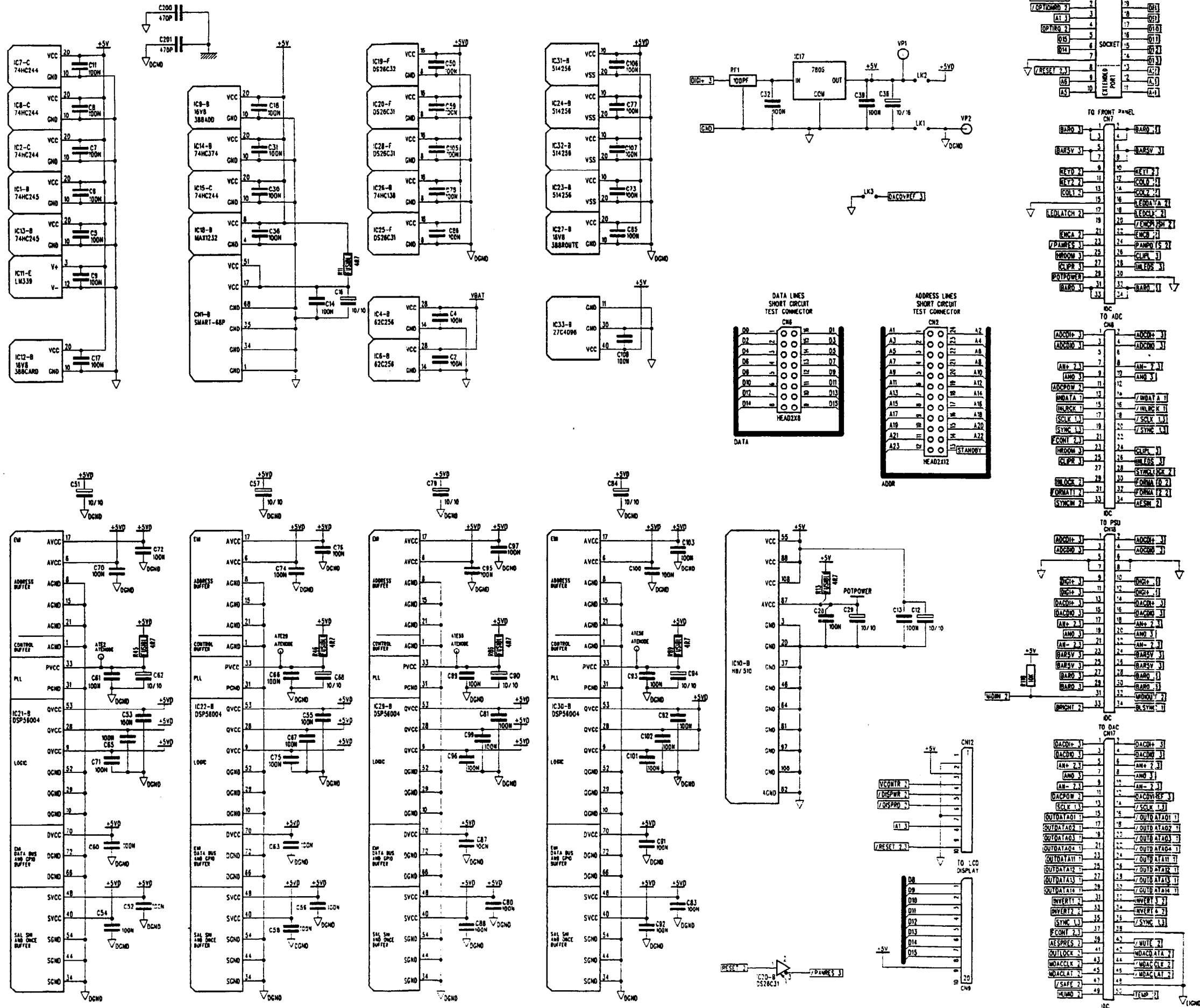
MATERIAL:

FINISH:

ISSUE COMMENTS:

PART NUMBER:

THIS DRAWING IS THE COPYRIGHT OF BSS Audio Ltd. ALL REPRODUCTION AND COPYING, OTHER THAN THAT FOR LICENCED MANUFACTURERS OWN INTERNAL USE, OR DISCLOSURE OF PART OR WHOLE TO A THIRD PARTY WITHOUT PRIOR WRITTEN AUTHORISATION IS IN VIOLATION OF THE COPYRIGHT. © BSS Audio Ltd 1994



DRAWING NUMBER **388SE** ISSUE **3**

JBL Professional
 8500 Balboa Blvd.
 Northridge, CA 91329
 tel: (818) 894-8850
 fax: (818) 891-9619

TITLE: **DAC BOARD**

SHEET 4 of 4

FILENAME: **388SE3.SCH**

DRAWN: **PSB/TJR**

DATE: **10-07-95**

CHECKED: *Mike*

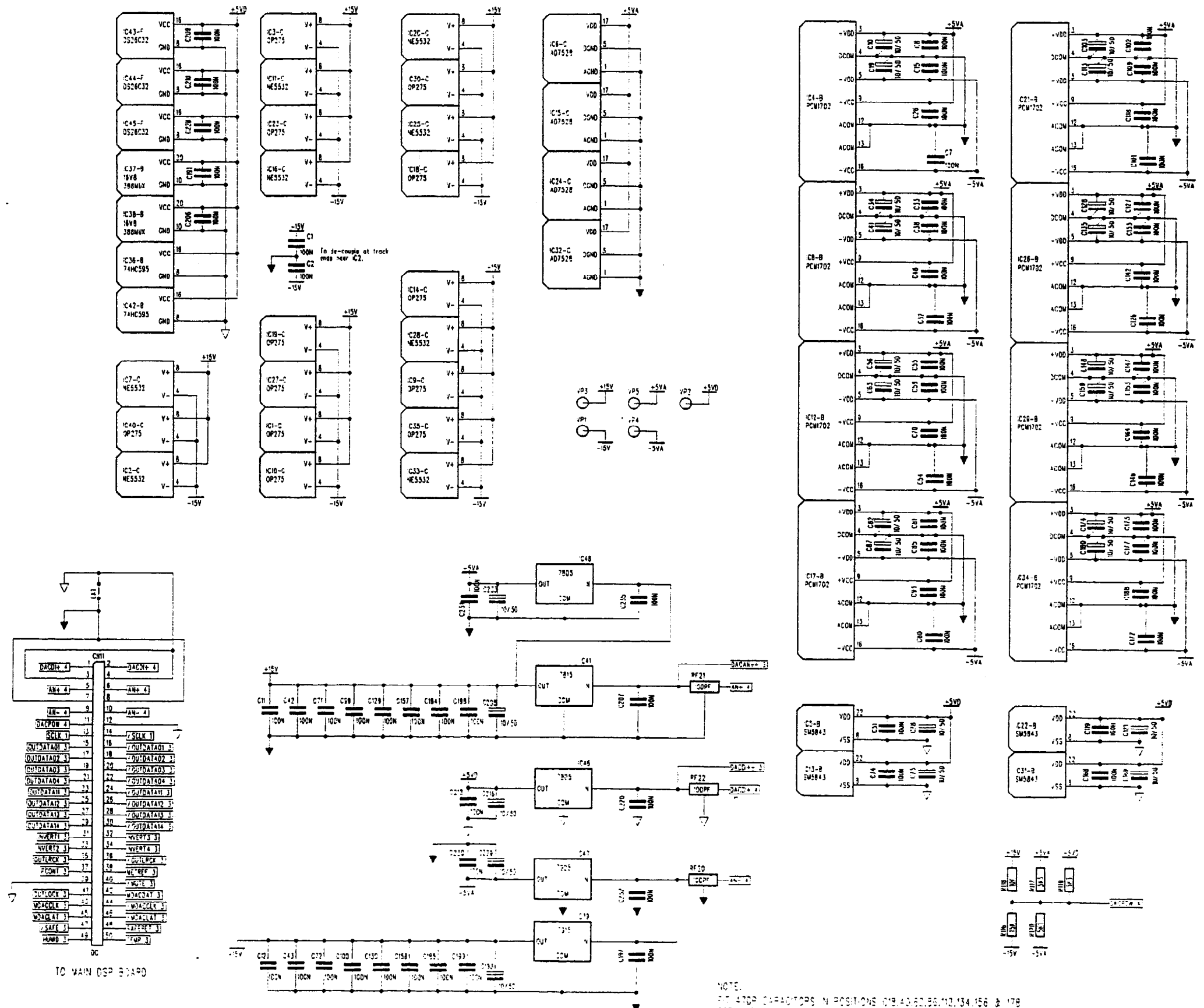
MATERIAL:

FINISH:

ISSUE COMMENTS:

PART NUMBER:

THIS DRAWING IS THE COPYRIGHT OF BSS Audio Ltd. ALL REPRODUCTION AND COPYING, OTHER THAN THAT FOR LICENSED MANUFACTURERS OWN INTERNAL USE, OR DISCLOSURE OF PART OR WHOLE TO A THIRD PARTY WITHOUT PRIOR WRITTEN AUTHORIZATION IS A VIOLATION OF THE COPYRIGHT.
 © BSS Audio Ltd 1994



NOTE:
 FIT 470P CAPACITORS IN POSITIONS C18, 40, 60, 80, 102, 134, 156 & 178 FOR LMS TOO ASSEMBLY ONLY

