

8

7

6

5

4

3

2

1

THESE DRAWINGS AND SPECIFICATIONS ARE THE PROPERTY OF JBL INCORPORATED THEY ARE ISSUED IN STRICT CONFIDENCE AND SHALL NOT BE REPRODUCED, COPIED, OR USED AS THE BASIS FOR MANUFACTURING OR SALE OF APPARATUS WITHOUT WRITTEN PERMISSION.

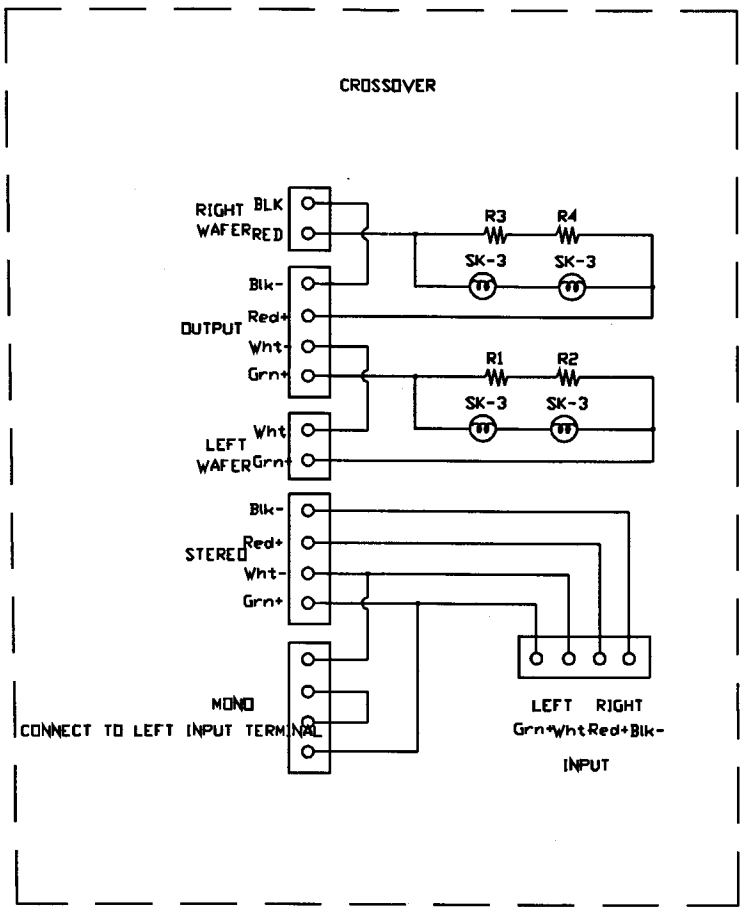
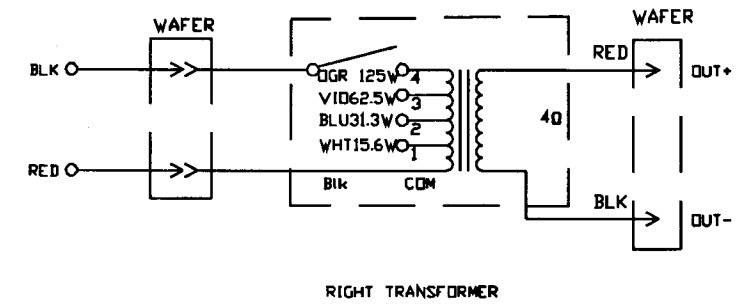
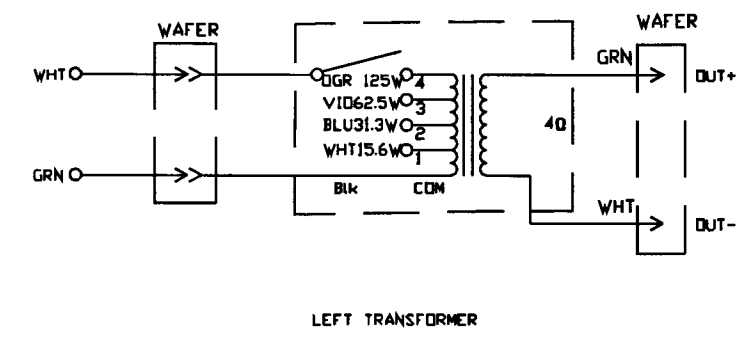
ALL MATERIAL SPECIFIED ON THIS DRAWING SHALL COMPLY WITH EUROPEAN DIRECTIVE 2002/95/EC. **RoHS**

| REVISIONS | | | | | |
|-----------|-----|------------------------|-----|--------------------|------------|
| CHG | LTR | DESCRIPTION | DFT | CHK | DATE |
| 32756 | A | RELEASE FOR PRODUCTION | FL | <i>[Signature]</i> | 2006.04.21 |

| PART NO | DESCRIPTION |
|------------|-----------------------------|
| 363621-001 | SCHEMATIC & BOM, MTC-SB210T |

| ISS. NO. | ISS. ANNA | DATE | CHANGER | CHECKED |
|----------|-----------|------------|---------|---------|
| 01 | SAMPLE | 2006.04.21 | | |

SCHEMATIC DIAGRAM



| | | | | | |
|---|-----------|-----------|-------------------|----------------------------|-------------|
| ITEM NO: | MATERIAL: | TRANSACT: | UNIT: mm | PART NO: | LP0602009 |
| DRAWN: | CHECKED: | APPROVED: | CUSTOMER: 雅式 | DATE: 2006.04.21 | SCALE: |
| DA LING SHAN LIGHTION ELECTRONIC FACTORY. | | | TITLE: MTC-SB210T | DOCUMENT NO. ET-01-21-xxxx | ISS. NO. 01 |
| | | | PAGE: 1 OF 3 | | |

NOTES: (UNLESS OTHERWISE SPECIFIED)

UNCONTROLLED COPY

MODELS
SB210T

| ITEM | PART NO. | DESCRIPTION | REMARKS/REF P/N'S |
|--|----------|---|-------------------|
| TOLERANCES UNLESS OTHERWISE SPECIFIED XXX ± .005 INCH XX ± .010 INCH X ± .020 INCH FRACTIONAL ± 1/32 ANGULAR ± 30° | | | |
| DRAWN BY: FL DATE: 09/18/06 | | JBL Professional A Harman International Company Northridge, California 91329, U.S.A. | |
| TITLE: SCHEMATIC & BOM | | PART NO.: 363621 | |
| SCALE: 1:2 | | SHEET 1 OF 3 | |

THESE DRAWINGS AND SPECIFICATIONS ARE THE PROPERTY OF JBL INCORPORATED THEY ARE ISSUED IN STRICT CONFIDENCE AND SHALL NOT BE REPRODUCED, COPIED, OR USED AS THE BASIS FOR MANUFACTURING OR SALE OF APPARATUS WITHOUT WRITTEN PERMISSION.

| REVISIONS | | | | | | |
|-----------|-----|-----------------------------|------|-----|---------|------|
| CHG | LTR | DESCRIPTION | DRFT | CHK | DATE | APPR |
| | | SEE SHEET 1 FOR INFORMATION | | | 9-21-06 | RL |


| LIST OF MATERIAL | | |
|------------------|----------------|---|
| Q'TY | ITEM | DESCRIPTION |
| 1 | PCB1 | 115x97x1.6mm BAKELITE 94V0 |
| 3 | RESISTOR | R1,2,3 2R/10W J PRVB |
| 8 | SINGLE PIN | BR236143-A (2x10mm) |
| 4 | BULB | SK-3 |
| 4 | SCREW | BMS M3x6mm 五彩 |
| 4 | RUBBER STAND | P/N:WS4-3 尼龍華司 |
| 2 | CONNECTOR | P/N:VH3.96 (4PINx90° WHT) |
| 1 | | P/N:VH3.96 (4PINx180° WHT) |
| 1 | | P/N:VH3.96 (4PINx180° BLK) |
| 1 | | P/N:VH3.96 (2PINx180° WHT) |
| 1 | PCB2 | 45x40x1.6mm CEM-1 |
| 4 | SCREW | BMS M3x6mm 五彩 |
| 1 | 固定片 | 48x26x2mm |
| 1 | ROTARY SW | P/N:RS003-044BAC-15K3Q |
| 2 | CONNECTOR | P/N:VH3.96 (5PINx180° WHT) |
| 1 | | P/N:VH3.96 (4PINx180° WHT) |
| 1 | X'SSY | P/N:SCD90036EC07 |
| 1 | | P/N:SCD9836EC06 |
| 2 | 橡膠墊 | 90x85x1.5mm BLK |
| 1 | 橡膠塞 | 橡膠黑色 |
| 8 | NUT | M5x8mm HEAD BLK |
| | WIRE | UL1015 #16AWG WIRE |
| 1 | | 4PIN(WHT)+GRN,WHT,RED,BLK 310mm+4PIN(WHT) |
| 1 | | 4PIN(WHT)+RED,BLK,GRN,WHT 160mm |
| 1 | | +T187F(STS/0.8) W/SLEEVE187x4 |
| 1 | | 4PIN(BLK)+GRN,WHT,RED,BLK 610mm |
| 1 | | +T205F x2 T110F x2 W/SLEEVE |
| 1 | PLASTIC SPACER | COLOR YEL |
| 1 | PLATE | 350x168mm SPCC 2.5t +烤黑漆+灌點+15支螺柱 |
| 1 | PC LABEL | 350x168x0.25mm BLK/WHT絲印(3M膠) |
| 1 | | 透明PC 印刷MONO |
| 1 | | 透明PC 印刷STEREO |
| 1 | TERMINAL CUP | JBL CUP 64x64mm |

| LIST OF MATERIAL | | |
|------------------|-----------|----------------------------|
| Q'TY | ITEM | DESCRIPTION |
| 8 | SCREW | FTS-2 3x10mm BLK |
| 2 | | BLK 滾花 M4x18mm |
| 3 | CABLE TIE | CV-120 |
| 1 | WASHER | OD:12mm,ID:6.5mm,T:1mm BLK |

| | | | | |
|---|-----------|-----------|----------------------------|--------------------|
| ITEM NO: | MATERIAL: | TRANSACT: | UNIT: mm | PART NO: LP0602009 |
| DRAWN: | CHECKED: | APPROVED: | CUSTOMER: 雅式 | DATE: 2006.04.21 |
| DA LING SHAN LIGHTION ELECTRONIC FACTORY. | | | TITLE: MTC-SB210T | SCALE: |
| | | | DOCUMENT NO: ET-01-21-xxxx | ISS. NO: 01 |
| | | | PAGE 2 OF 3 | |

NOTES: (UNLESS OTHERWISE SPECIFIED)

UNCONTROLLED COPY

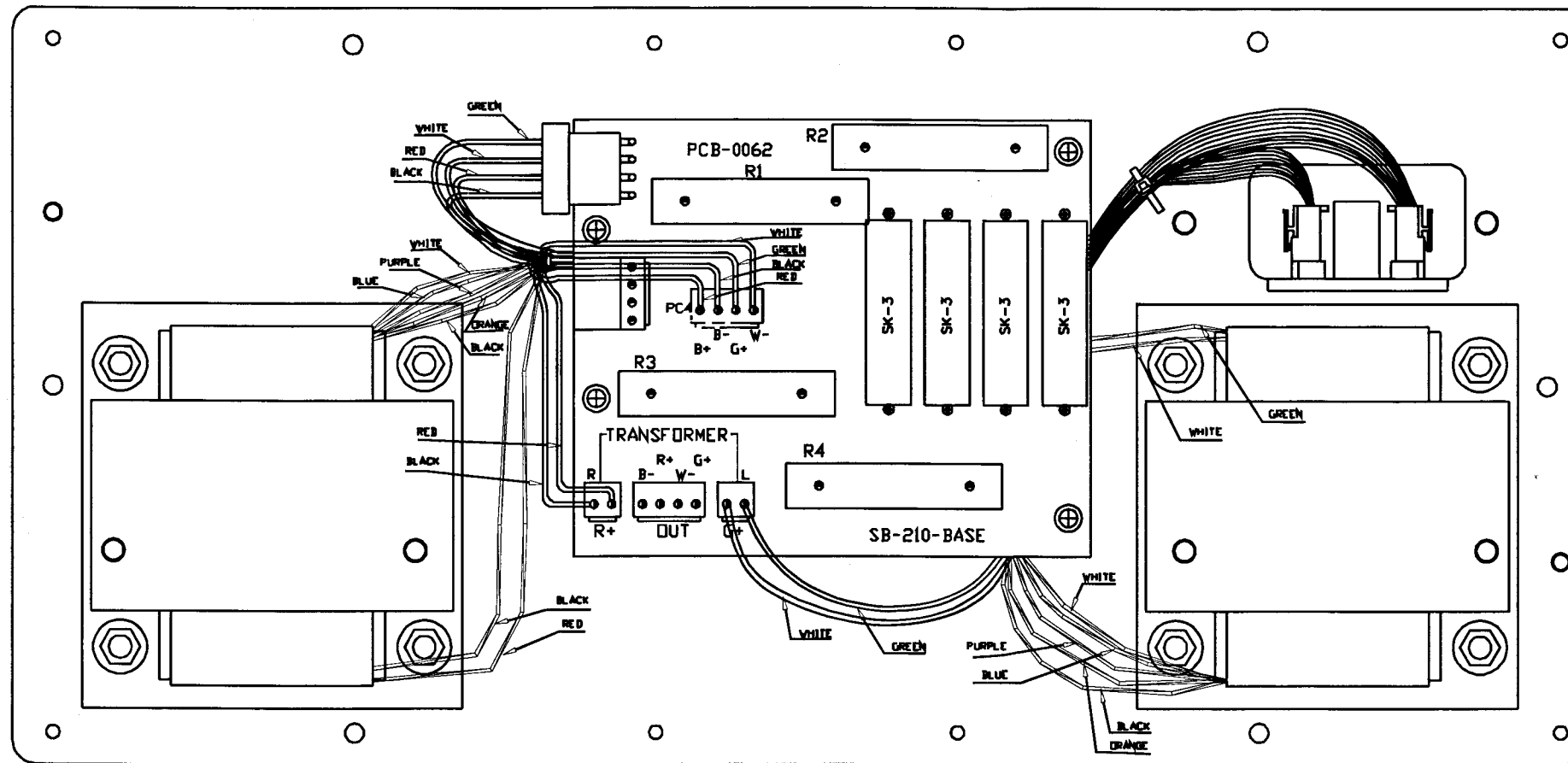
| | | |
|---|--------------------|--------|
| REMARKS/REF P/N'S | | |
|  JBL Professional A Harman International Company Northridge, California 91329, U.S.A. | | |
| TITLE: SCHEMATIC & BOM | | |
| SIZE: D | DRAWING NO: 363621 | REV: A |
| SCALE: 1:2 | SHEET 2 OF 3 | |

8 7 6 5 4 3 2 1

THESE DRAWINGS AND SPECIFICATIONS ARE THE PROPERTY OF JBL INCORPORATED THEY ARE ISSUED IN STRICT CONFIDENCE AND SHALL NOT BE REPRODUCED, COPIED, OR USED AS THE BASIS FOR MANUFACTURING OR SALE OF APPARATUS WITHOUT WRITTEN PERMISSION.

| REVISIONS | | | | | | |
|-----------|-----|-----------------------------|------|-----|---------|------|
| CHG | LTR | DESCRIPTION | DRFT | CHK | DATE | APPR |
| | | SEE SHEET 1 FOR INFORMATION | | | 9-21-06 | SET |

COMPONENT ASSEMBLY



| | | | | | |
|---|-----------|-----------|-------------------|----------------------------|-------------|
| ITEM NO: | MATERIAL: | TRANSACT: | UNIT: mm | PART NO: | LP0602009 |
| DRAWN: | CHECKED: | APPROVED: | CUSTOMER: 雅式 | DATE: 2006.04.21 | SCALE: |
| DA LING SHAN LIGHTION ELECTRONIC FACTORY. | | | TITLE: MTC-SB210T | DOCUMENT NO: ET-01-21-xxxx | ISS. NO: 01 |
| | | | | PAGE: 3 OF 3 | |

NOTES: (UNLESS OTHERWISE SPECIFIED)

UNCONTROLLED COPY

| | | | |
|--|--------------------|--------|--|
| REMARKS/REF: P/N'S | | | |
| JBL Professional A Harman International Company Northridge, California 91329, U.S.A. | | | |
| TITLE: SCHEMATIC & BOM | | | |
| SIZE: D | DRAWING NO: 363621 | REV: A | |
| SCALE: 1:2 | SHEET 3 OF 3 | | |