

THESE DRAWINGS AND SPECIFICATIONS ARE THE PROPERTY OF JBL INCORPORATED THEY ARE ISSUED IN STRICT CONFIDENCE AND SHALL NOT BE REPRODUCED, COPIED, OR USED AS THE BASIS FOR MANUFACTURING OR SALE OF APPARATUS WITHOUT WRITTEN PERMISSION.

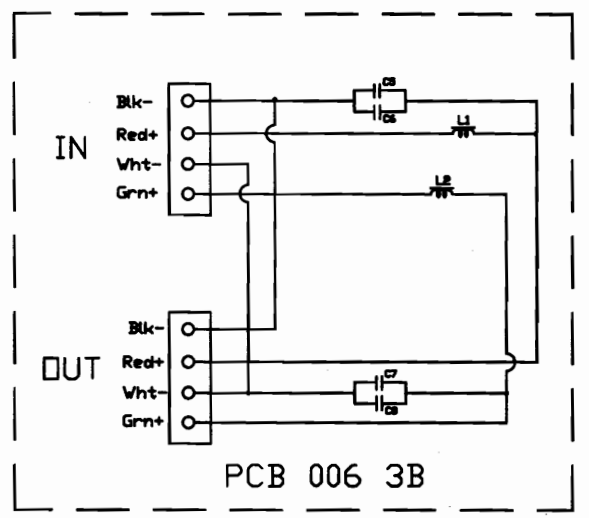
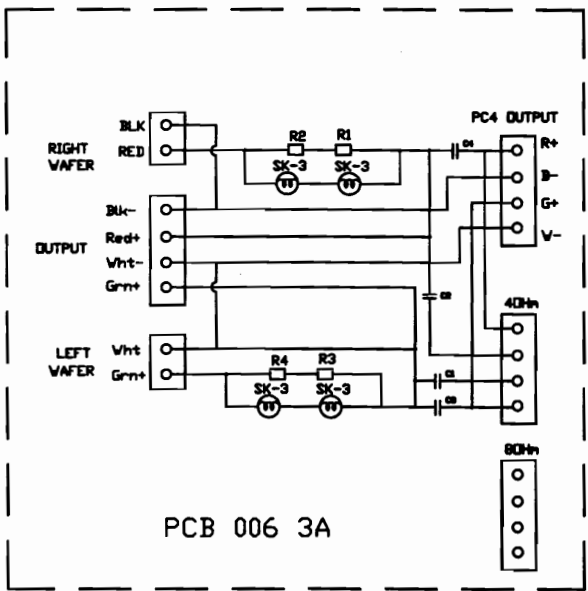
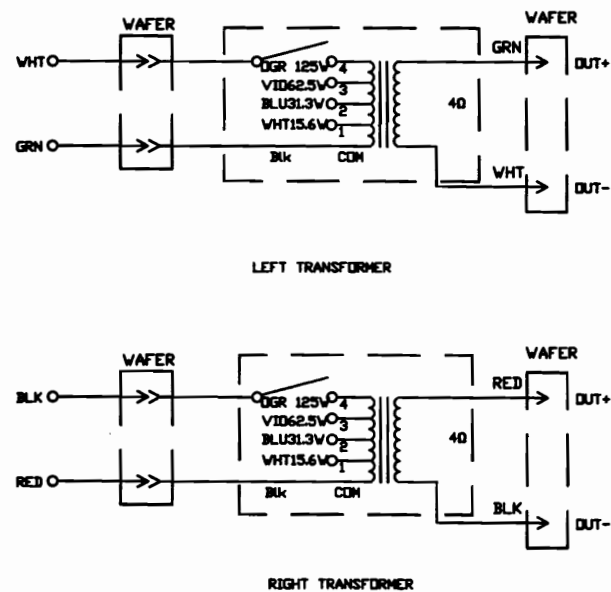
ALL MATERIAL SPECIFIED ON THIS DRAWING SHALL COMPLY WITH EUROPEAN DIRECTIVE 2002/95/EC. **RoHS**

PART NO	DESCRIPTION
445711-001	SCHEMATIC, MTC-SB210T-SAT

REVISIONS						
CHG	LTR	DESCRIPTION	DRFT	CHK	DATE	APPR
39881	A	RELEASE FOR PRODUCTION	FL		11/23/10	JL

ISS. NO.	ISS. ANNL	DATE	CHANGER	CHECKED
01	SAMPLE	2005.06.17		

SCHEMATIC DIAGRAM



ITEM NO:	MATERIAL:	TRANSACT:	UNIT: mm	PART NO.:	LP0405005
DRAWN:	CHECKED:	APPROVED:	CUSTOMER:	DATE:	SCALE:
			雅式	2005.06.17	
DA LING SHAN LIGHTION ELECTRONIC FACTORY.			TITLE:	MTC-SB210T-SAT	
			DOCUMENT NO.:	ISS. NO.:	PAGE:
			ET-01-21-xxxx	01	1 OF 4

UNCONTROLLED COPY

NOTES: (UNLESS OTHERWISE SPECIFIED)

<p>TOLERANCES (UNLESS OTHERWISE SPECIFIED)</p> <p>XXX ± .005 INCH XX ± .010 INCH X ± .020 INCH FRACTIONAL ± 1/32 ANGULAR ± 30°</p>	<p>DATE: 11/23/10</p> <p>SCALE:</p>	<p>JBL Professional A Harman International Company Northridge, California 91329, U.S.A.</p> <p>TITLE: SCHEMATIC</p>
<p>MODELS: MTC-SB210T-SAT</p> <p>THIRD ANGLE PROJECTION</p>	<p>DATE: 11/23/10</p> <p>SCALE:</p>	<p>DRWG NO: 445744</p> <p>REV: A</p>